

F I S H E R & P A Y K E L

**ACTIVESMART™ INTEGRATED
FRENCH DOOR REFRIGERATOR FREEZER**

RS36A80 models

INSTALLATION GUIDE

US CA

844183B 06.19

CONTENTS

- ① SAFETY AND WARNINGS
- ② COMPONENTS
- ③ TOOLS
- ④ APPLIANCE AND CAVITY DIMENSIONS
- ⑤ CABINETY OPTIONS
- ⑥ STAINLESS STEEL DOOR PANEL AND TOE KICK DIMENSIONS
- ⑦ CUSTOM DOOR PANEL AND TOE KICK DIMENSIONS
- ⑧ CUSTOM DOOR PANEL INSTALLATION DIMENSIONS
- ⑨ CUSTOM DOOR PANEL INSTALLATION TEMPLATE
 - ⑩ DOOR CLEARANCE
 - ⑪ ELECTRICAL AND PLUMBING
 - ⑫ BEFORE INSTALLATION
 - ⑬ CAVITY PREPARATION
- ⑭ WATER AND POWER SUPPLY CONNECTION
 - ⑮ TOP TRIM INSTALLATION
 - ⑰ POSITIONING INTO CABINETY
 - ⑱ ALIGNING INSIDE CABINETY
- ⑲ DOOR PANEL INSTALLATION - STAINLESS STEEL OR ⑳ DOOR PANEL INSTALLATION - CUSTOM
- ㉑ FIXING TO CABINETY
- ㉒ WATER FILTER INSTALLATION
- ㉓ TOE KICK INSTALLATION
- ㉔ DOOR AND DOOR TRIMS INSTALLATION
- ㉕ CABINET TRIMS INSTALLATION
— [A] FLEXIBLE SPRING CLIP METHOD OR ㉖ CABINET TRIMS INSTALLATION
— [B] FIXED SCREW METHOD
- ㉗ FINAL CHECKLIST

IMPORTANT! SAVE THESE INSTRUCTIONS

The models shown in this installation guide may not be available in all markets and are subject to change at any time. For current details about model and specification availability in your country, go to our website fisherpaykel.com or contact your local Fisher & Paykel dealer.

① SAFETY AND WARNINGS

⚠ WARNING!



Electric Shock Hazard

Read and follow the safety and warnings outlined in this installation guide before operating this appliance.

Failure to do so can result in death, electric shock, fire or injury to persons.

⚠ WARNING!



Cut Hazard

Take care—panel edges are sharp. Failure to use caution could result in injury or cuts.

⚠ WARNING!



This appliance is top-heavy and must be secured to prevent the possibility of tipping forward.

To ensure that the appliance is stable under all loading conditions, the anti-tip bracket and fittings supplied must be installed according to the following installation instructions by a professional installer.

IMPORTANT!

- It is very important for the installer to follow the instructions in this installation guide to ensure proper installation and operation of the appliance. Ensure that you read the installation guide thoroughly and understand all information.
- The water connection to your Ice and water appliance must be installed by an authorized plumber or Fisher & Paykel trained and supported service technician and comply with all state and local laws.
- Installation and use MUST comply with all state and local plumbing codes. Check with your local public works department for plumbing codes. You must follow their guidelines as you install the water filtration system.
- To avoid serious illness or death, only connect your water filter to safe drinking water.
- The water filter cartridge needs to be changed when the replacement indicator icon illuminates. This will happen every 6 months.
- If the water filtration system has been allowed to freeze, replace filter cartridge. Failure to replace the disposable filter at recommended intervals may lead to reduced filter performance and failure of the filter, causing property damage from water leakage or flooding.
- In cases of excessively reduced filter life—we recommend that you consult a local plumber or your water supplier for advice on suitable filtration requirements for the water supplied to your home.
- Filter replacement is the consumer's responsibility and will not be covered by the warranty except in the case of faulty parts or materials within the filter cartridge.
- If the water has not created ice for some time or ice has an unpleasant taste or odor dispose of ice and refer to the flushing instructions detailed in the installation section of this user guide/installation guide. If unpleasant taste or odor persists, you may wish to fit a new filter cartridge.
- Use new tubing supplied with the appliance. DO NOT reuse old tubing from old water and ice connections.
- Your water filtration system can withstand up to 120psi (827kPa) of water pressure. Ensure the supplied pressure reducing valve is installed before installing the water filtration system. DO NOT install if water pressure exceeds 120psi (827kPa).

To reduce the risk associated with property damage due to water leakage or flooding:

- DO NOT install systems in areas where ambient temperatures may go above 100°F (38°C) or drop below 33°F (0.6°C).
- DO NOT install on hot water supply lines. The maximum operating water temperature of this filter system is 100°F (38°C).
- DO NOT install where water hammer conditions may occur. If water hammer conditions exist, you must install a water hammer arrester.

WARNING!

To reduce the risk associated with choking:

- DO NOT allow children under 3 years of age to have access to small parts during the installation of the water filter.

② COMPONENTS

Internal box (Installation kit)

Located inside the appliance

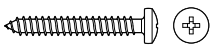
A Anti-tip bracket assembly kit



Anti-tip bracket
(1)



Masonry plug
(4)



10x40 cross-head screw
(4)

E Top trim install kit



Cabinet top trim bracket
(2)



M5 nut
(4)



M5x8 cross-head screw
(4)

B Door panel attachment kit



Side bracket
(10)

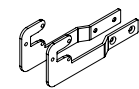


Side strap
(10)

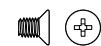


8x16 mush washer (Custom) screw
(36)

F Side bracket install kit



Side base brackets (right/left)
(2)

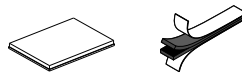


M5x8 countersunk cross-head screw
(4)



M5x10 cross-head screw
(10)

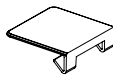
C Door/drawer trim install kit



Dual adhesive tabs (6 per each strip)
(12)



Side cover
(4)



Top cover
(2)

G Fixing bracket install kit



Fixing bracket
(4)



M5x8 countersunk cross-head screw
(8)



Screw cover
(4)



#8x19 twin thread screw
(8)

D Cabinet side trim install kit



Side trim bracket
(6)

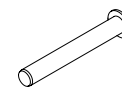


Spring clip
(6)

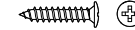


8x16 mush washer screw
(12)

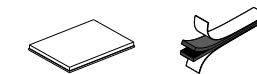
Z Miscellaneous components



Hinge limiting pin
(1)



#8x16 pan head screw
(3)

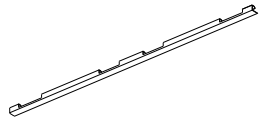


Dual adhesive tabs (6 per each strip)
(6)

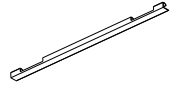
② COMPONENTS

External box

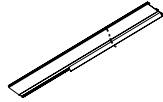
Located at back panel of the appliance



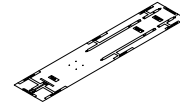
Door side trim
(2)



Drawer side trim
(2)



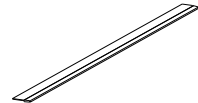
Cabinet side trim
(2)



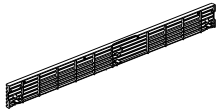
Double-sided door panel template
(1)



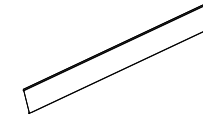
Top trim
(1)



Drawer top trim
(1)



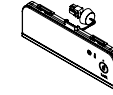
Top grille
(1)



Toe kick
(1)

Ice and Water display

(Ice and Water models only)
Located inside the appliance



External display module
(1)

Miscellaneous items pack

Located inside the appliance



User guide
(1)



Service and Warranty
(1)



Installation guide
(1)



Filter cartridge tool
(1)



Air flow divider
(1)

Water filter install kit

Located inside the appliance



Collet locking clip
(1)



Water filter
(1)



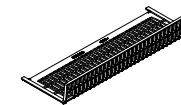
1/4" (6mm) Stainless steel braided
hose with adaptor (1)



Tube adaptor
(1)

Toe kick filter

Located inside the appliance



Toe kick filter
(1)

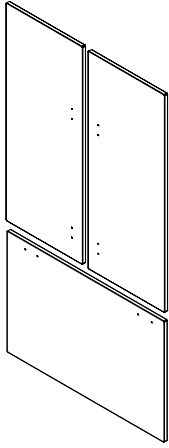
2 COMPONENTS

Door panel set

Not supplied and must be purchased separately

Stainless steel (Fisher & Paykel) door panel set:

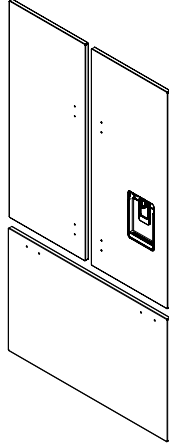
Includes 2x French door panels and 1x drawer panel.



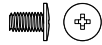
Ice only door panel set
(RD3680/RD3684)



M5x14 mushroom cross-head (SS) screw
(34)



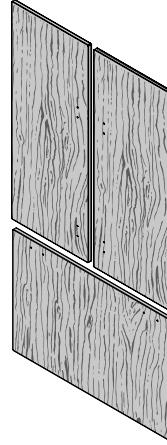
Ice and Water door panel set
(RD3680U/RD3684U)



M5x14 mushroom cross-head (SS) screw
(34)

Custom door panel set:

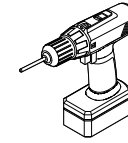
Supplied by customer to match their cabinetry.
Applicable for Ice only appliance models.



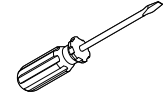
3 TOOLS

Required tools

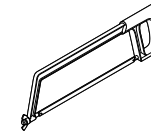
Not included with appliance



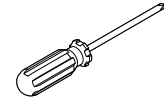
Powered driver



Flathead screwdriver



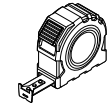
Hacksaw



Cross-head screwdriver



Cutter



Measuring tape



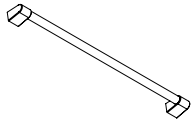
Ruler



Pencil

Door handle kit

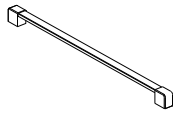
Not supplied and must be purchased separately. Select between the options below:



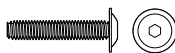
Professional rounded
door handle (3x)



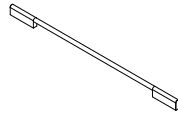
M5x25 pan head socket
screw (12x)



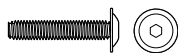
Professional square
door handle (3x)



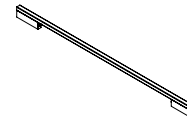
M5x25 pan head socket
screw (12x)



Contemporary round
door handle (3x)



M5x25 pan head socket
screw (12x)



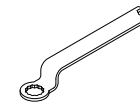
Contemporary square
door handle (3x)



M5x25 pan head socket
screw (12x)

Supplied tools

Included in internal box

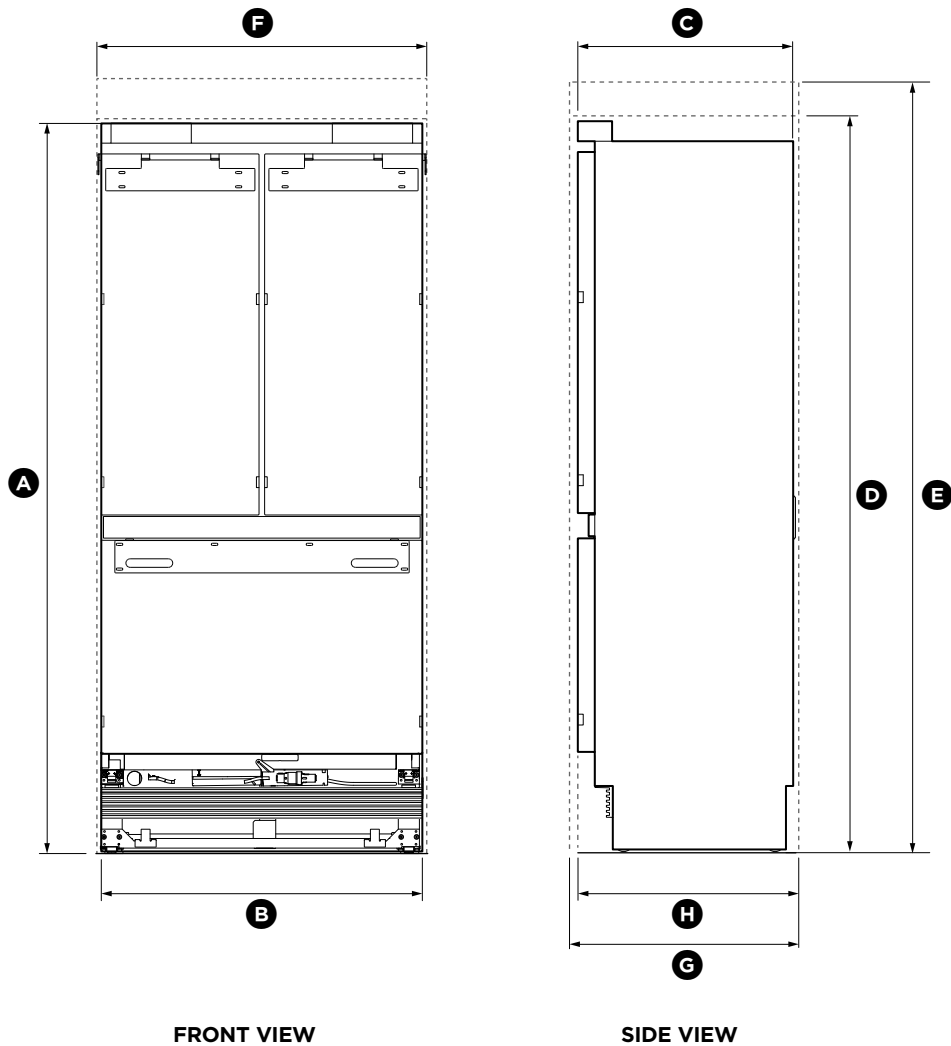


FPA spanner
(1)



Hex key
(1)

④ APPLIANCE AND CAVITY DIMENSIONS



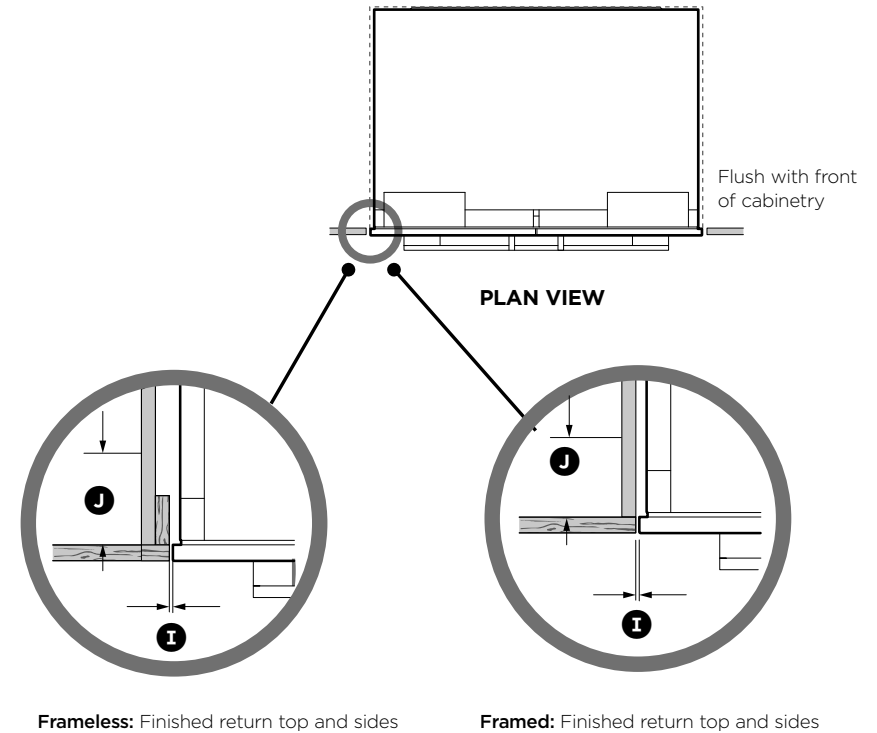
APPLIANCE DIMENSIONS

	inches	mm
Ⓐ Overall height of appliance*	79 13/16	2028
Ⓑ Overall width of appliance	35 11/16	906
Ⓒ Overall depth of appliance (without door panels)	23 3/4	603

* Includes mounted feet

IMPORTANT!

For ease of installation, ensure cavity width is consistent top to bottom and height is consistent left to right.

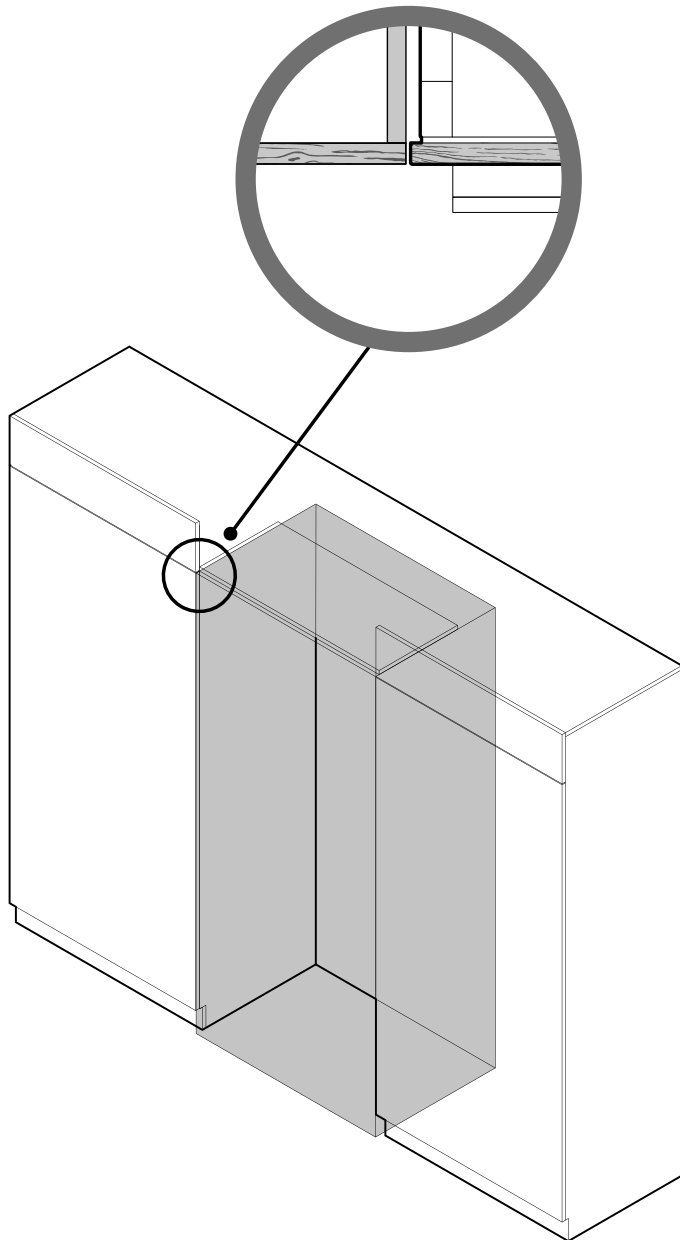


CAVITY DIMENSIONS

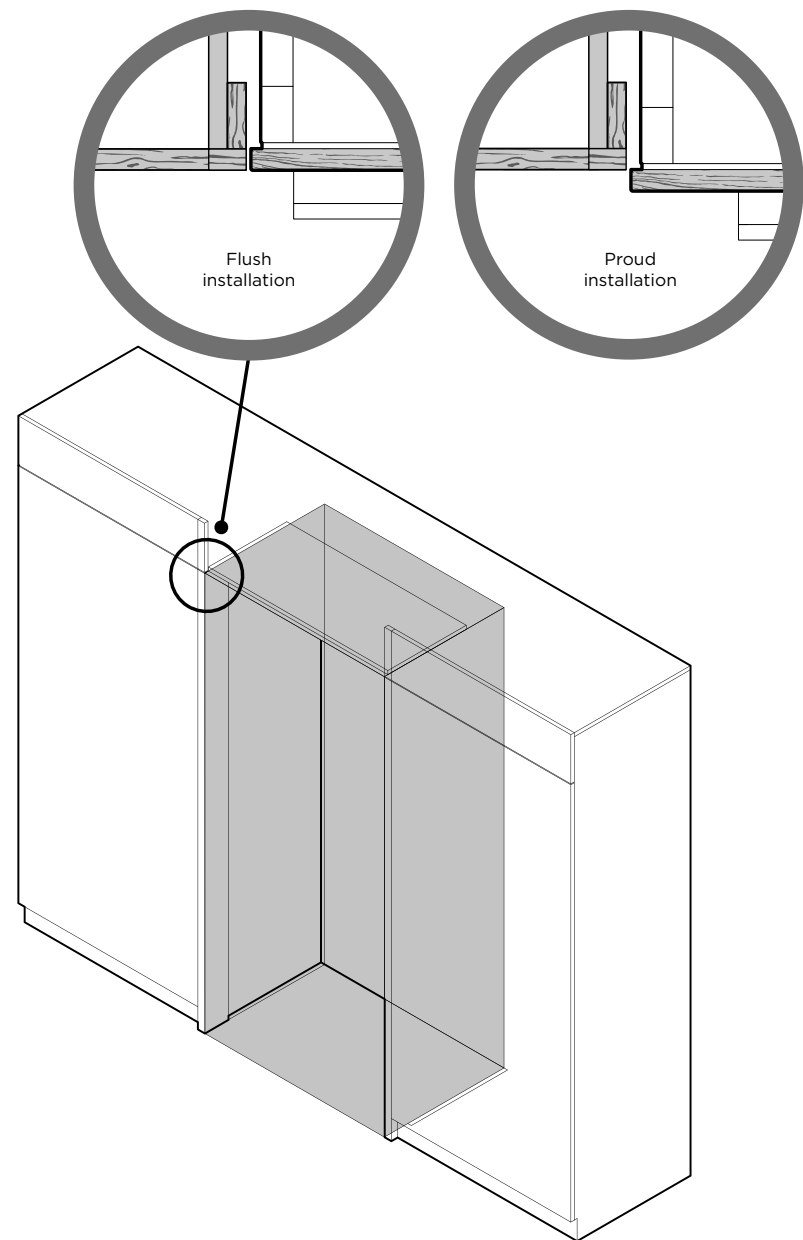
	inches	mm
Ⓓ Overall height of cavity (for appliance using RD3680 door panel set)	80	2032
Ⓔ Overall height of cavity (for appliance using RD3684 door panel set)	84	2134
Ⓕ Overall width of cavity	36	914
Ⓖ Overall depth of cavity (for flush installation)	25	635
Ⓗ Overall depth of cavity (for proud installation)	24 3/4	629
Ⓘ Minimum cabinetry gap clearance from edge of appliance	3/16	4
⓵ Minimum required finished return	min. 3 1/2	89

⑤ CABINETY OPTIONS

FRAMELESS CABINETY
(Aligns the appliance with the cabinetry)

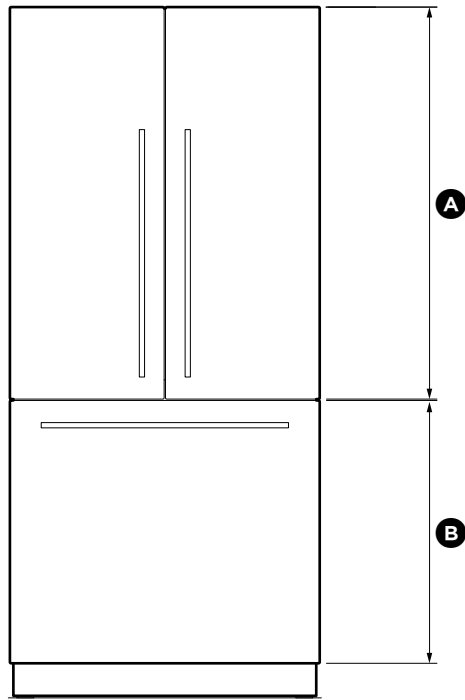


FRAMED CABINETY
(Aligns the appliance with the frame of the cabinetry)

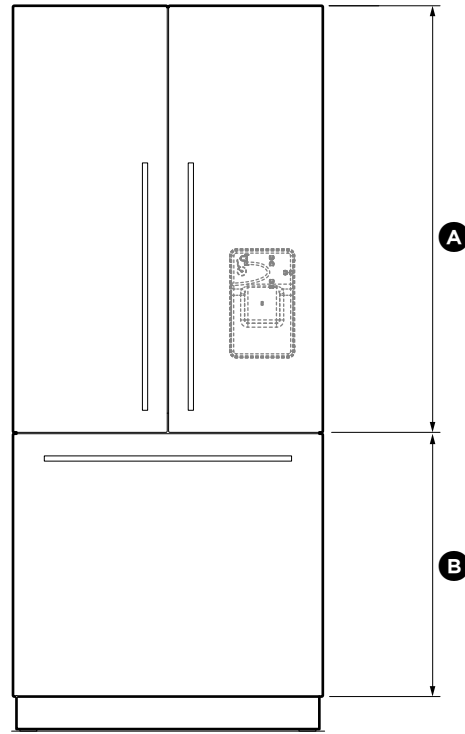


Note: Drawings are only for reference and not the actual cavity width.

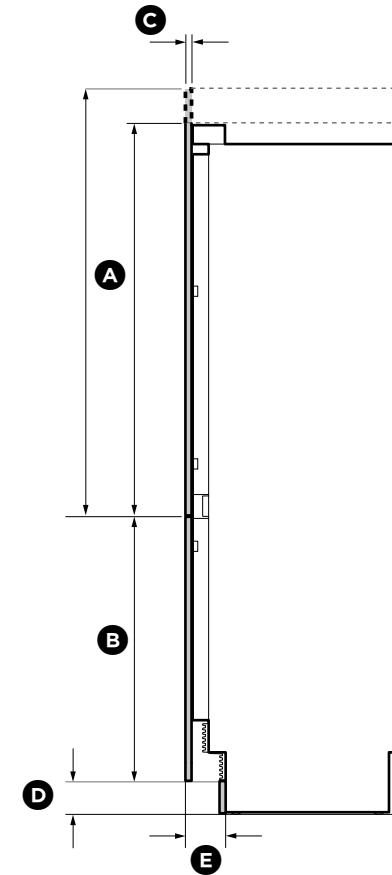
⑥ STAINLESS STEEL DOOR PANEL AND TOE KICK DIMENSIONS



RD3680 DOOR PANEL SET



RD3684U DOOR PANEL SET



DOOR PANEL SETS DIMENSIONS	RD3680/RD3680U		RD3684/RD3684U	
	inches	mm	inches	mm
Ⓐ Height of top door panels	45 1/4	1150	49 5/16	1252
Ⓑ Height of bottom drawer panel	30 3/8	772	30 3/8	772
Ⓒ Depth of appliance front panels (excluding handles)	3/4	19	3/4	19

Note:

- Fisher & Paykel Stainless steel door panels are not supplied and must be purchased separately.
Model no. RD3680/RD3684 (Ice only model) and model no. RD3680U/RD3684U (Ice and Water model).

DOOR PANEL WEIGHT	lbs	kg
Maximum weight of each top door panel (with handle)	22	10
Maximum weight of drawer panel (with handle)	24 1/4	11

TOE KICK PANEL DIMENSIONS	inches	mm
Ⓓ Height of toe kick panel	4	102
Ⓔ Depth of toe kick (measured from front of door panels)	4 3/4	(120)

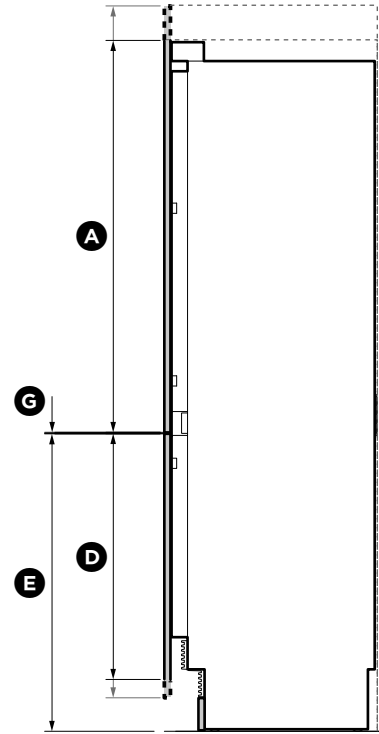
Note:

- Stainless steel toe kick, height 4" (102mm) is supplied with the appliance. Customers need to supply their own custom toe kick, height 4-6" (102-152mm).
- For toe kick greater than 4, shorten the height of the bottom grille accordingly. Refer to 'Toe kick installation' for more information.

⑦ CUSTOM DOOR PANEL AND TOE KICK DIMENSIONS

IMPORTANT!

Custom door/drawer panels are only applicable for Ice only models.

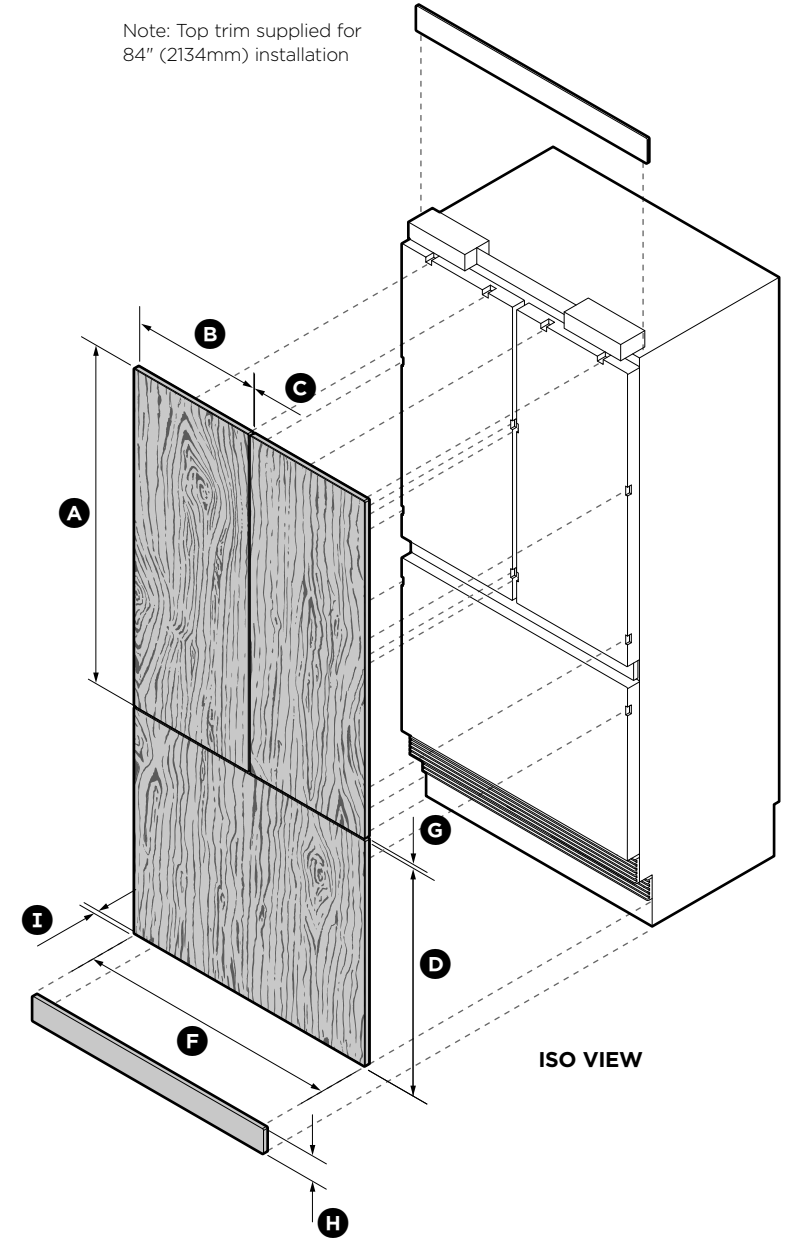


PROFILE VIEW

DIMENSIONS	inches	mm
Ⓐ Height of top door panel	45 1/4 - 49 5/16	1150 - 1252
Ⓑ Width of top door panel	7 3/4	451
Ⓒ Gap between top door panels	3/16	4
Ⓓ Height of bottom drawer panel	28 7/16 - 30 3/8	722 - 772
Ⓔ Height from bottom of appliance to top of bottom drawer panel	34 7/16	874
Ⓕ Width of bottom drawer panel	35 11/16	906
Ⓖ Gap between top door panels and bottom drawer panel	3/16	4
Ⓗ Height of toe kick panel	4 - 6	102 - 152
Ⓘ Depth of custom door panels	5/8 - 3/4	16 - 19

- Note:
- Custom door panels and toe kick must be supplied by the customer.
 - Custom toe kick should be designed at 4-6" (102-152mm) relative to door/drawer panel height.
 - For toe kick greater than 4, shorten the height of the bottom grille accordingly. Refer to 'Toe kick installation' for more information.

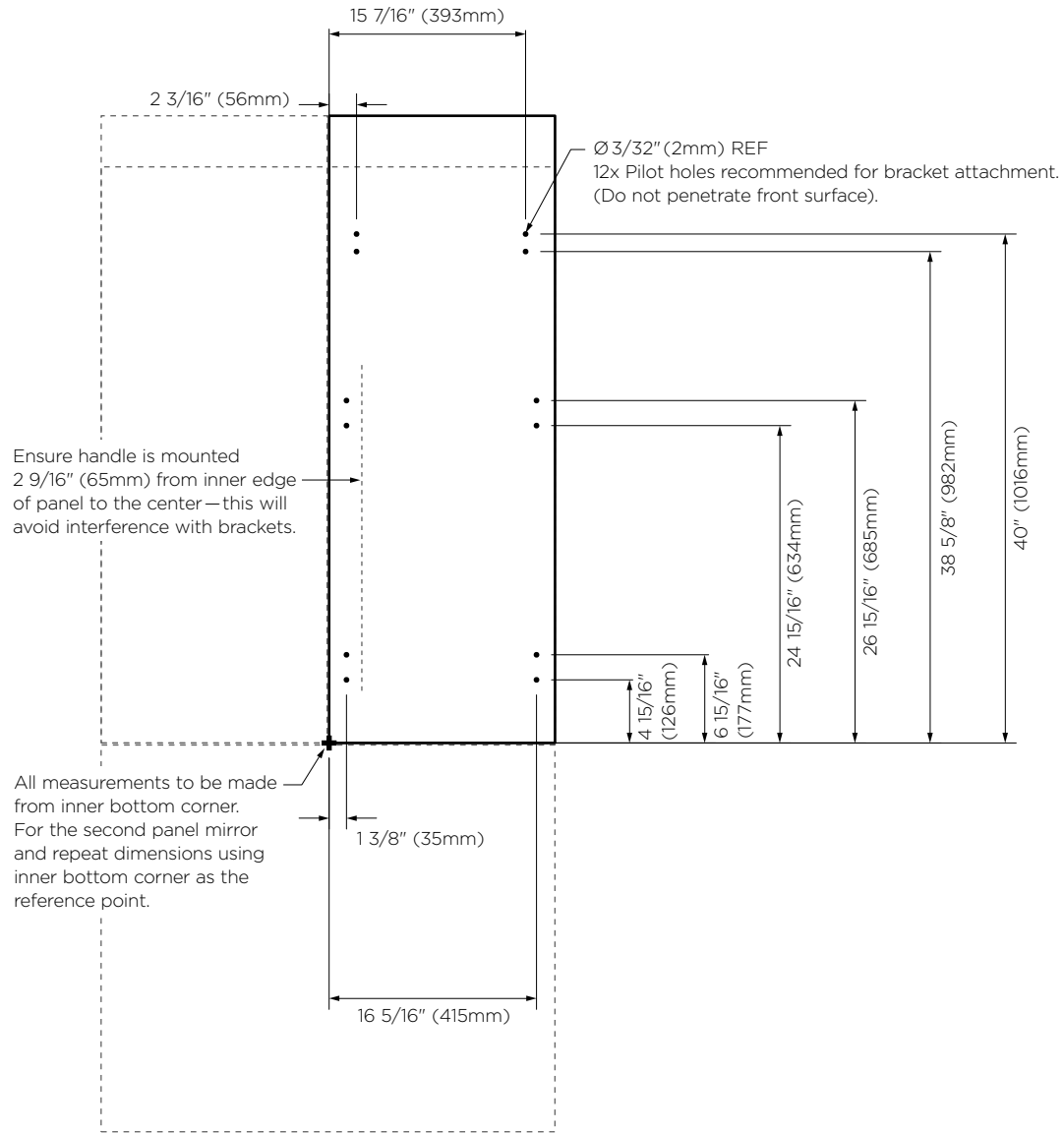
Note: Top trim supplied for 84" (2134mm) installation



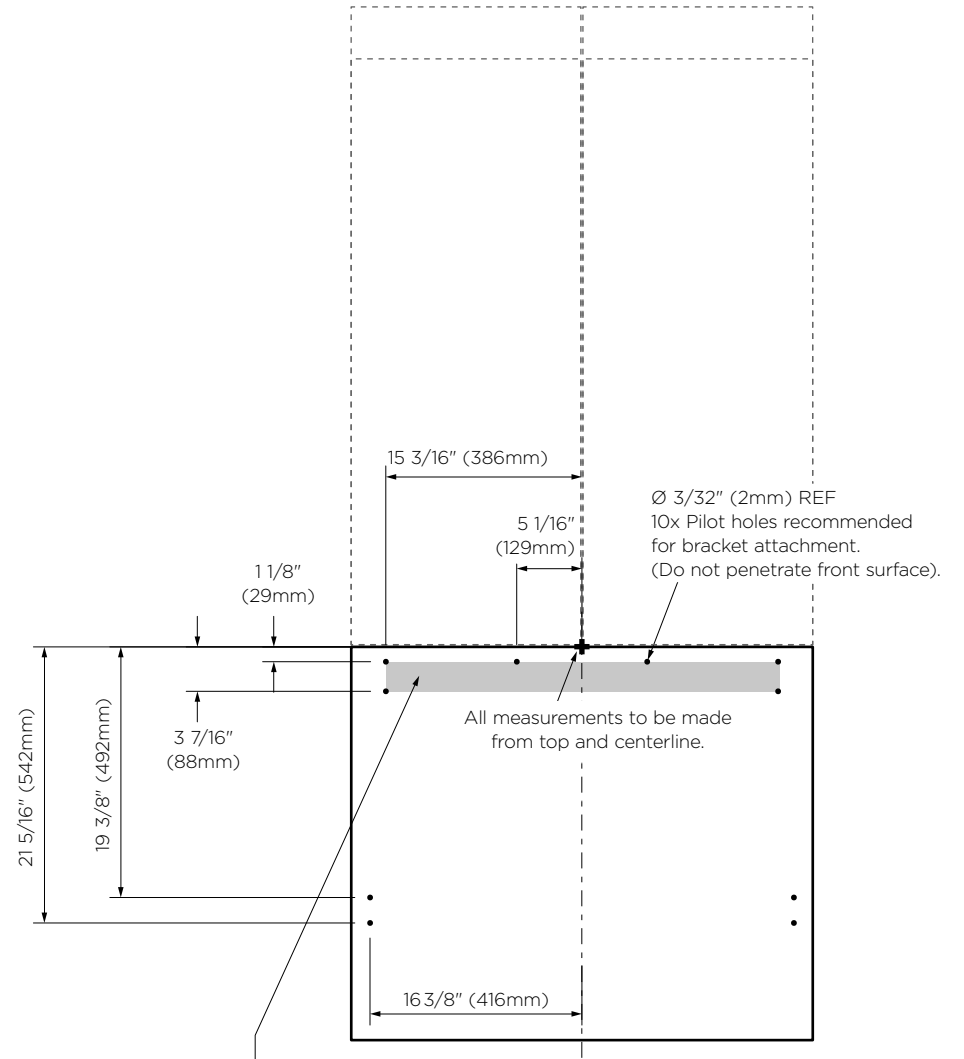
ISO VIEW

8 CUSTOM DOOR PANEL INSTALLATION DIMENSIONS

The drawings below apply to Ice-only models RS36A80J. Dimensions apply for the preparation and installation of custom door panels. For Dwg and Dxf files of the below panel preparation download the folder on thekitchentools.fisherpaykel.com.



TOP PANEL — REAR VIEW

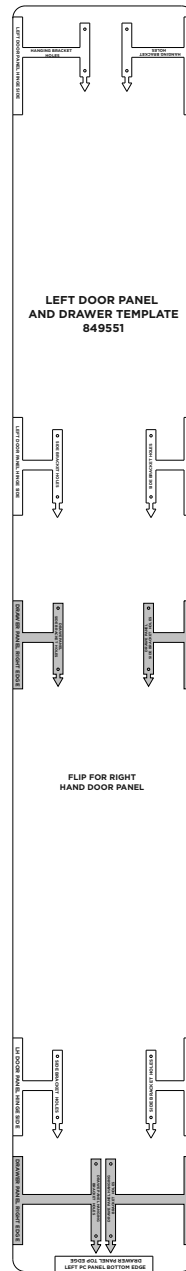


BOTTOM PANEL — REAR VIEW

9 CUSTOM DOOR PANEL INSTALLATION TEMPLATE

This template is a double-sided sheet used as a guide to drill screw holes for installing your Custom door and drawer panels. The actual template is included with this installation guide.

Refer to 'Door panel installation – Custom' (page 32) for more information.

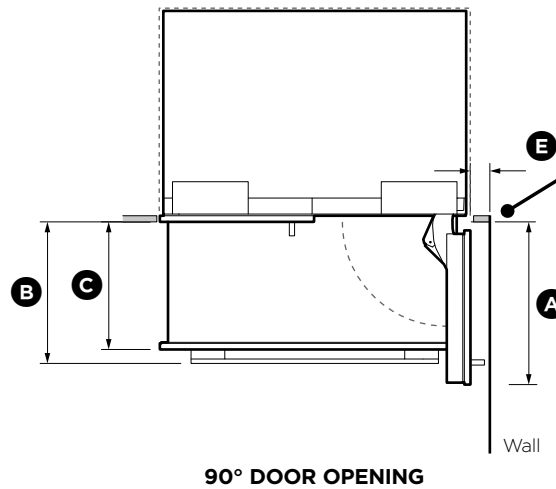
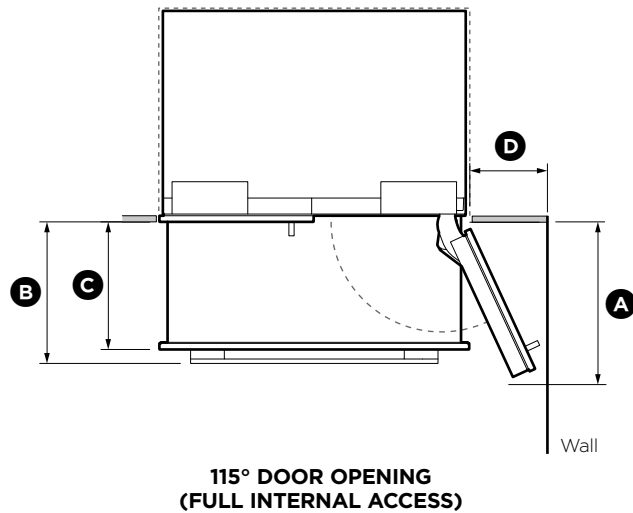


**LEFT DOOR
PANEL SIDE**



**RIGHT DOOR
PANEL SIDE**

10 DOOR CLEARANCE



Insert hinge limiting pin

WARNING!

- Before opening the doors, ensure that the appliance is stable.
- Follow these steps to avoid risks that can cause serious injury or death.

For 90° door swing, a hinge limiting pin is supplied with your appliance. This pin fits in the boreholes of the top hinge.

- ① Open door to 90°.
- ② Insert the hinge limiting pin vertically into the bore hole.
 - Apply a gentle tap to the pin if it does not slide smoothly.

DIMENSIONS	inches	mm
Ⓐ Depth of door (widest opening) measured from front of door	18 7/8	480
Ⓑ Depth of drawer (open) measured from front of drawer, including handle	15 3/4	400
Ⓒ Depth of drawer (open) measured from front of drawer, excluding handle	14 3/16	360
Ⓓ Minimum door clearance* to adjacent wall (115° — full internal access)	12 3/8	315
Ⓔ Minimum door clearance* to adjacent wall (90° — reduced internal access)	4 5/16	110

* Measured from front cabinetry edge. An additional 3/4" (20mm) is required when using RD3680 and RD3684 door panel sets.

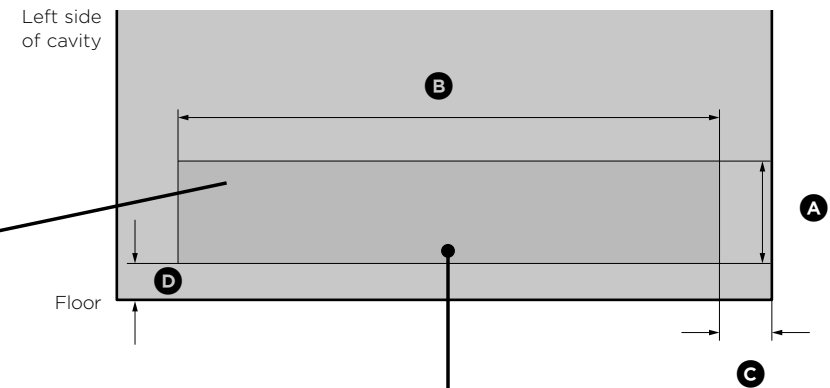
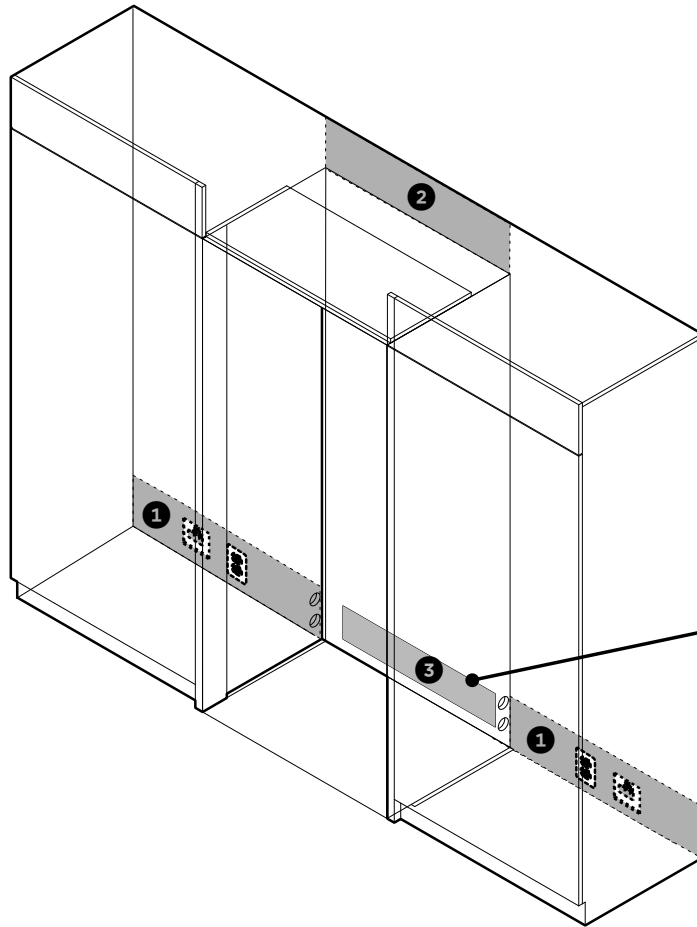
11 ELECTRICAL AND PLUMBING

IMPORTANT!

- Electrical connection should be located in an adjacent cabinet to either side of the appliance or above the appliance cavity.
- We recommend to use an isolating switch that is easily accessible to the user after the appliance is installed.

WARNING!

- Electrical shock hazard. Assume all parts are live.
- Disconnect supply before servicing and installation.



Electrical and water connections must be within this space if located behind the appliance

ELECTRICAL AND PLUMBING CONNECTIONS

- ① Recommended location for connections in adjacent area or unit
- ② Alternative location for connections above the cavity
- ③ Alternative location for connections at rear of cavity

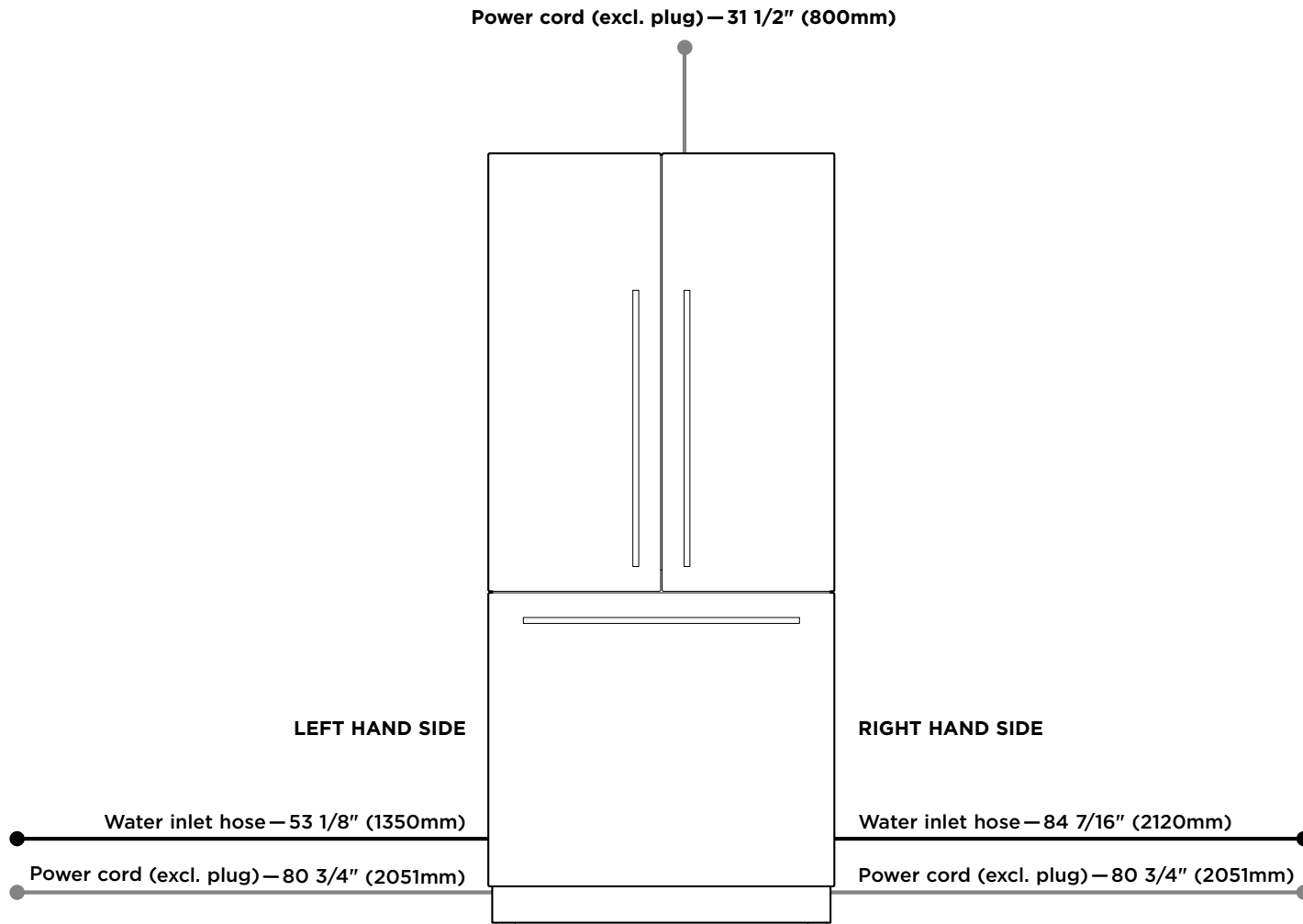
ELECTRICAL AND PLUMBING DIMENSIONS

	inches	mm
Ⓐ Overall height of supply area	5 5/8	143
Ⓑ Overall width of supply area	29 3/4	756
Ⓒ Distance from right side of cavity	2 7/8	73
Ⓓ Distance from the floor	2	51

Note: Dimensions are based on minimum depth of cavity.

⑪ ELECTRICAL AND PLUMBING

Maximum distance of hose and power cord



ELECTRICAL SPECIFICATIONS

Supply	115 V CA, 60 Hz
Service	10 ampères

PLUMBING SPECIFICATIONS

Supply	1/4" (6mm) comp. Stainless steel braided hose
Pressure	min. 22 psi (150 kPa) max. 120 psi (827 kPa) @ 68 °F (20 °C)

IMPORTANT!

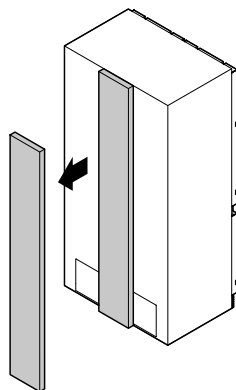
- Be careful when unpacking to prevent damage to the surface of your appliance.
- Ensure that the appliance is stable to prevent from tipping over when unpacking.
- Do not open the doors to prevent the appliance from tipping over.
- The appliance is heavy and requires a minimum of 2 persons to unpack and install.

- Ensure that the feet of the appliance are retracted.
- If the appliance is damaged, contact your Fisher & Paykel dealer.
- Take note of your model and registration numbers located at the lower right side of the appliance. You will need these to request for servicing or repair of your appliance.

Checking your appliance

- ① Remove accessories box located at the back panel of appliance.

Refer to 'Components list' for contents of accessories box.



IMPORTANT!

Be aware when removing the carton that the accessories box may have dislodged from the rear of the appliance during transit.

- ② Remove the water fittings and water filter kits, installation kit, and miscellaneous items pack from inside the appliance.

Refer to 'Components list'.



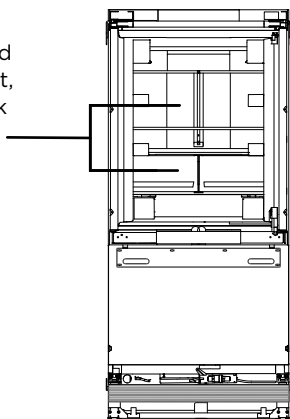
Water fittings and Water filter kits



Installation kit



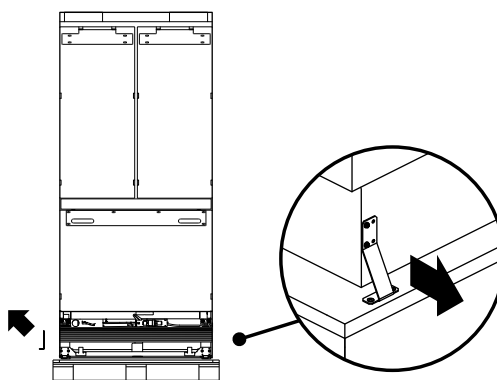
Miscellaneous items pack



Moving your appliance

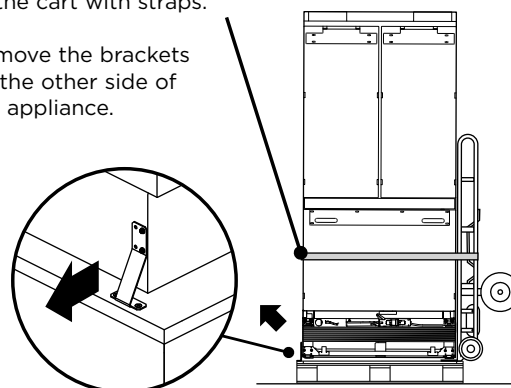
- ① Remove the brackets from one side of the appliance. (For single door models, remove the brackets on the non-hinged side of the appliance).

Note: Location of brackets depends on the model of your appliance.



- ④ Restrain the appliance to the cart with straps.

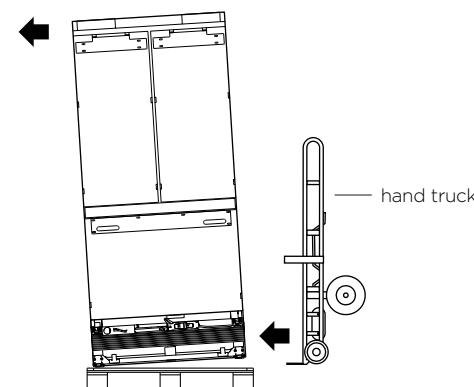
- ⑤ Remove the brackets on the other side of the appliance.



- ② Tilt the appliance slightly to the opposite side.

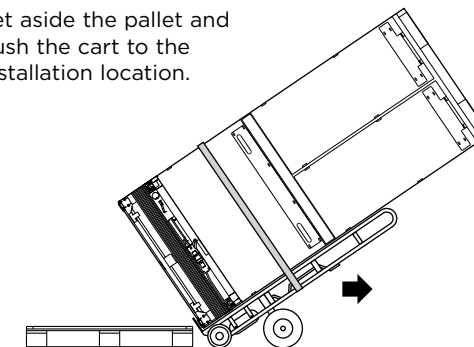
- ③ Insert the hand truck under the side of the appliance where the brackets were removed.

Do NOT insert the hand truck to the front or back of the appliance.



- ⑥ Tilt the appliance backward onto the cart.

- ⑦ Set aside the pallet and push the cart to the installation location.



IMPORTANT!

- The appliance has front and rear rollers for moving the appliance forward and backward. Do not move the appliance sideways to avoid damaging the rollers or the floor covering/surface.
- The appliance must be installed by a qualified installer, or Fisher & Paykel trained and supported service technician to avoid faulty electrical connection and water leaks.
- All connections for water, electrical power and grounding must comply with local codes and ordinances and be made by licensed personnel when required.
- Avoid installation of the appliance/s under a ground fault circuit interrupter (GFCI).
- Ensure the appliance is installed properly. Improper installation that results in appliance failure is not covered under the appliance warranty.

Check installation location

① **Check the cabinetry**

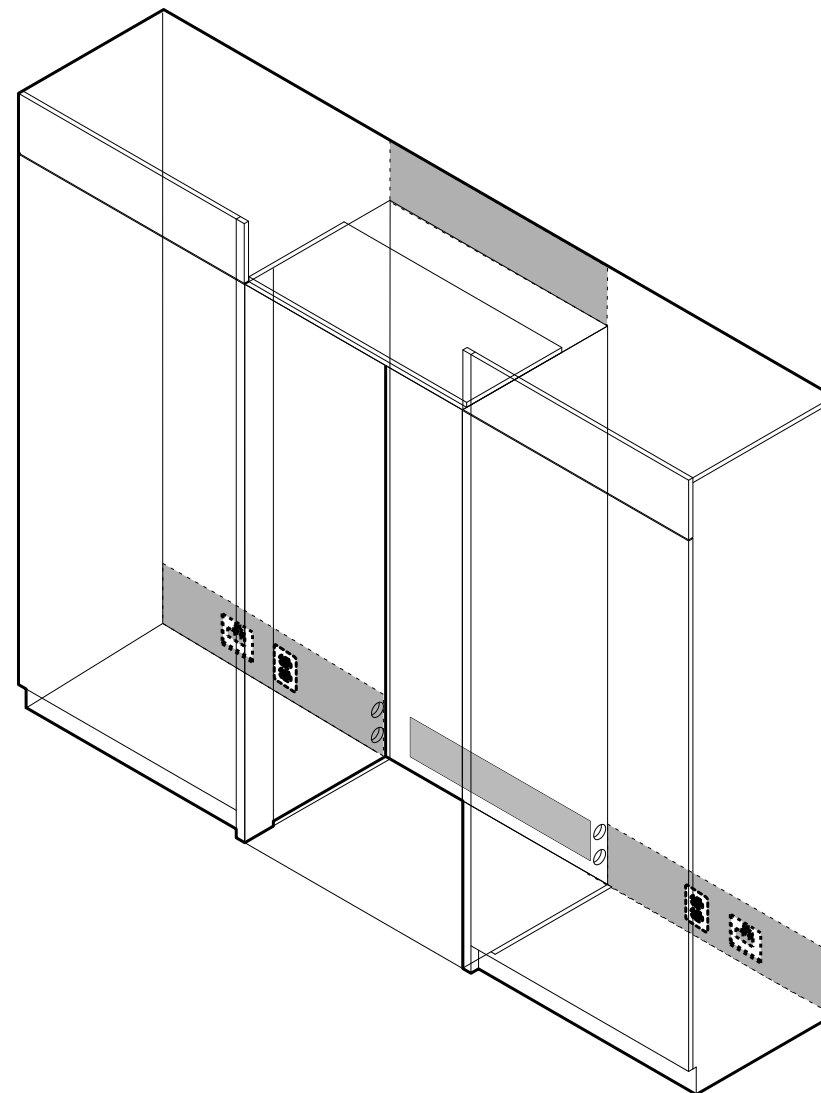
- Check the dimensions — height, width, depth, floor level, finished alcove returns.
- Ensure that the ventilation openings in the cabinetry are clear of obstruction.
- For integrated installation, a finished return of solid material is required across the top and sides of the new or existing alcove.
- Refer to the 'Cavity Dimensions' table prior to installation of the appliance.

② **Check the power supply**

- Ensure that there is a separate power outlet for the appliance.
- Avoid sharing the power point with other appliances to prevent the appliance from accidentally switching off.
- For power requirements, refer to the information on the serial plate. This is located at the front right-hand side of the drawer when open.
- Ensure your appliance is properly grounded (earthed).
- Connect the appliance to the electrical supply (115VAC, 60Hz) with fitted plug and lead.
- We recommend to use an isolating switch that is easily accessible to the user after the appliance is installed.
- Follow the National Electrical Code and all local codes and ordinances when installing this appliance.

③ **Check the water supply (for Ice and Water models only)**

- Ensure that there is a separate water supply connection for the appliance.
- Your appliance must be installed by a qualified appliance installer as incorrect plumbing can lead to water leaks.
- Fisher & Paykel is not liable for damage (including water damage) caused by faulty installation or plumbing.



Internal box

A Anti tip bracket kit



Anti-tip bracket (1)

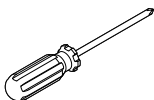


Masonry plug (4)

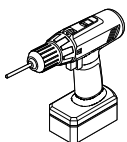


#10x40 cross-head screw (4)

Tools



Cross-head screwdriver



Powered driver (optional)



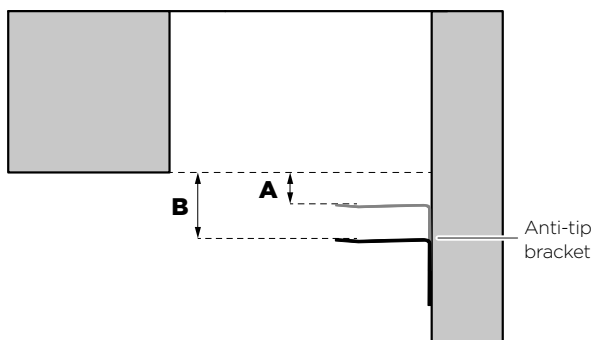
Pencil

IMPORTANT!

- The anti-tip bracket and fittings supplied must be fitted to the wall of the finished enclosure to withstand 220lbs (100kg) load.
- Ensure that anti-tip bracket is installed correctly to prevent the appliance tipping forward when door is open.
- Ensure the bracket is secured to structural beams or wall studs nearest to the center of the alcove.

Attach anti-tip bracket

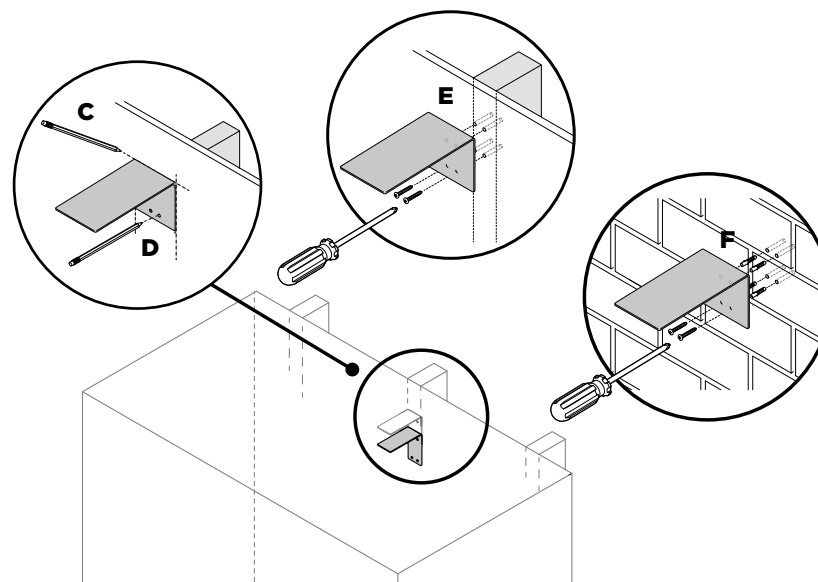
- Project horizontally from the bottom edge of the finished enclosure towards the center of the back wall.
 - For 80" (2134mm) cavity installation — measure 2 7/16" (62mm) downward from the projection line (**A**).
 - For 84" (2032mm) cavity installation — measure 6 7/16" (164mm) downward from the projection line (**B**).
 This will locate the contact surface between the bracket and appliance.



- Mark the location for placement of the anti-tip bracket so the top edge of the contact surface aligns with the mark (**C**).
- Mark the locations of the screw holes on the wall based on the most central wall stud (**D**).
- Drill screw holes to the marked locations.
- For wooden/plaster board wall installation:**
 - Fix the bracket to the wall with #10x40 pan head cross-head screws, and screw tightly (**E**).
- For solid wall installation:**
 - Hammer masonry plugs into the wall until flush.
 - Fix the bracket to the wall with #10x40 pan head cross-head screws (4x), and screw tightly (**F**).

WARNING!

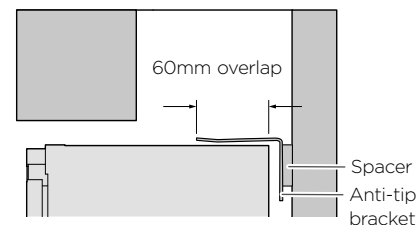
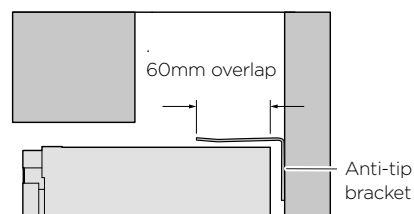
- Read the following before fastening with masonry plugs and/or screws:
- Ensure the screws avoid electrical, gas and water conduits.
 - Ensure lightweight masonry material such as cinder block and new concrete (no curing time) are not used in installation.
 - Do not use metallic materials that may corrode, stain and/or damage the enclosure.



IMPORTANT!

When positioning the appliance in the cabinetry, ensure that the anti-tip bracket overlaps the refrigerator by a minimum 2 3/8" (60mm) for a secure hold.

If the minimum 2 3/8" (60mm) overlap cannot be achieved, install a solid spacer to the wall stud behind the bracket.



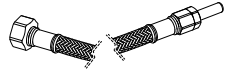
14 WATER AND POWER SUPPLY CONNECTION

Water fittings kit

(Ice and Water models only)



Collet locking clip (1)



1/4" (6mm) Stainless steel braided hose with adaptor (1)

IMPORTANT!

- Ensure that the water connection is performed by a professional installer.
- The standard appliance includes a braided water line hose compatible with a brass adaptor.
- Ensure there is enough tubing for the water connection and to pull the appliance out for service, if required.

- Flush water through the hose prior to connection to the appliance to remove any debris in the hose.
- We recommend to use an isolating switch that can be accessed easily after the appliance is installed.

Connect to water

(for Ice and Water models only)

- 1 Move the appliance in front of the cabinetry close enough to allow access behind for power and water connections.

- 2 At the front of the appliance, insert the adaptor of the braided water line hose (A) into the PRV.

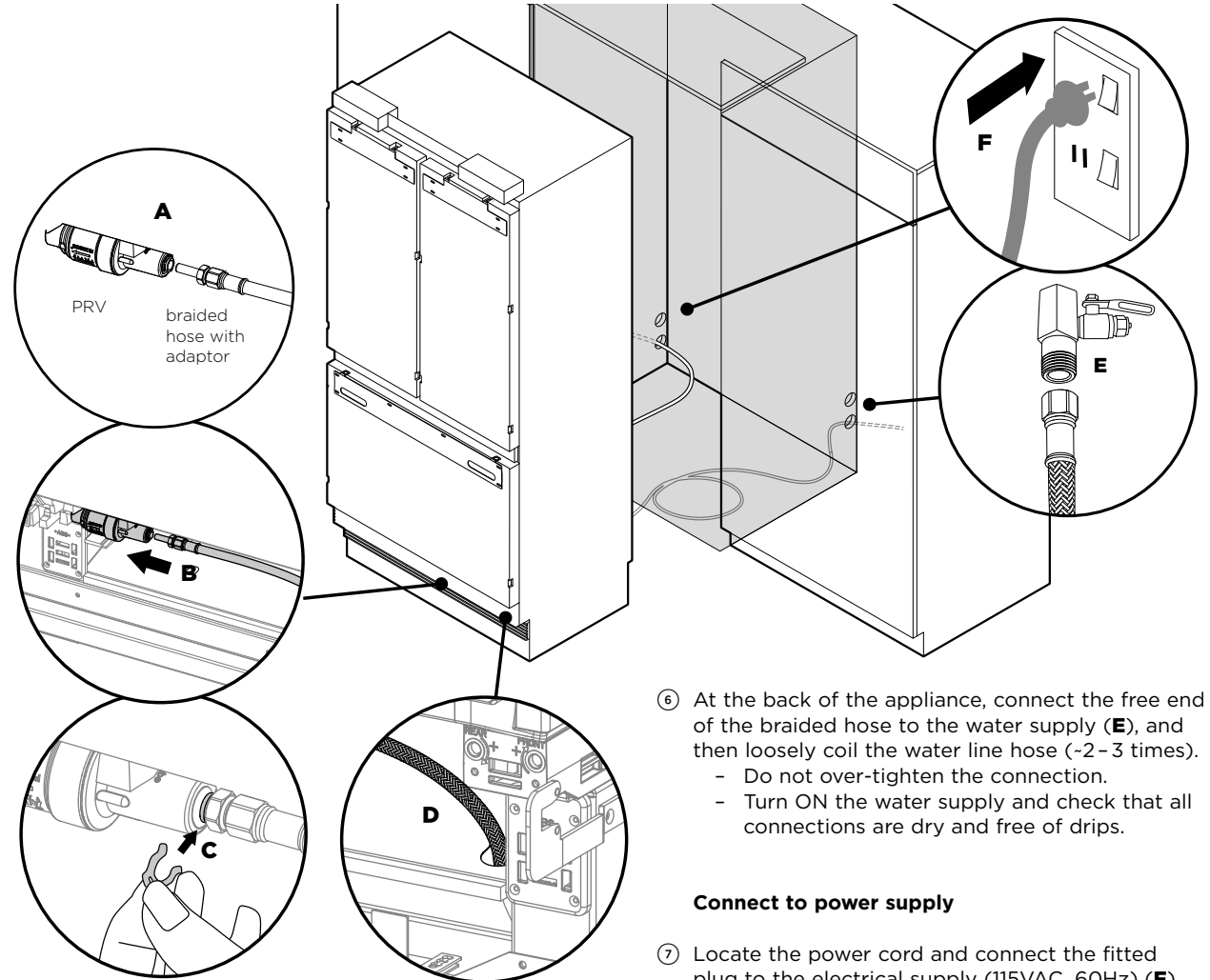
Note: If using a 1/4 PEX plastic tubing, you need to use a water fittings kit (not supplied and must purchase separately).

- 3 Insert the tube end of the adaptor fully into the PRV. Once inserted, pull gently on the tubing to ensure it is locked in (B).

Note: Dislodge the PRV from the clips, if required.

- 4 Secure the connection by inserting a locking key between the PRV and tube end of the adaptor (C).
 - If the PRV is dislodged during installation, mount the PRV back into the clip.

- 5 Thread the free end of the water line hose into the hole located at the base and through the back of the appliance (D).



- 6 At the back of the appliance, connect the free end of the braided hose to the water supply (E), and then loosely coil the water line hose (~2-3 times).
 - Do not over-tighten the connection.
 - Turn ON the water supply and check that all connections are dry and free of drips.

Connect to power supply

- 7 Locate the power cord and connect the fitted plug to the electrical supply (115VAC, 60Hz) (F). Turn ON the appliance to test if working.
 - If using an isolating switch, turn OFF the appliance before continuing the installation.

Internal box

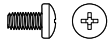
E Top trim install kit



Cabinet top trim bracket (2)



M5 nut (6)



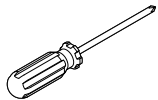
M5x8 cross-head screw (12)

External box

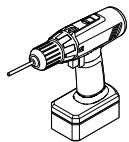


Top trim (1)

Tools



Cross-head screwdriver



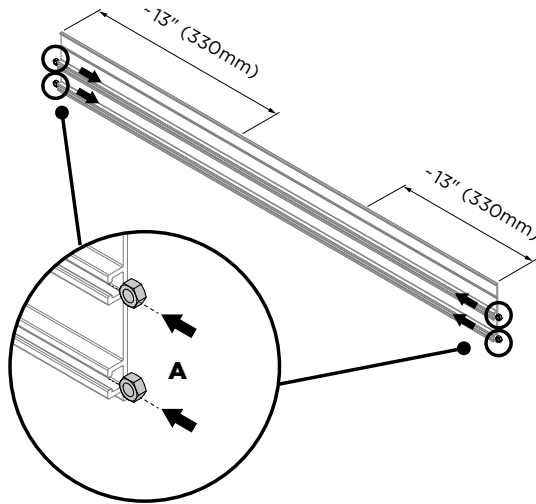
Powered driver (optional)

WARNING!

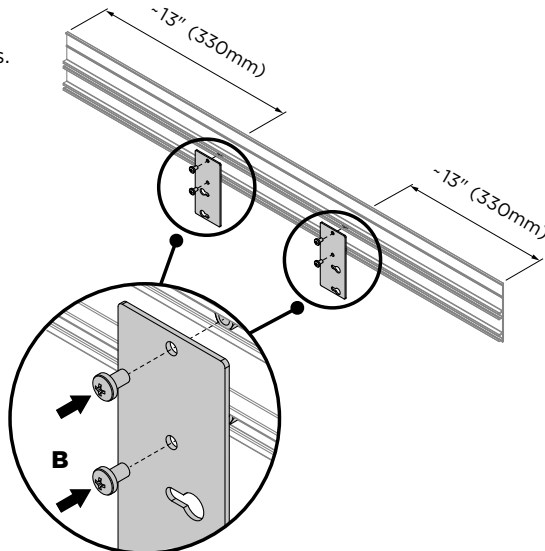
- Be careful when working with the appliance outside of the finished enclosure.
- Ensure that the appliance is secured to prevent tipping forward. Tipping of appliance can lead to serious injury or death.

Install top trim — for 84" (2134mm cavity only)

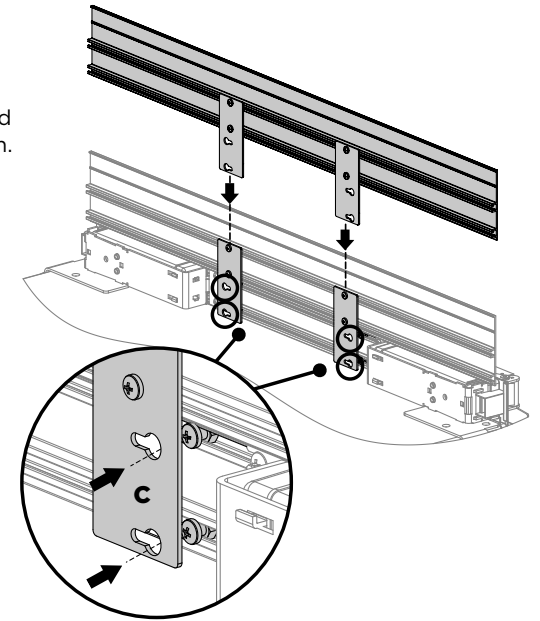
- ① Insert M5 nuts (A) into the top and bottom side of the left and right ends of the top trim. Slide the nuts towards the center of the trim, ~13" (330mm).



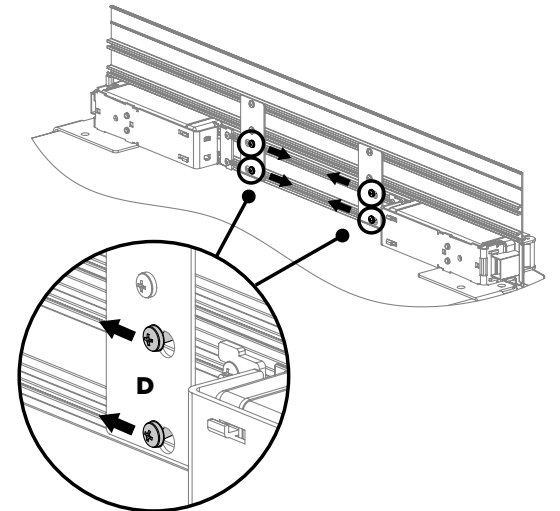
- ② Position the top trim brackets over the M5 nuts. Fasten M5x8 cross-head screws (B) through bracket hole and secure.



- ③ At the top of the appliance, place the assembled top trim behind the existing appliance trim. Position the top trim so that screw heads in the appliance trim insert through the key holes of the brackets (C).



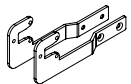
- ④ Slide the screws of the appliance trim towards the narrow side of the brackets, and tighten the screws to lock the top trim in position (D).



16 SIDE BRACKETS INSTALLATION

Internal box

F Side bracket install kit



Side base brackets
(right/left)
(2)

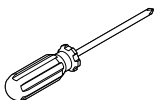


M5x8 countersunk
cross-head screw (4)

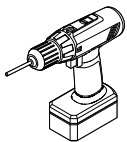


M5x10 cross-head screw
(10)

Tools



Cross-head screwdriver



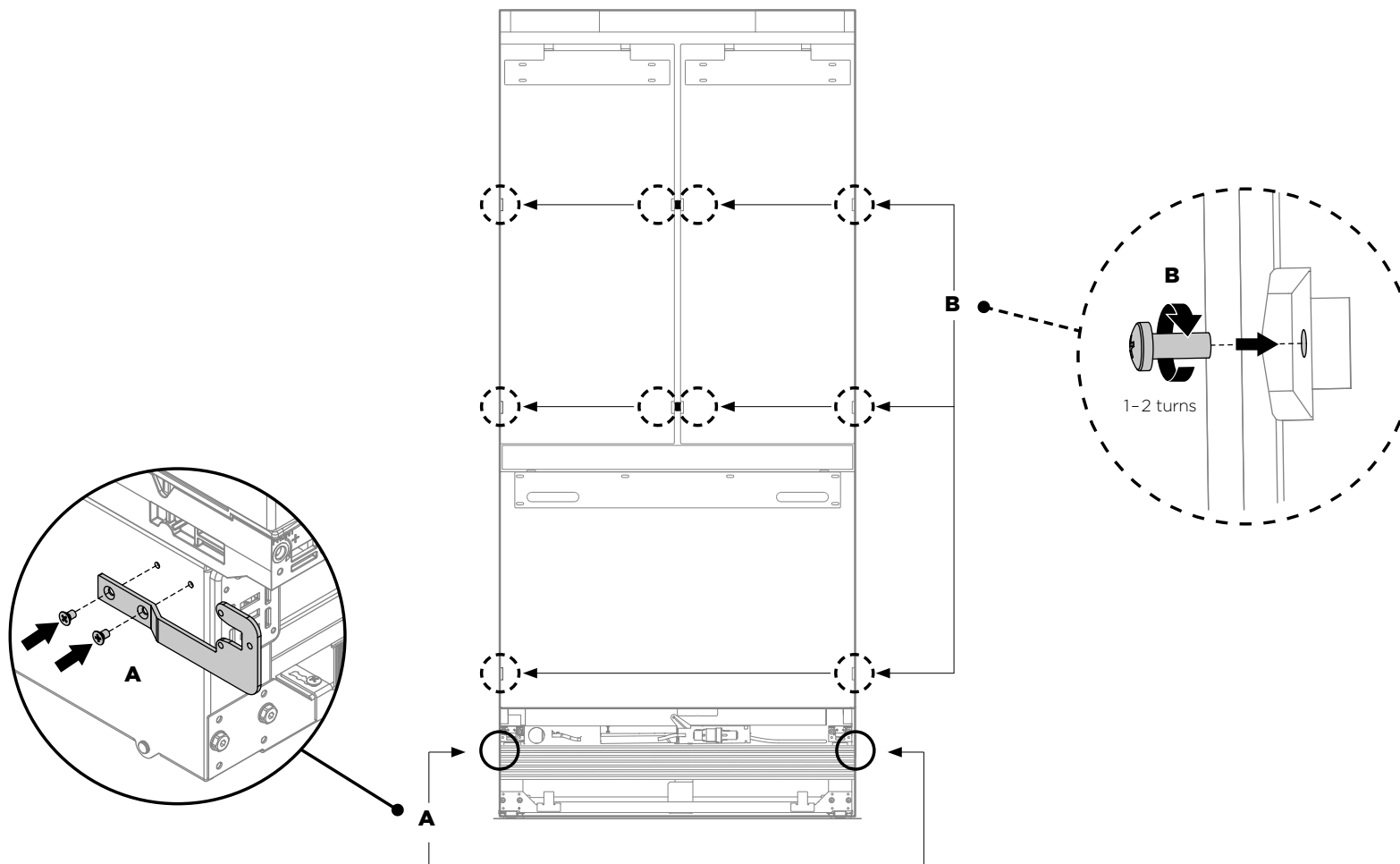
Powered driver (optional)

IMPORTANT!

- Ensure all external packaging materials are removed from the appliance before installation.
- Ensure the doors of the appliance are closed during installation.

Attach side base brackets

- ① Fix the side base brackets to the base left and right sides of the appliance with M5x8 countersunk cross-head screws (**A**).
- ② Loosely screw (1-2 turns) M5x10 cross-head screws into the doors (**B**).



IMPORTANT!

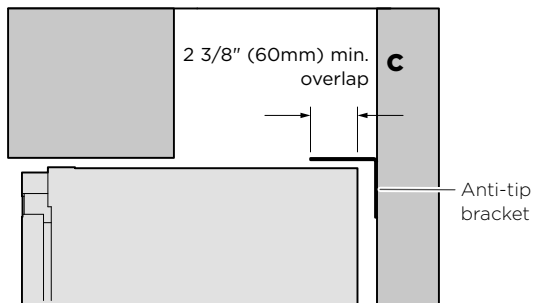
- Ensure the hose is not run over by the appliance when pushing into the cabinetry to prevent damage and possible water leaks.

Position the appliance into the cabinetry

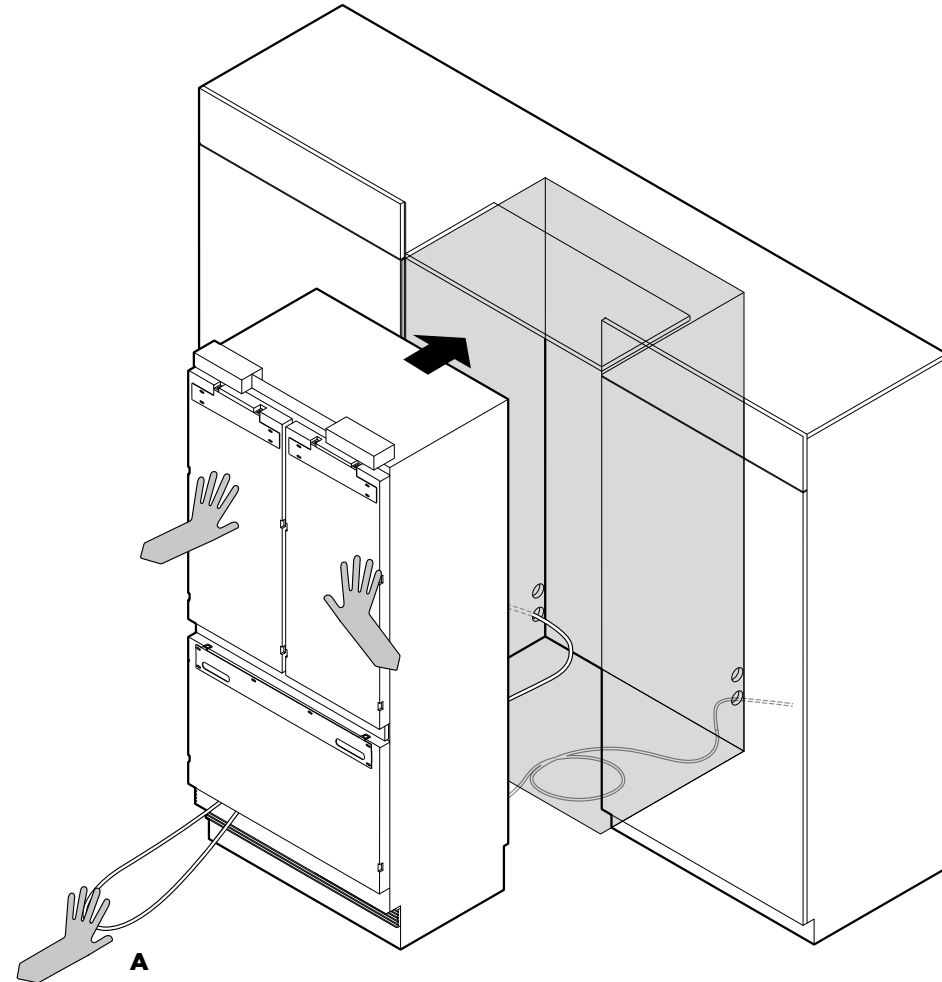
- ① Coil the excess water hose and power cord flat behind the appliance (**A**).
- ② Push the appliance into the cabinetry until the anti-tip bracket overlaps the rear top edge of the appliance (**B**).

IMPORTANT!

- Ensure the appliance is centered.
- Ensure the anti-tip bracket overlaps the refrigerator by a minimum 2 3/8" (60mm) for a secure hold (**C**).



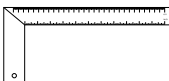
Refer to 'Attach anti-tip bracket' for more information.



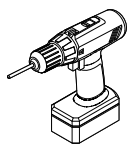
Tools



Hex key



Ruler



Powered driver

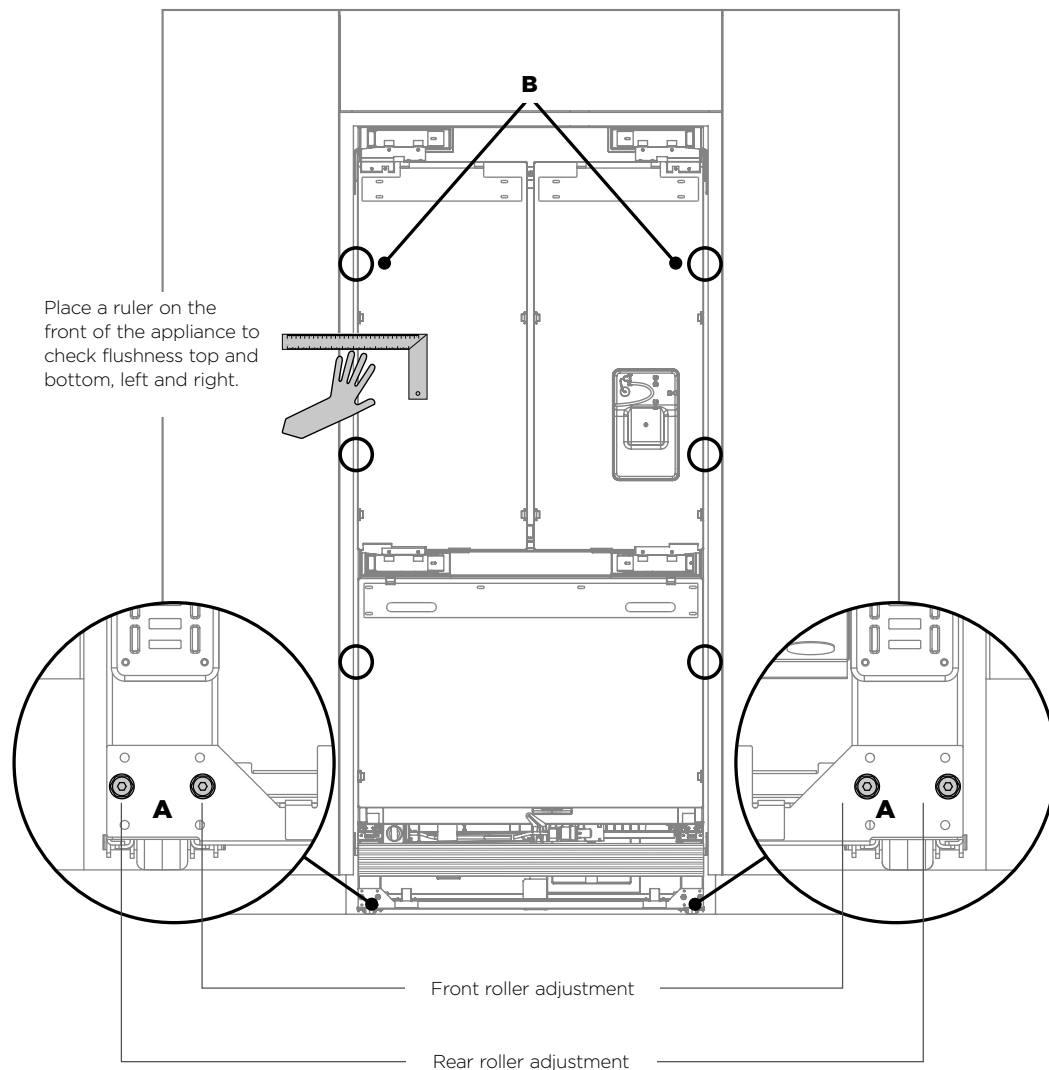
IMPORTANT!

- Ensure all four corners of the appliance is supported firmly onto the floor to eliminate any movement.
- DO NOT install the appliance on a soft, uneven, or unlevelled floor to avoid twisting the appliance and poor door sealing.
- Raise the appliance using a 7/16" (11mm) hex socket or 3/16" (4mm) hex key.
- One turn of height adjusting nuts is equivalent to 1/16" (1mm) height adjustment. Note: Maximum turn is 13/16" (20mm).

- If using a powered driver, use low torque setting to avoid damaging the height adjustment system.
- Ensure that the top, bottom and side gaps are not greater than 1/16" (1.5mm) to achieve correct alignment.
- Final alignment will be achieved once door panels have been installed and the appliance is pushed back to sit flush with the cabinetry.

Align appliance inside the cabinetry

- ① Centre the appliance within the alcove, using the adjacent walls as a guide.
- ② Turn the front and rear adjustment nuts (A) using a hex key to extend the feet until it engages the floor.
 - Clockwise turn raises the height and counter-clockwise turn lowers the height.
- ③ Continue turning the adjusting screws alternately between front and rear feet to align the front of the doors top to bottom on both sides, and until you achieve the correct alignment.
- ④ Check the top and bottom, left and right gaps by placing a ruler on the front of the appliance.
 - Ensure the gaps between appliance and adjacent cabinetry are even on both sides (B).
 - This step will help ensure the appliance is level with the adjacent cabinetry.
- ⑤ Gently push the front of the appliance to check the stability.



Internal box

B Door panel attachment kit

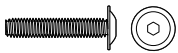


Side bracket (10)



Side strap (10)

Door handle kit



M5x25 pan head socket screw (12x)

Door panel set

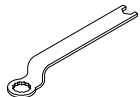


M5x14 mush cross-head (SS) screw (34)

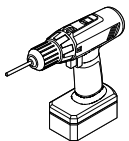
Tools



Hex key



FPA spanner



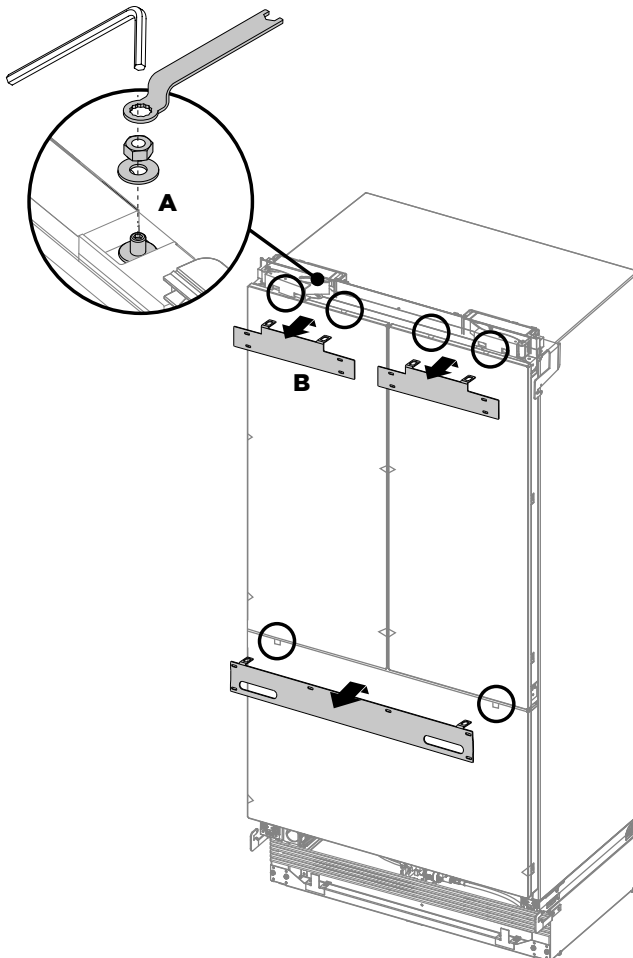
Powered driver

IMPORTANT!

- Follow these steps to avoid difficulties in door panel adjustment and cosmetic cap fitment.
- Ensure to protect the finish of the Stainless steel door panels.
- For non-water dispensing door panels: Leave the protective film on the panels when hanging and remove the film only when installation is complete.

Remove hanging brackets

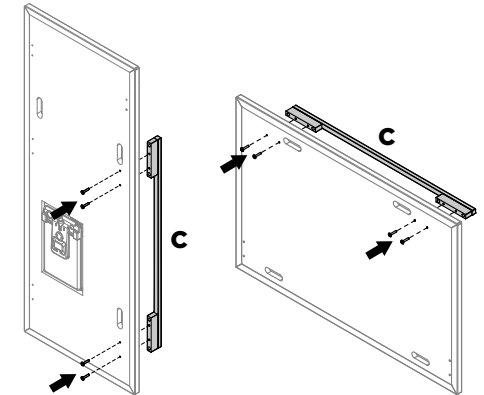
- ① Remove the M8 washers and M8 nuts from the M8 studs at the top the door (A). Keep the washers and nuts to reuse later.
- ② Remove the hanging bracket from the top of each door and set aside (B) for later installation.



Attach the door and drawer handles (C)

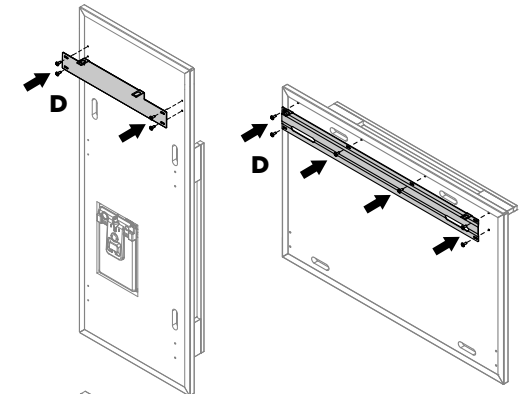
- ③ Remove the plastic plugs from the handle holes (4 per each door panel).
- ④ Align the handle holes with the door panel holes and secure with M5x25 pan head socket screws (4 per each door panel).

Note: Door handle kit available and must be purchased separately. Refer to 'Components' for more details.



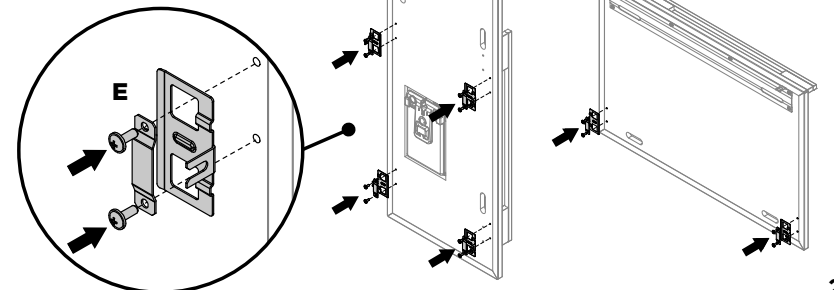
Attach the hanging brackets (D)

- ⑤ Align the bracket to the holes and secure with M5x14 mush cross-head SS screws (14).

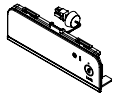


Attach side brackets and straps (E)

- ⑥ Align the brackets and straps to the holes on the side of the panel and secure with M5x14 mush cross-head SS screws (20).



Ice and Water display
(Ice and Water models only)



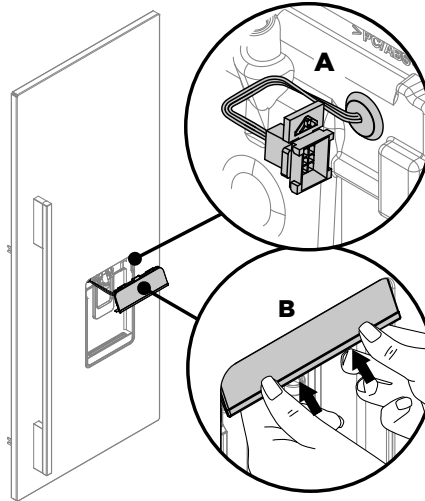
External display module
(1)

IMPORTANT!

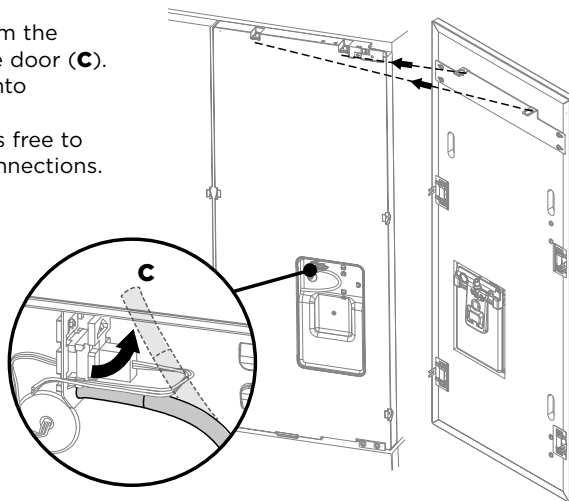
- Failure to follow these steps can lead to difficulties in door panel adjustment and cosmetic cap fitment.
- For water dispensing door panels: Remove the protective film from the appliance doors before hanging door panels.

Connect the external display module (for Ice and Water models only)

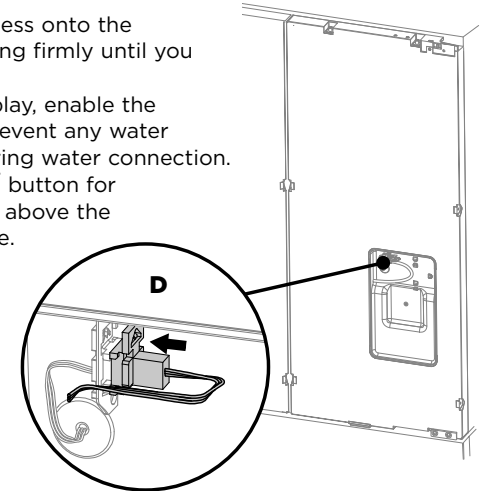
- ① Remove the external display module taped to the front of the appliance.
- ② Thread the display harness through the door panel cavity (A).
 - Ensure the grommet is engaged.
- ③ Turn the top display tabs at an angle into the door panel (B).
 - Ensure the harness is free of pinching.
- ④ Push firmly against the bottom display tabs and insert into the door panel until you feel it clip securely.
 - Ensure the display is flush with the door panel.



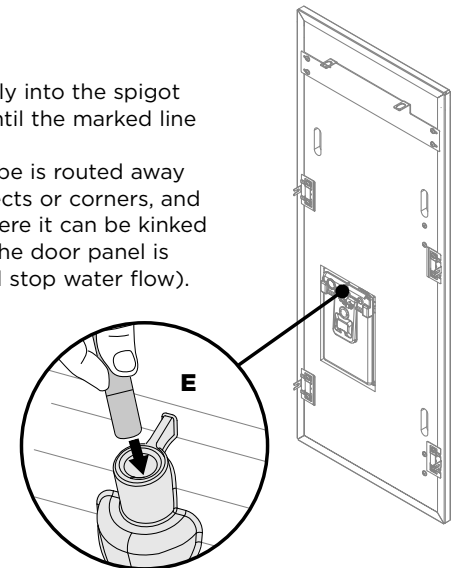
- ⑤ Remove water tube from the holder on the appliance door (C).
- ⑥ Hang the door panel onto M8 studs.
 - Ensure the panel is free to pivot for water connections.



- ⑦ Connect the display harness onto the appliance door by inserting firmly until you feel it clip securely (D).
 - On the external display, enable the dispenser lock to prevent any water from dispensing during water connection.
 - To lock, press the button for 4 seconds. The LED above the button will illuminate.

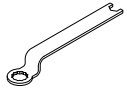


- ⑧ Push the water tube firmly into the spigot behind the door panel until the marked line is not visible (E).
 - Ensure the water tube is routed away from any sharp objects or corners, and not in a location where it can be kinked or squashed when the door panel is secured, (as this will stop water flow).

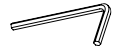


19 DOOR PANEL INSTALLATION - STAINLESS STEEL

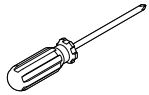
Tools



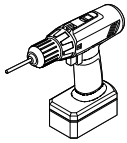
FPA spanner



Hex key



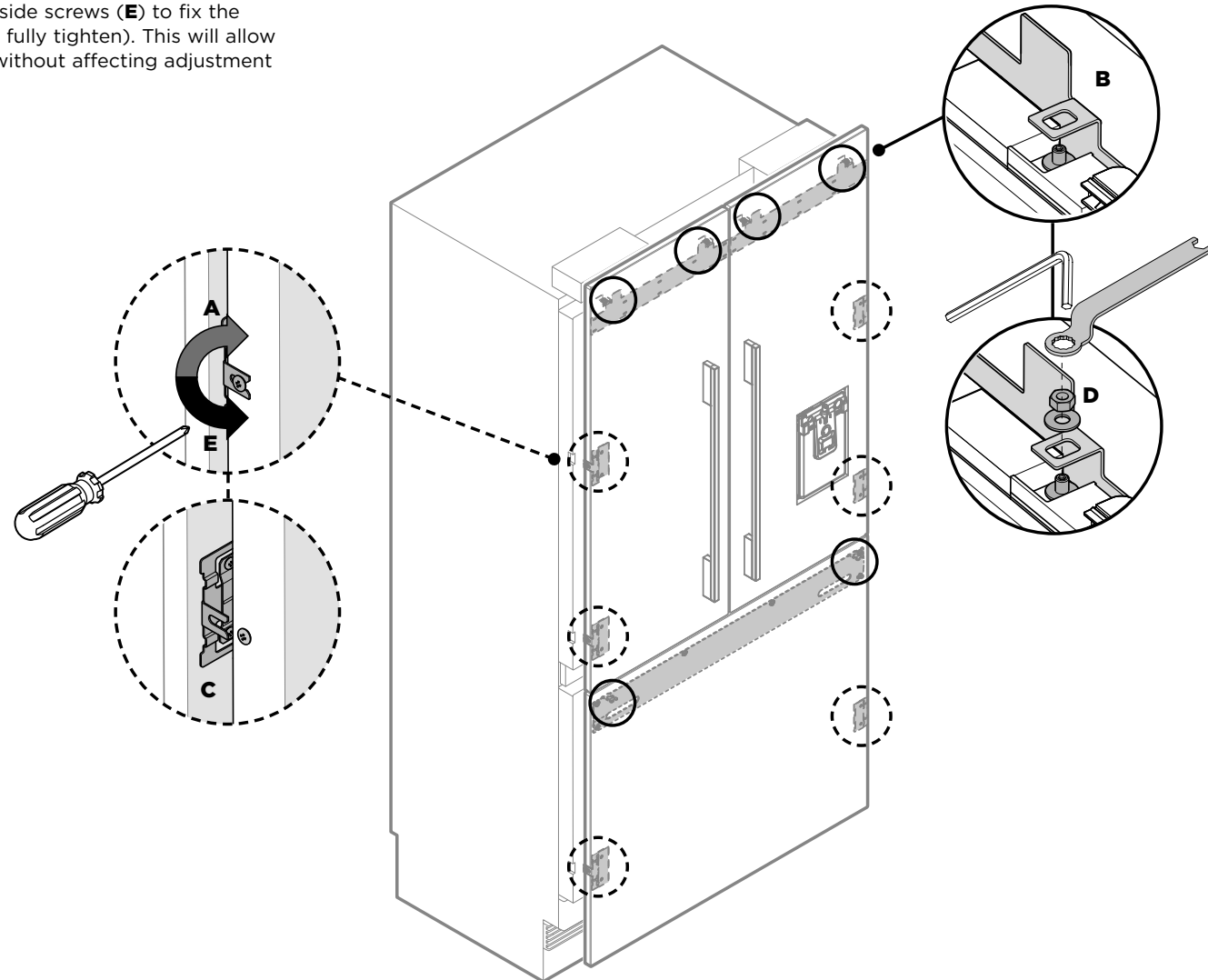
Cross-head screwdriver



Powered driver (optional)

Attach the door panels

- ① Open the door and loosen the M5x10 cross-head screws (do not remove) at the sides of the doors (**A**).
- ② Hang the door panel by inserting the M8 studs through the holes of the hanging bracket (**B**).
- ③ Slide the forks of the side brackets onto the screws of the door (**C**).
- ④ Screw the M8 washer and nut to each stud (**D**), and re-tighten the side screws (**E**) to fix the door panel (do not fully tighten). This will allow opening the door without affecting adjustment of the door panel.

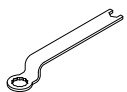


B Door panel attachment kit



8x16 mush washer
(Custom) screw (2)

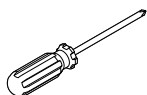
Tools



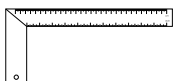
FPA spanner



Hex key



Cross-head screwdriver



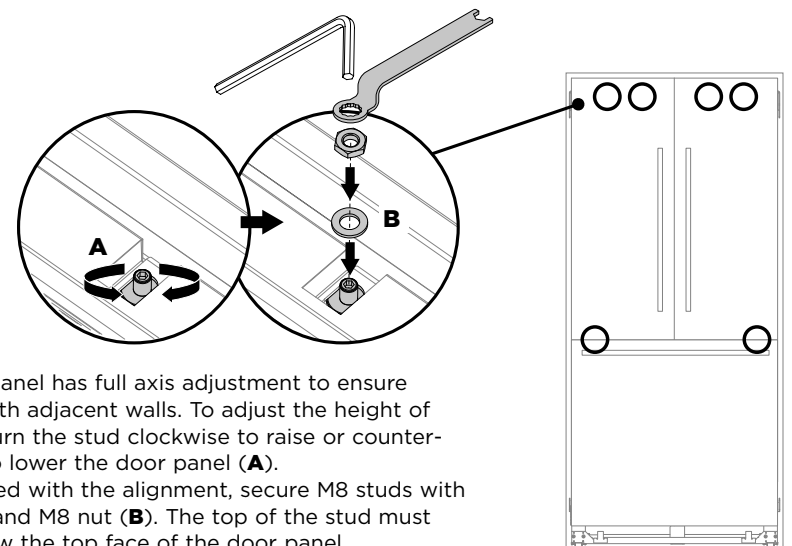
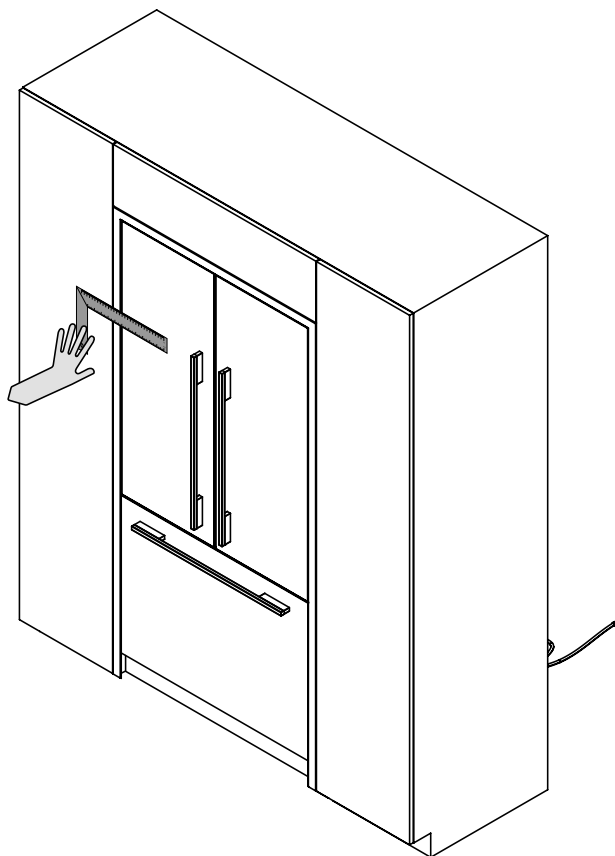
Ruler

IMPORTANT!

- Follow these steps to avoid difficulties in door panel adjustment and cosmetic cap fitment.

Adjust the door panels

- 1 Place a ruler on the front of the appliance to check flushness top and bottom, left and right.
 - Ensure the gap between the top of the door panel and the top cabinetry is not more than 1/4" (7mm).
 - To reduce this gap, raise the appliance by turning all four adjustment nuts the same number of turns.



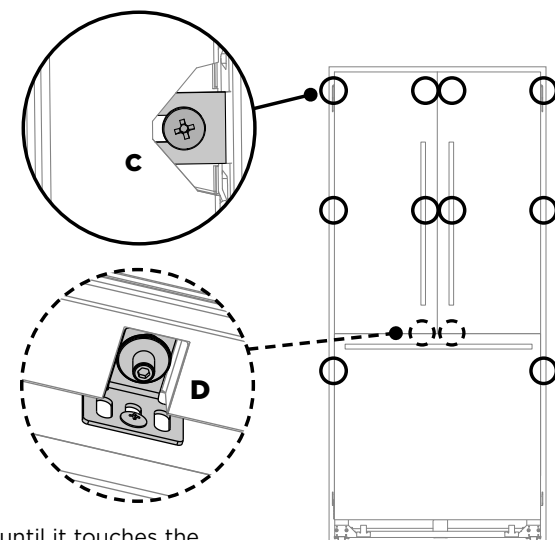
- 2 Each door panel has full axis adjustment to ensure flushness with adjacent walls. To adjust the height of the panel, turn the stud clockwise to raise or counter-clockwise to lower the door panel (A).
- 3 Once satisfied with the alignment, secure M8 studs with M8 washer and M8 nut (B). The top of the stud must remain below the top face of the door panel.

- 4 Secure side bracket forks by tightening side screws (C).
Repeat for all door panels.

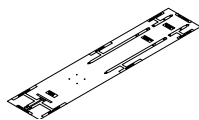
Note:

- For depth adjustment, loosen the side screws (10), adjust the panels and then retighten once satisfied.
- Further adjustment of door panels can be achieved by removing door panels then loosening the fixing screws for the hanging bracket and moving the bracket sideways to suit.

- 5 Loosen the M8 stud (D) so that locking bracket can slide freely back to front.
 - Slide the locking bracket out until it touches the back of the door panel. Fully tighten the M8 stud.
 - Screw in place using a #8x16 screw through one of the three slotted holes.

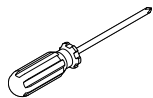


External box

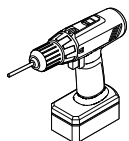


Door panel double-sided template (1)

Tools



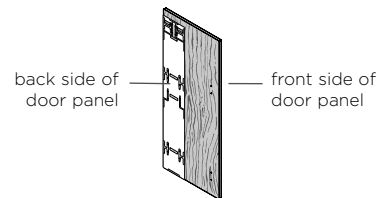
Cross-head screwdriver



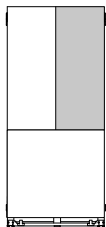
Powered driver (optional)

IMPORTANT!

- The template is a single sheet with one side used for the left door panel/drawer panel and the other side for the right door panel.
- The template should be placed on the back side of the door panel.
- Sample image below shows template applied to door panel RD3680.



Using the installation template (for left French door panel)



2 Mark drill locations of screw holes for the left hanging bracket and side brackets. Drill screw 3/32" (2mm) holes to the marked locations.

1A Align left side edge of template with left side edge of top door panel.

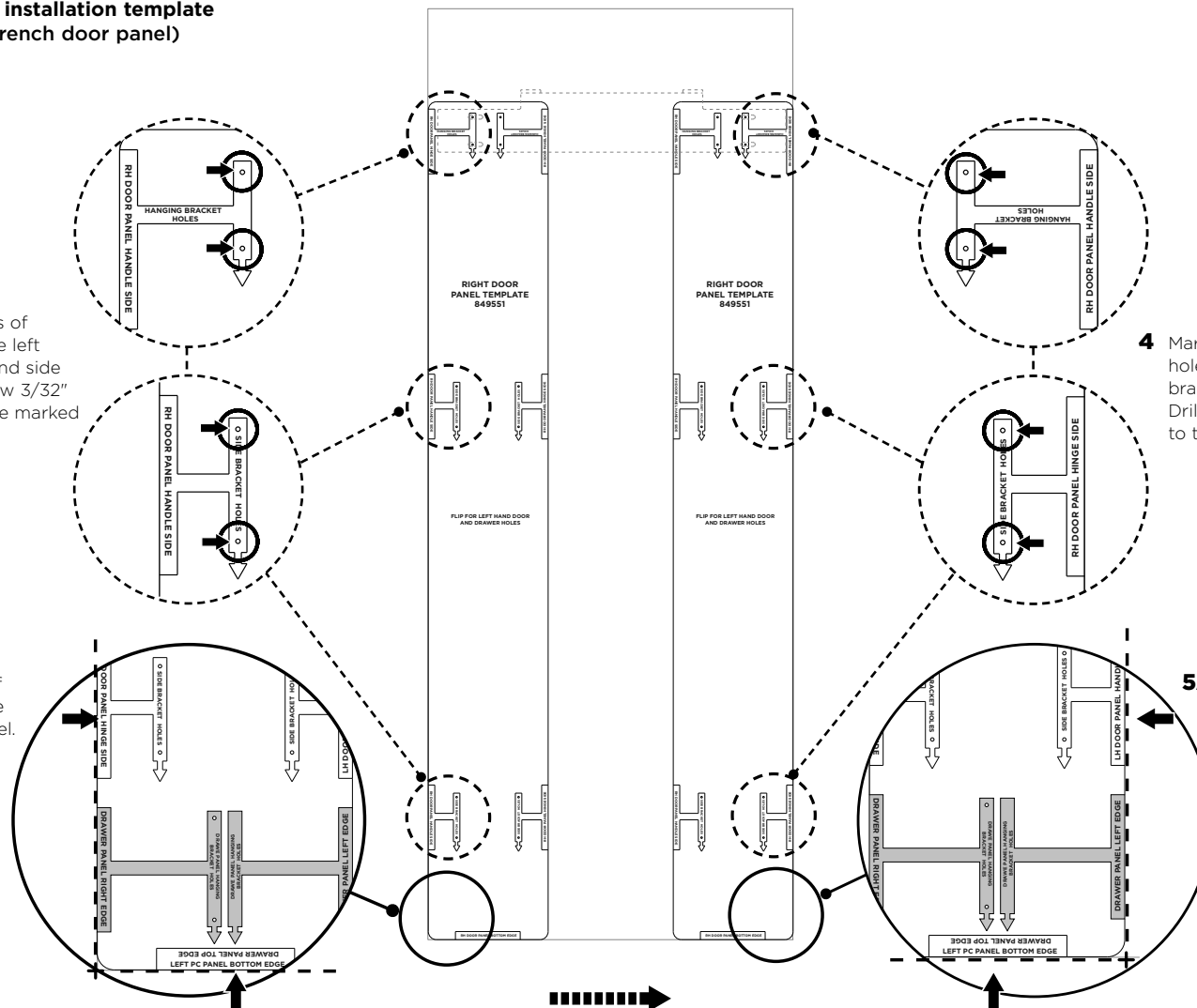
1B Align bottom of template with bottom edge of top door panel.

3 Move the same template to right hand side of door panel.

4 Mark drill locations of screw holes for the right hanging bracket and side brackets. Drill 3/32" (2mm) screw holes to the marked locations.

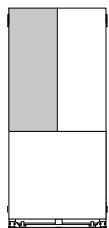
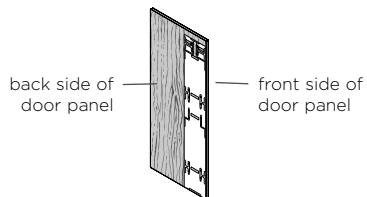
5A Align right side edge of template with right side edge of top door panel.

5B Align bottom of template with bottom edge of top door panel.



IMPORTANT!

- Flip the template over to use for the right top door panel.
- The template should be placed on the back side of the door panel.



Using the installation template (for right French door panel)

2 Mark drill locations of screw holes for the left hanging bracket and side brackets. Drill 3/32" (2mm) screw holes to the marked locations.

4 Mark drill locations of screw holes for the right hanging bracket and side brackets. Drill 3/32" (2mm) screw holes to the marked locations.

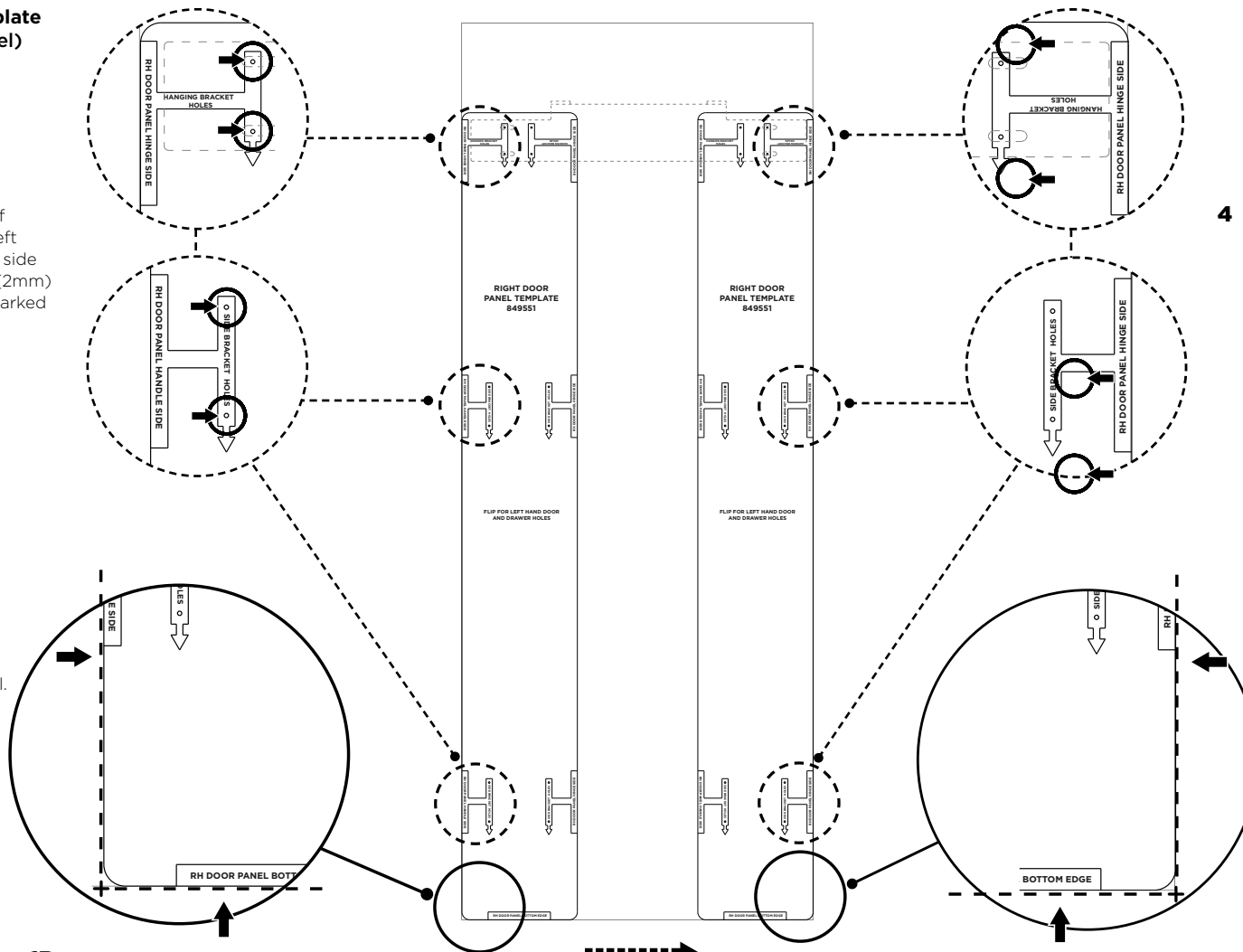
1A Align left side edge of template with left side edge of top door panel.

5A Align right side edge of template with right side edge of top door panel.

1B Align bottom of template with bottom edge of top door panel.

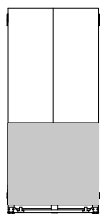
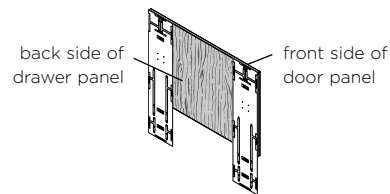
5B Align bottom of template with bottom edge of top door panel.

3 Move the same template to right hand side of door panel.



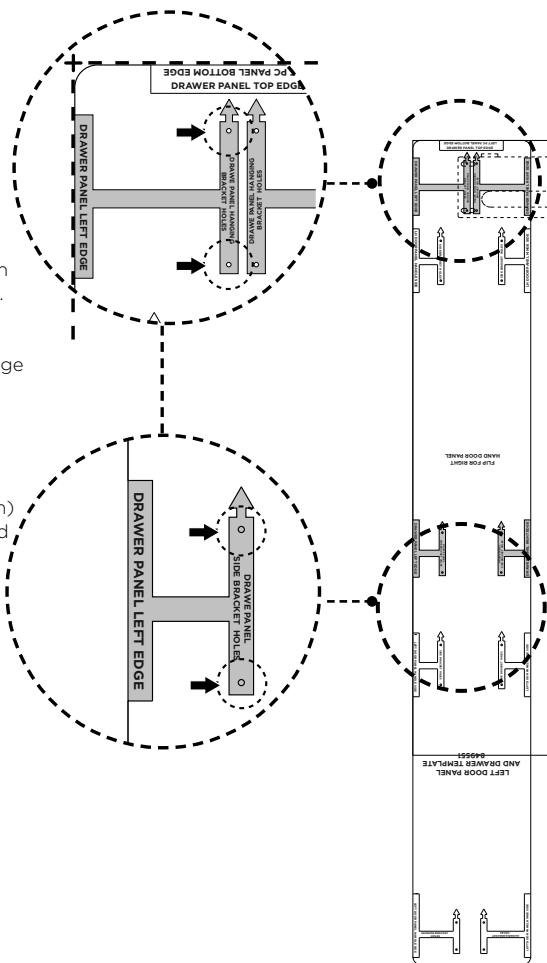
IMPORTANT!

- Use left door panel template to use for the drawer panel.
- Place the template at the back side of the drawer panel.



Using the installation template (for drawer panel)

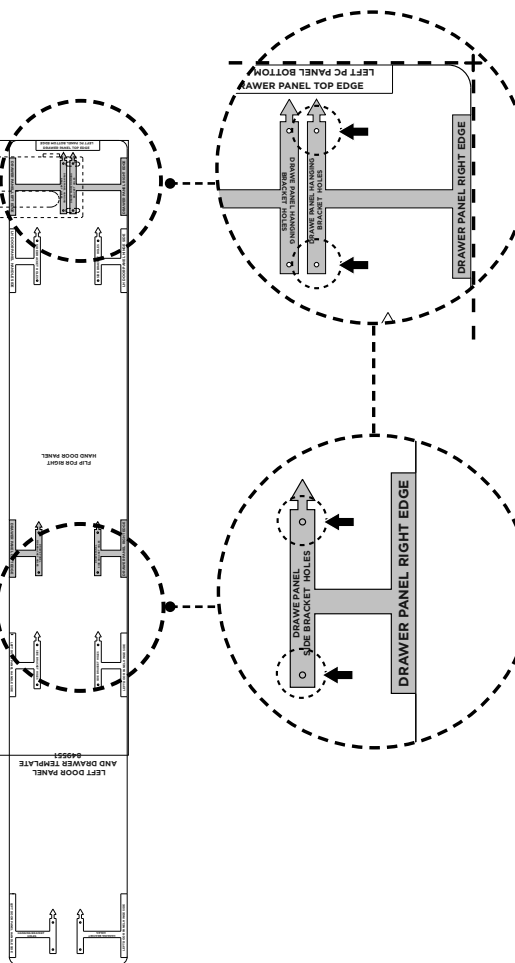
- 1A** Align top of template with top edge of drawer panel.
- 1B** Align left side edge of template with left side edge of drawer panel.
- 2** Mark drill locations of screw holes for the left hanging bracket and side brackets. Drill 3/32" (2mm) screw holes to the marked locations.



- 6** To mark the drill locations of middle screw holes, align the screw holes of the drawer hanging bracket with the right and left drilled screw holes. Drill screw holes to the marked locations.

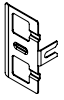
- 3** Move the same template to right hand side of drawer panel.

- 4A** Align top of template with top edge of drawer panel.
- 4B** Align right side edge of template with right side edge of drawer panel.
- 5** Mark drill locations of screw holes for the left hanging bracket and side brackets. Drill 3/32" (2mm) screw holes to the marked locations.



Internal box

B Door panel attachment kit



Side bracket (10)



Side strap (10)



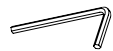
#8x16 mushroom washer (Custom) screw (36)

Door handle kit

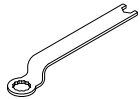


M5x25 pan head socket screw (12x)

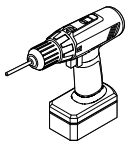
Tools



Hex key



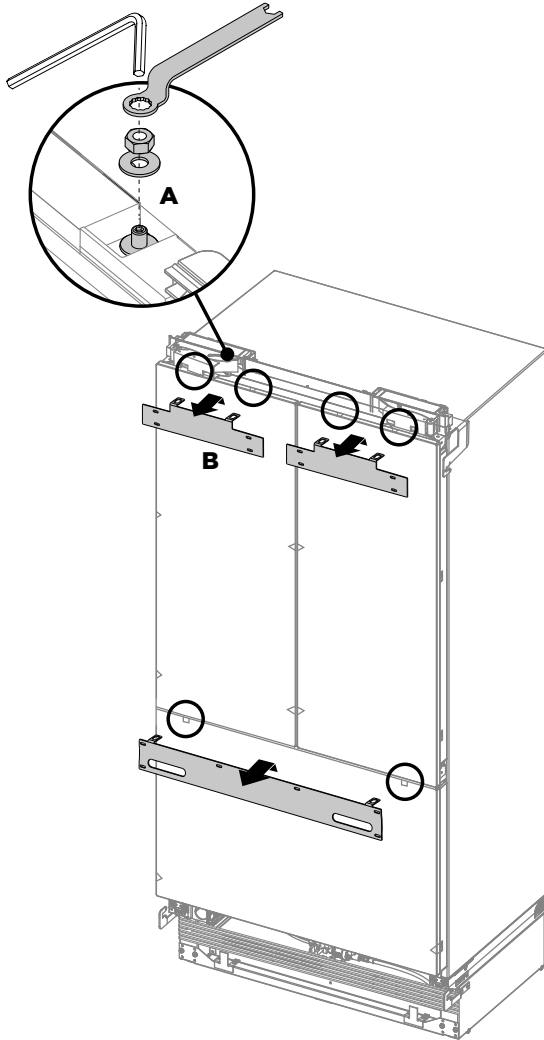
FPA spanner



Powered driver (optional)

Remove hanging brackets

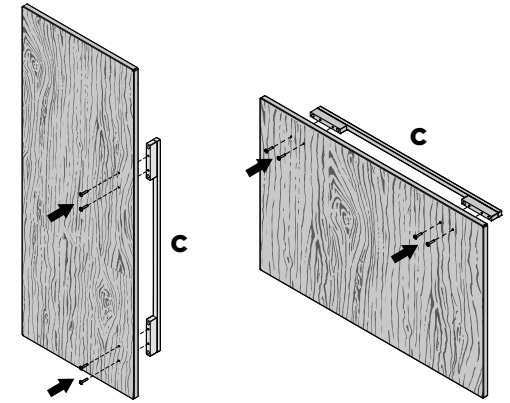
- ① Remove the M8 washers and M8 nuts from the M8 studs at the top the door (A). Keep the washers and nuts to reuse later.
- ② Remove the hanging bracket from the top of each door and set aside (B) for later installation.



Attach the door and drawer handles (C)

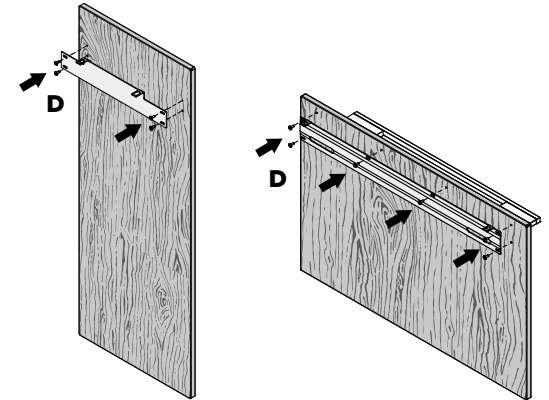
- ③ Align the handle holes with the door panel holes and secure with M5x25 pan head socket screws (4 per each door panel).

Note: Door handle kit available and must be purchased separately. Refer to 'Components' for more details.



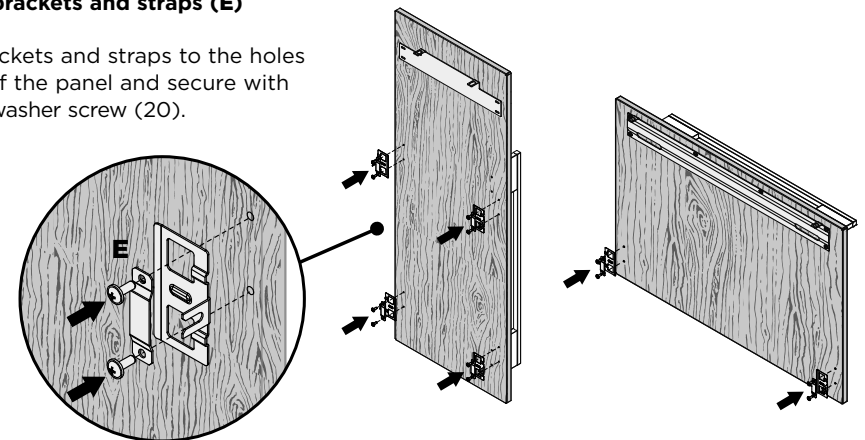
Attach the hanging brackets (D)

- ④ Align the bracket to the holes and secure with #8x16 mushroom washer screw (14).

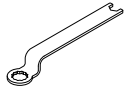


Attach side brackets and straps (E)

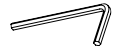
- ⑤ Align the brackets and straps to the holes on the side of the panel and secure with #8x16 mushroom washer screw (20).



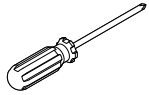
Tools



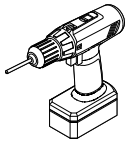
FPA spanner



Hex key



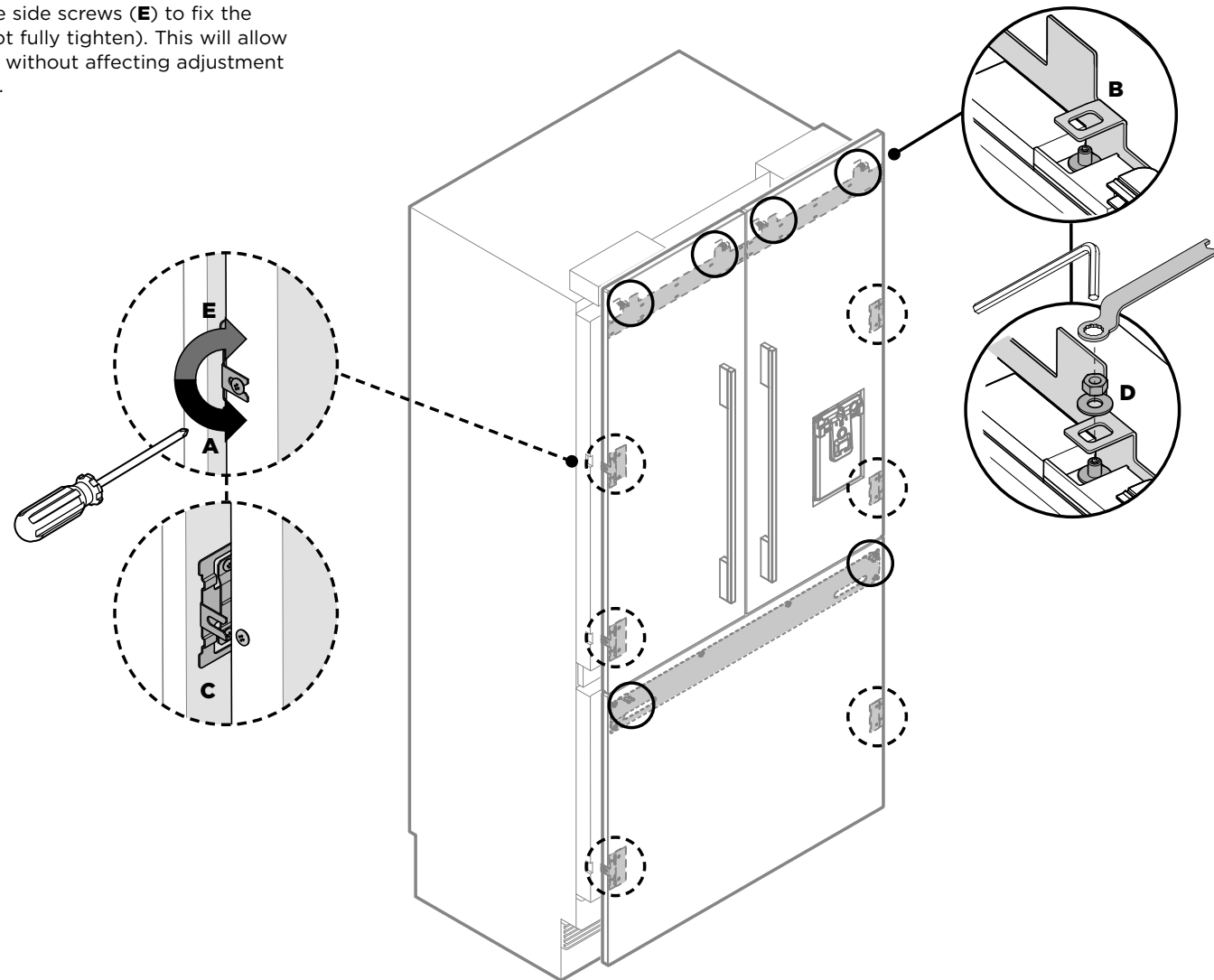
Cross-head screwdriver



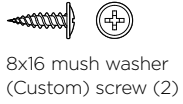
Powered driver (optional)

Attach the door panels

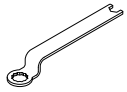
- ① Open the door and loosen the M5x10 cross-head screws (do not remove) at the sides of the doors (A).
- ② Hang the door panel by inserting the M8 studs through the holes of the hanging bracket (B).
- ③ Slide the forks of the side brackets onto the screws of the door (C).
- ④ Screw the M8 washer and nut to each stud (D), and re-tighten the side screws (E) to fix the door panel (do not fully tighten). This will allow opening the door without affecting adjustment of the door panel.



B Door panel attachment kit



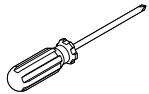
Tools



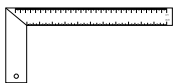
FPA spanner



Hex key



Cross-head screwdriver



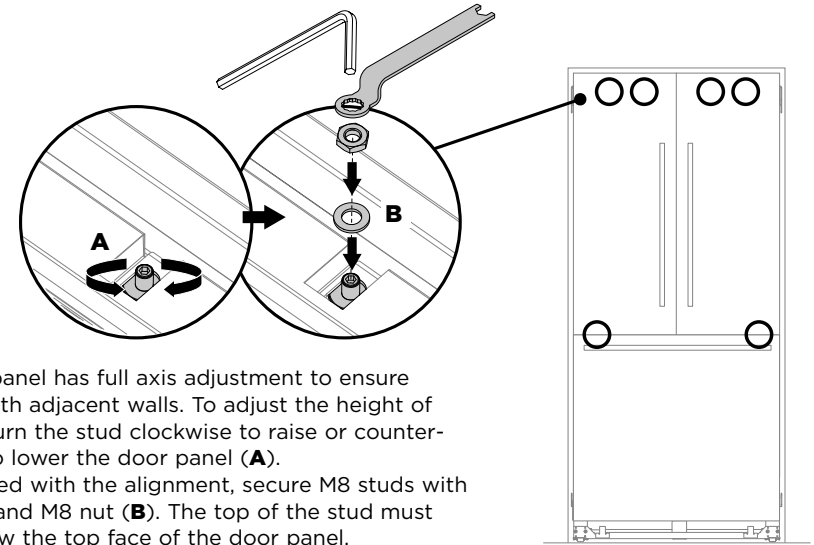
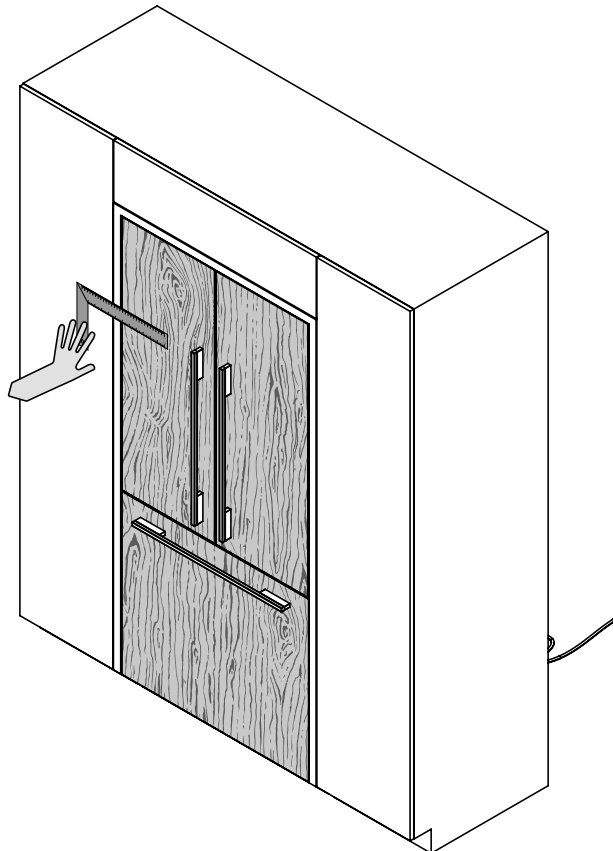
Ruler

IMPORTANT!

- Follow these steps to avoid difficulties in door panel adjustment and cosmetic cap fitment.

Adjust the door panels

- 1 Place a ruler on the front of the appliance to check flushness top and bottom, left and right.
 - Ensure the gap between the top of the door panel and the top cabinetry is not more than 1/4" (7mm).
 - To reduce this gap, raise the appliance by turning all four adjustment nuts the same number of turns.



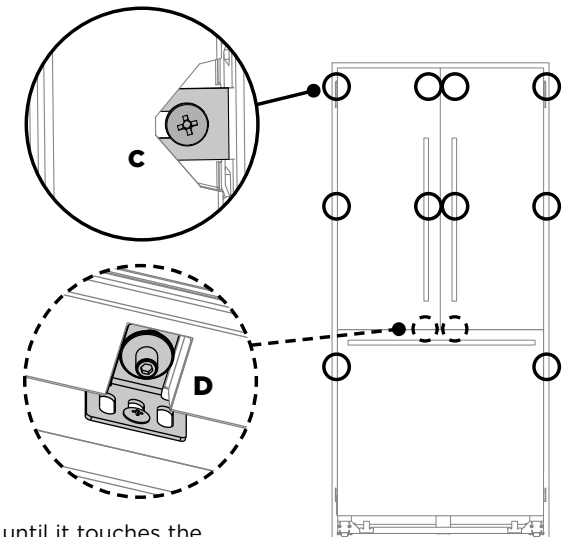
- 2 Each door panel has full axis adjustment to ensure flushness with adjacent walls. To adjust the height of the panel, turn the stud clockwise to raise or counter-clockwise to lower the door panel (A).
- 3 Once satisfied with the alignment, secure M8 studs with M8 washer and M8 nut (B). The top of the stud must remain below the top face of the door panel.

- 4 Secure side bracket forks by tightening side screws (C).
- Repeat for all door panels.**

Note:

- For depth adjustment, loosen the side screws (10), adjust the panels and then retighten once satisfied.
- Further adjustment of door panels can be achieved by removing door panels then loosening the fixing screws for the hanging bracket and moving the bracket sideways to suit.

- 5 Loosen the M8 stud (D) so that locking bracket can slide freely back to front.
 - Slide the locking bracket out until it touches the back of the door panel. Fully tighten the M8 stud.
 - Screw in place using a #8x16 screw through one of the three slotted holes.



Internal box

G Fixing bracket install kit



Fixing bracket (4)



M5x8 countersunk cross-head screw (12)

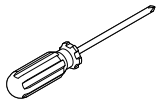


Screw cover (4)

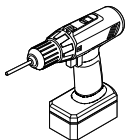


#8x19 twin thread screw (8)

Tools

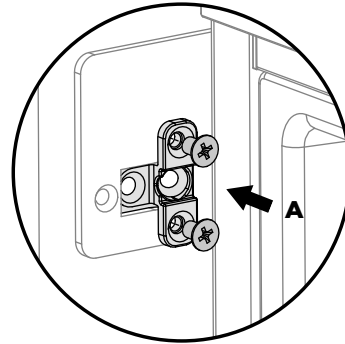
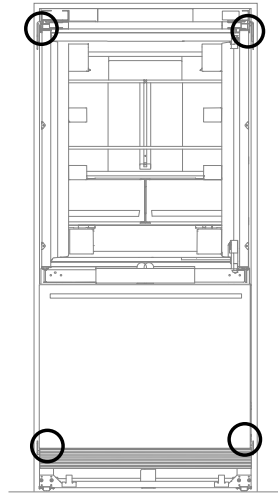


Cross-head screwdriver

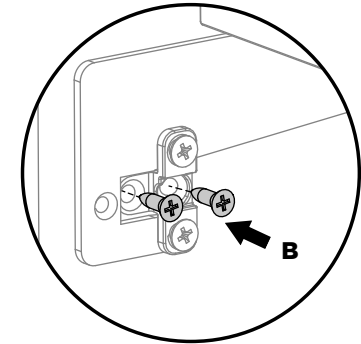
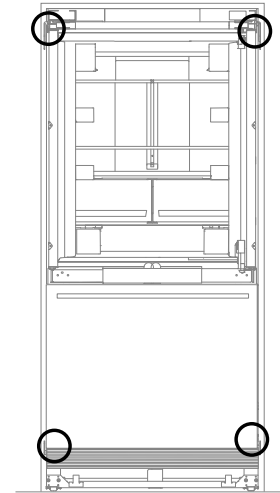


Powered driver (optional)

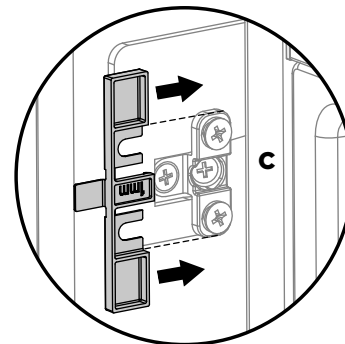
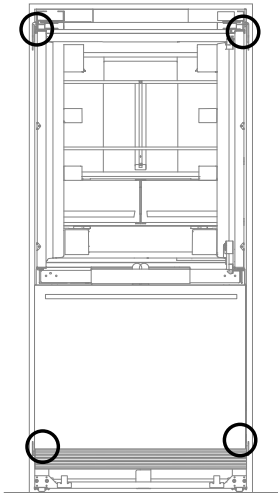
Attach fixing brackets



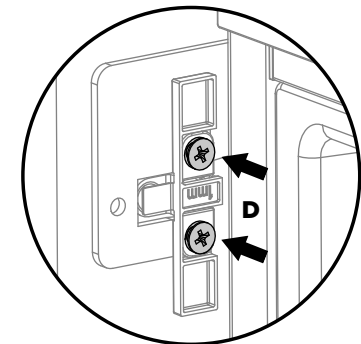
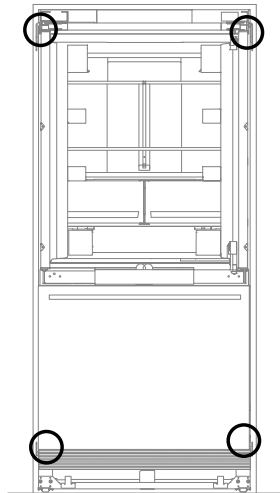
- ① Open the refrigerator French doors carefully.
- ② Place the fixing brackets on the top and side base brackets of the appliance and secure mid-way with M5x8 countersunk cross-head screws (A).



- ③ Secure the center of each fixing bracket to the side of the adjacent wall with #8x19 twin thread screws (B).



- ④ Slide the screw cover between the fixing bracket and the side bracket on the appliance (C).



- ⑤ Fix the screw cover by tightening M5x8 countersunk cross-head screws (D).

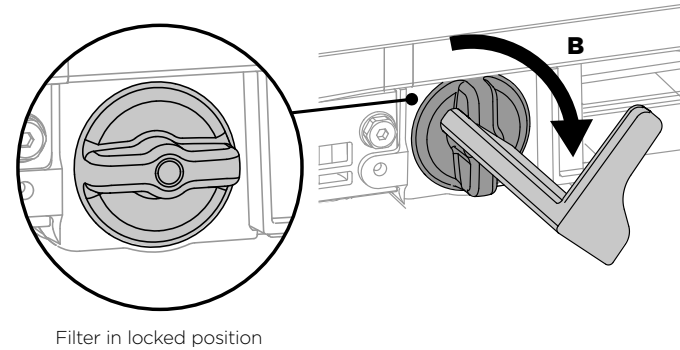
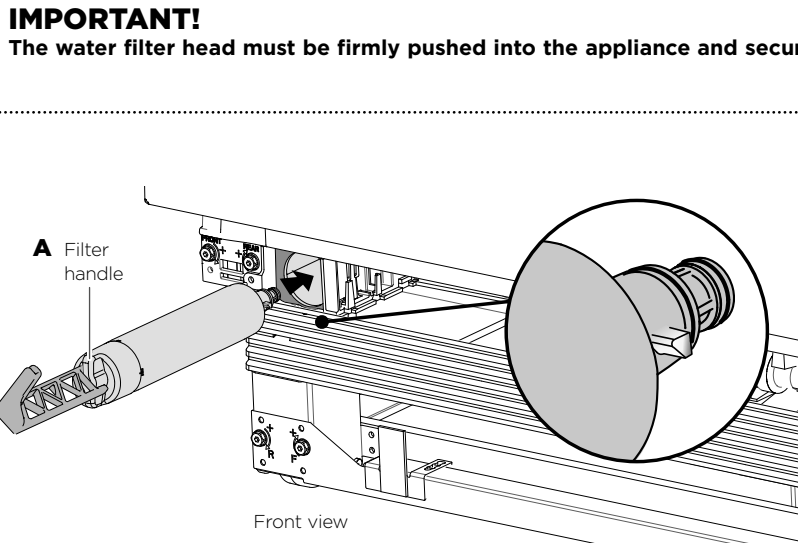
Miscellaneous items pack



Water filter (1)



Filter cartridge tool (1)



Install the water filter

- ① Remove the plastic wrapping of the new filter.
- ② Pull the freezer drawer out slightly and insert the filter into the casing at the bottom left corner of the appliance. Ensure the filter handle is positioned vertically (A).
- ③ Push the cartridge firmly inside the casing all the way into the filter head.

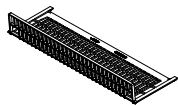
- ④ Align the filter removal tool over the filter handle and turn 90° clockwise to tighten (B). Remove filter removal tool and close the freezer drawer.

IMPORTANT!

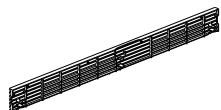
- Before turning on your automatic ice maker, the water filter must be flushed to remove any impurities or trapped air in the water tank and filter system.
- Refer to the user guide 'Operating instructions – Automatic ice maker' for more information.

23 TOE KICK INSTALLATION

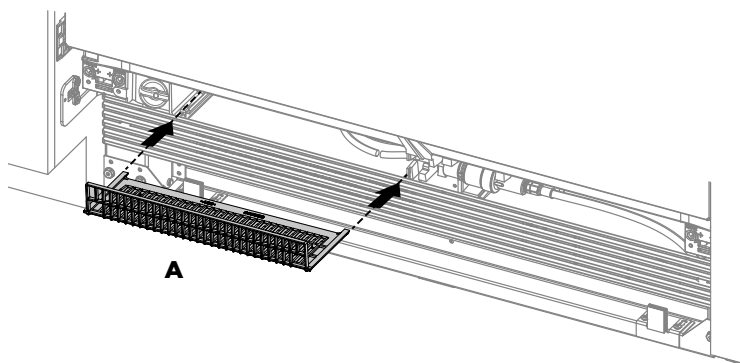
External box



Toe kick filter
(1)

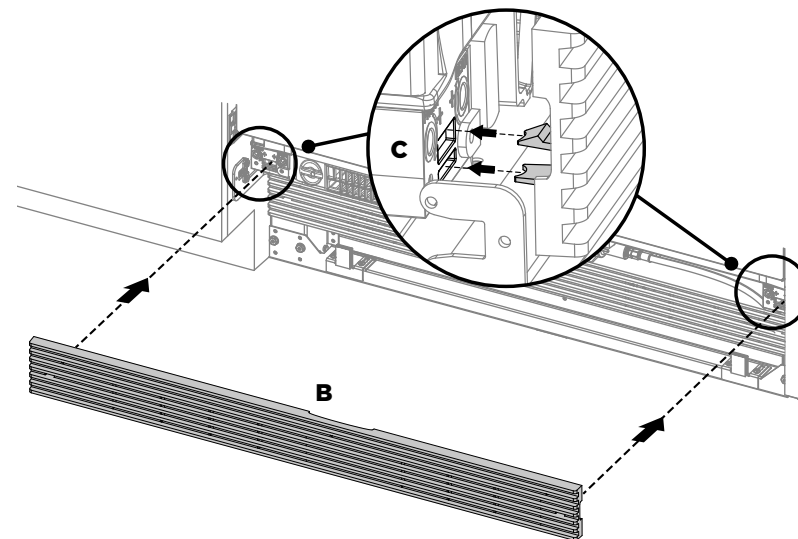


Top grille
(1)



Install the toe kick filter

- ① Fit the filter onto the rails and push until it clips securely (**A**).

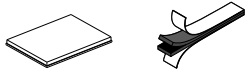


Install the top grille

- ② Align the top grille clips to the top plinth slots. Ensure the top grille is in the correct orientation (**B**).
- ③ Push the grille firmly onto the appliance until the clips engage (**C**).

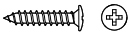
Internal box

E Door/drawer trim install kit



Dual adhesive tabs (2)

Z Miscellaneous components



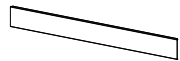
#8x16 pan head screw (3)

Miscellaneous items pack



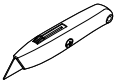
Air flow divider (1)

External box

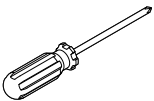


Toe kick (1)

Tools



Cutter



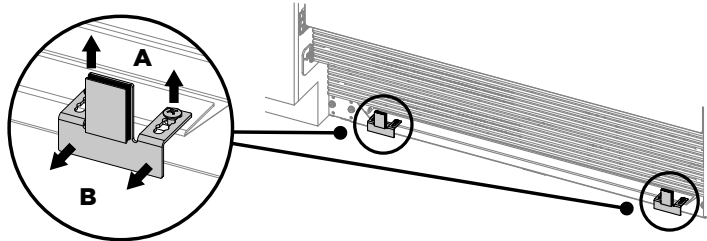
Cross-head screwdriver

IMPORTANT!

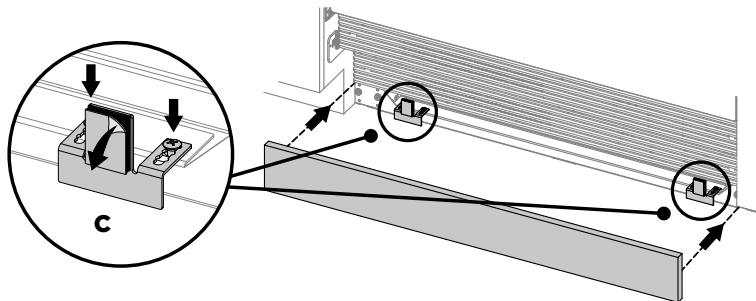
- The standard appliance includes a stainless steel toe kick 4 (102mm) and the components required to mount the toe kick.
- Alternatively, the customer can supply their own custom toe kick 4-6 (102-152mm) for complete integration of the appliance.

For standard toe kick – 4" (102mm)

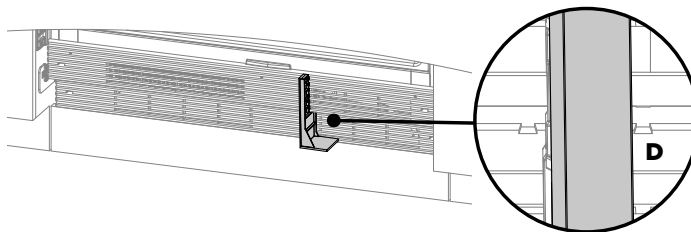
- ① Loosen the toe kick bracket screws (A) mid-way, and move the brackets forward (B).



- ② Pre-align the toe kick by placing in front of the brackets until flush with surrounding cabinetry. Once satisfied with the alignment, set the toe kick aside and tighten the bracket screws to lock the brackets in position.
- ③ Peel off the adhesive backing from one side of dual adhesive tabs and attach to the brackets. Peel off the adhesive backing from the other side of dual adhesive tabs and attach the toe kick (C).

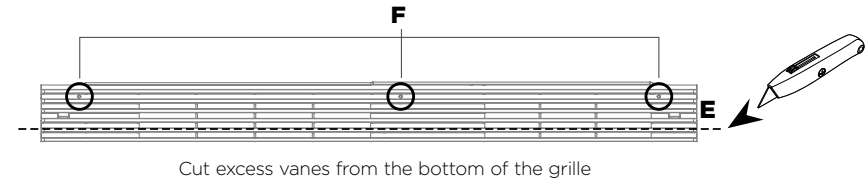


- ④ Align the air flow divider underneath the grille tabs indicator and clip onto the vanes of the bottom grille (D).

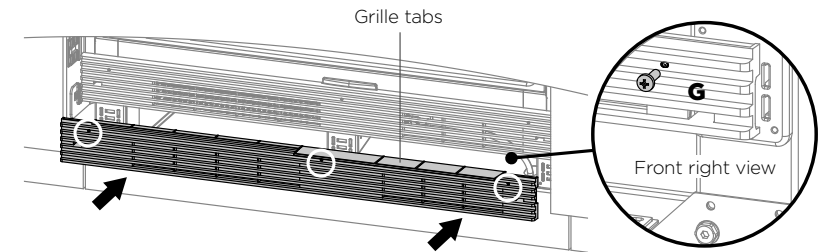


For custom toe kick greater than 4" (102mm)

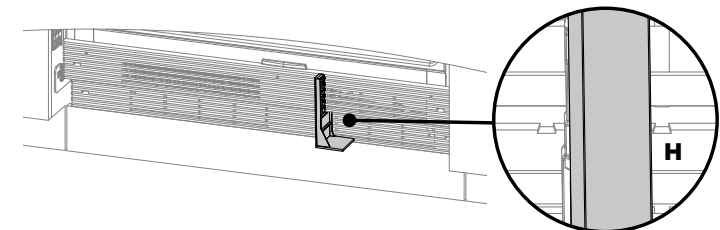
- ⑤ Remove the bottom grille from the bottom of the appliance.
- ⑥ Measure the required height for the bottom grille. On a board, carefully score/cut the excess vanes from the bottom of the toe kick grille and discard (E).
- ⑦ Drill Ø 5/32 (4mm) holes into the dimples of the grille (F).



- ⑧ With the grille tabs facing upwards, align the grille to the bottom of the plinth where the screw holes are located and secure with #8x16 pan head screws (G).



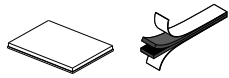
- ⑨ Align the air flow divider underneath the grille tabs indicator and clip onto the vanes of the bottom grille (H).



24 DOOR AND DOOR TRIMS INSTALLATION

Internal box

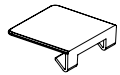
C Door/drawer trim install kit



Dual adhesive tabs
(10)

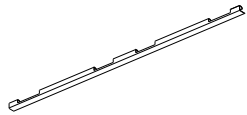


Side cover
(4)

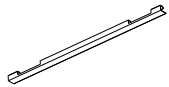


Top cover
(2)

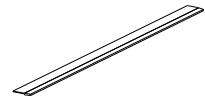
External box



Door side trim
(2)



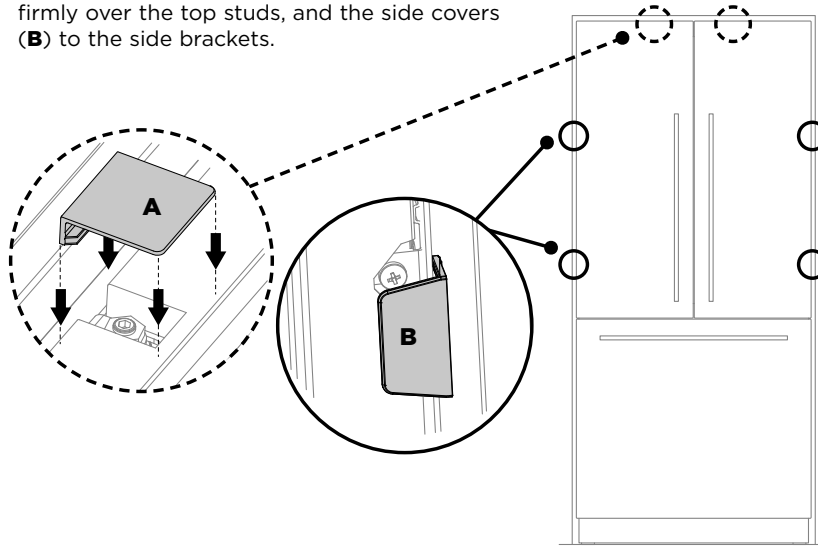
Drawer side trim
(2)



Drawer top trim
(1)

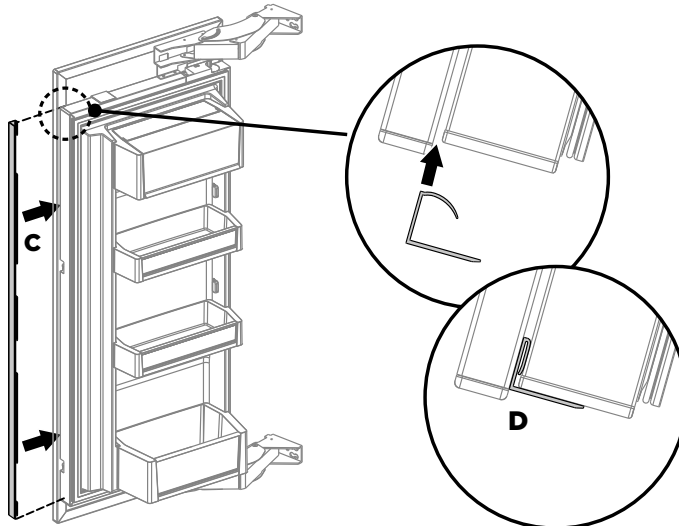
Attach the covers

- ① If applicable, remove any remaining protective film on your door panels.
- ② Open both doors. Attach the top covers (**A**) firmly over the top studs, and the side covers (**B**) to the side brackets.



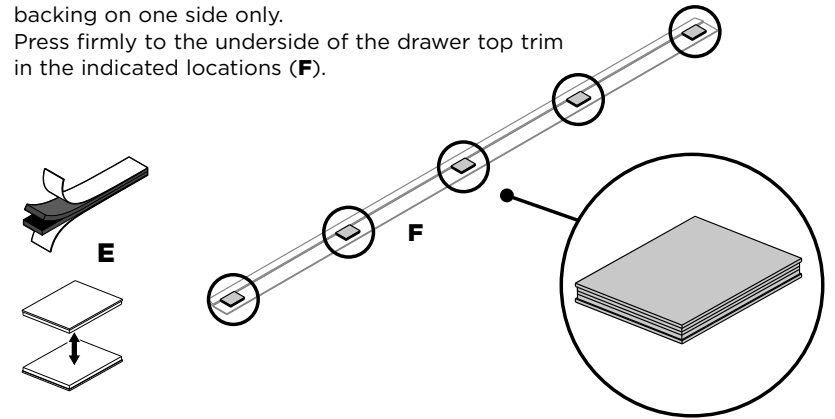
Attach the door side trims

- ③ Install the side trims by inserting into the panel gaps on each side of the door(s) (**C**). Align the trim to the top of the door and press evenly into the panel gap until fully seated (**D**).

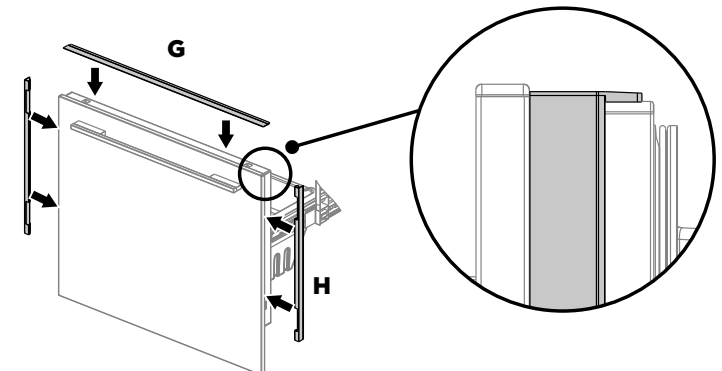


Attach the drawer top and side trims

- ④ Peel off two dual adhesive tabs and press them together to form a pair (**E**). Remove the adhesive backing on one side only.
- ⑤ Press firmly to the underside of the drawer top trim in the indicated locations (**F**).



- ④ Remove the remaining adhesive backing from the dual adhesive tabs.
- ⑤ Locate the trim against the back surface of the panel and press down firmly. Ensure the trim is fully seated against the drawer surface (**G**).
- ⑥ Install the side trims by inserting into the panel gaps on each side of the door(s) (**H**).
 - Make sure the cabinet is centered to prevent the side trims from interfering with the cabinet.



TWO METHODS ARE AVAILABLE FOR ATTACHING CABINET SIDE TRIMS:

[A] FLEXIBLE SPRING CLIP METHOD – RECOMMENDED METHOD [B] FIXED SCREW METHOD – METHOD TO USE IF CABINET IS NOT TO SPECIFICATION

(Attempt method [A]. If method [A] results in poor fitment of side trims due to cabinetry that is uneven or out of specification, use method [B]).

25 CABINET TRIMS INSTALLATION – [A] FLEXIBLE SPRING CLIP METHOD

Internal box

D Cabinet side trim install kit

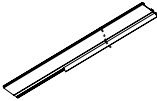


Side trim bracket (6)



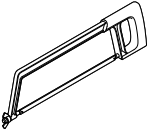
Spring clip (6)

External box



Cabinet side trim (2)

Tools



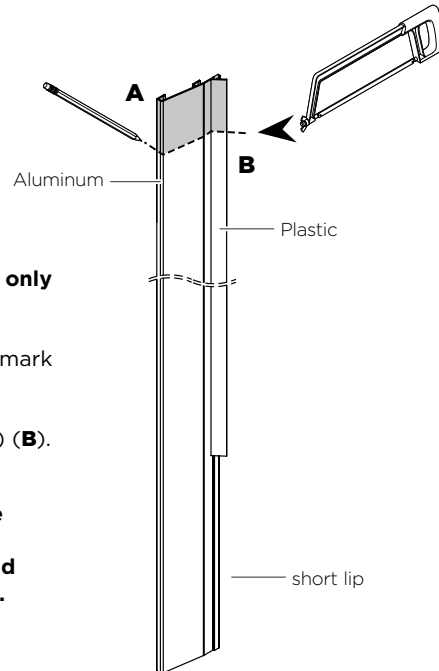
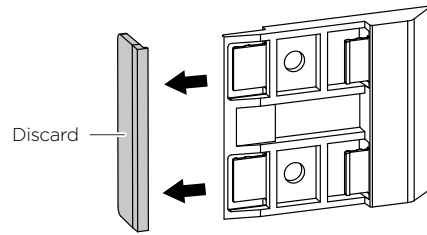
Hacksaw



Pencil

- 1 Break off the datum lip to each side trim bracket and discard.

Repeat for all side trim brackets.



For 80 (2032mm) cavity installation only

- 2 Measure 4" (102mm) from the top of the side trim with a square ruler and mark a cutting line (A).
- 3 Cut along the line using a fine tooth hacksaw to a length of 76" (1930mm) (B).

IMPORTANT!

- Ensure the cut is straight and square as this is an exposed surface.
- Ensure the plastic part does not bend as this can cause visual stress marks.

Repeat for all side trims.

- 4 Place 3 side trim brackets onto each side trim.

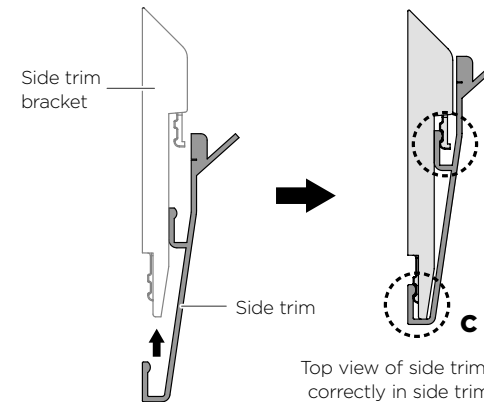
Note: Measure from the top of the trim, with the short lip at the bottom.

Refer to (B) for 80" and 84" bracket locations and trim orientation.

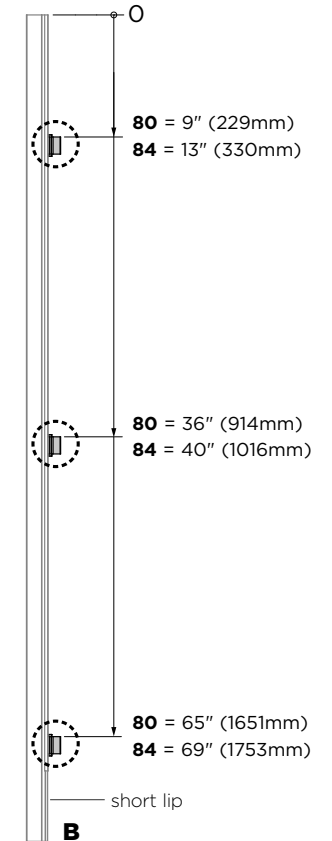
IMPORTANT!

Each bracket has two engagement points for the side trim to locate. Ensure the trim is engaged in both points (C).

Repeat for all side trims.



Top view of side trim engaged correctly in side trim bracket



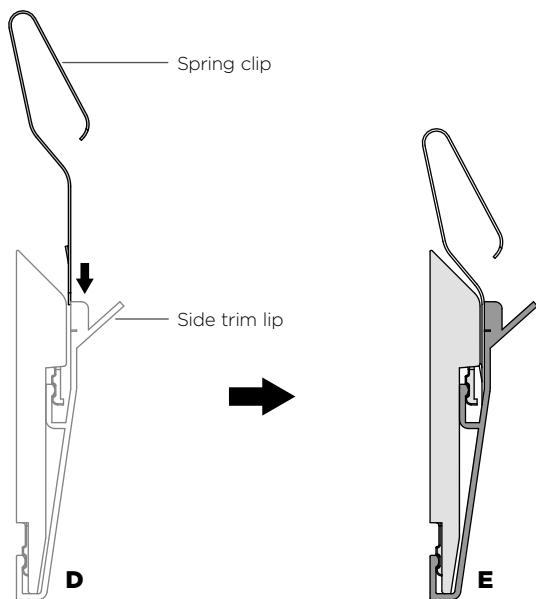
25 CABINET TRIMS INSTALLATION— [A] FLEXIBLE SPRING CLIP METHOD

- ⑤ Insert the spring clip into the gap between the side trim and side trim bracket, orientation as shown in figures (D) and (E).

IMPORTANT!

Ensure spring clip is correctly oriented with the open loop facing the side trim lip.

Repeat for all side trims.



Top view of spring clip correctly inserted between side trim and side trim bracket

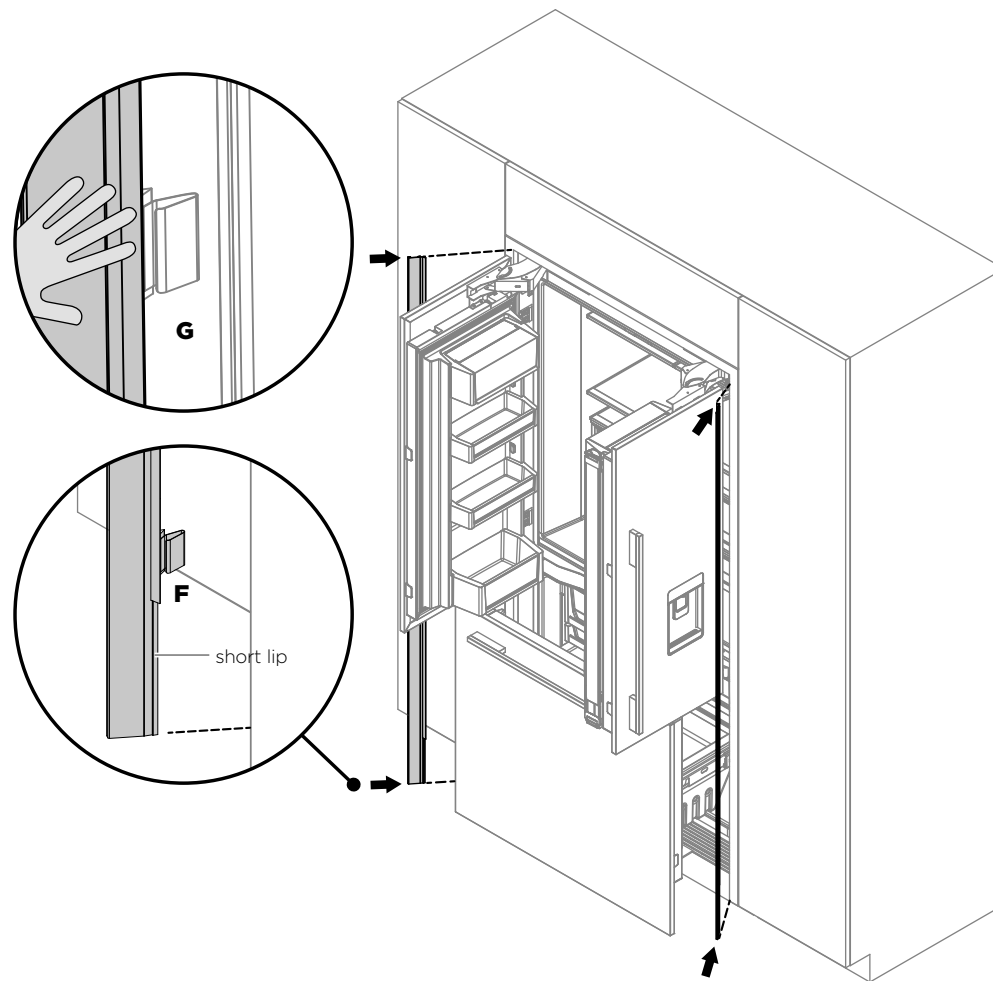
- ⑥ Open the French doors. Place the assembled side trim with brackets and spring clips against the alcove side wall with the shorter lip facing the bottom (F).

IMPORTANT!

Ensure the side trim is positioned as high as it will go.

Push the side trim at each bracket location until there are no visible gaps between the trim and cabinetry (G).

Repeat for all side trims.



Internal box

D Cabinet side trim install kit

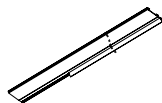


Side trim bracket (6)



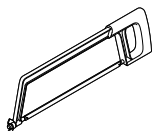
#8x16 mush washer screw (12)

External box

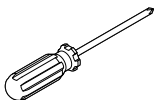


Cabinet side trim (2)

Tools



Hacksaw



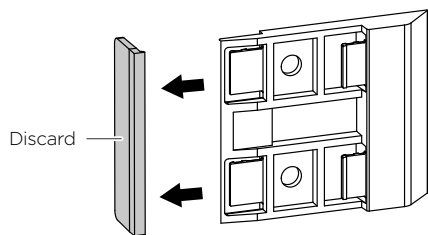
Cross-head screwdriver



Pencil

- ① Break off the datum lip to each side trim bracket and discard.

Repeat for all side trim brackets.



- ④ Position three side trim brackets on one side trim. Refer to (B) for bracket locations.
- ⑤ Open the French doors. Measure 2" (50mm) from the front of cabinet (from behind the doors), to the front of the alcove and accurately mark a vertical line (C).
- ⑥ Align the bracket edge with the marked line and fix the bracket to the cabinetry with #8x16 mush washer screws (D).

Repeat on the opposite side.

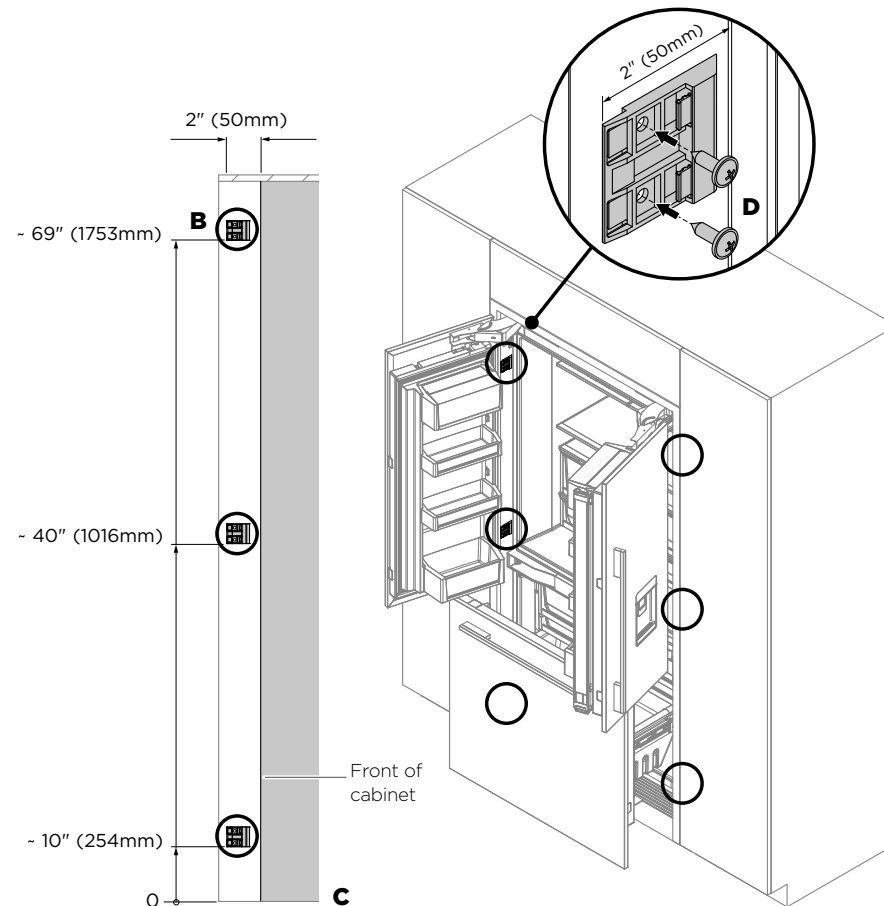
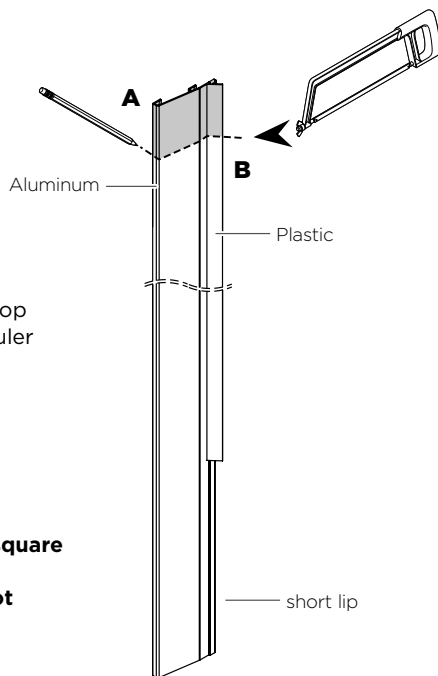
IMPORTANT!
Inaccurate positioning of bracket can result in inability to fit side trim or gaps between side trim and refrigerator.

For 80" (2032mm) cavity installation only

- ② Measure 4" (102mm) from the top of the side trim with a square ruler and mark a cutting line (A).
- ③ Cut along the line using a fine tooth hacksaw to a length of 76" (1930mm) (B).

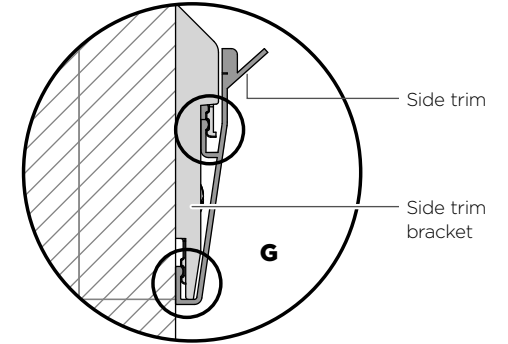
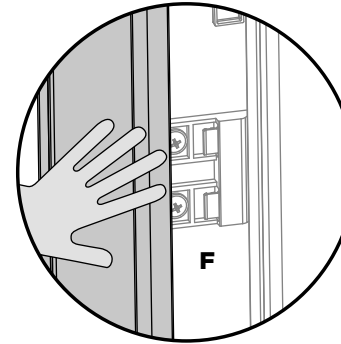
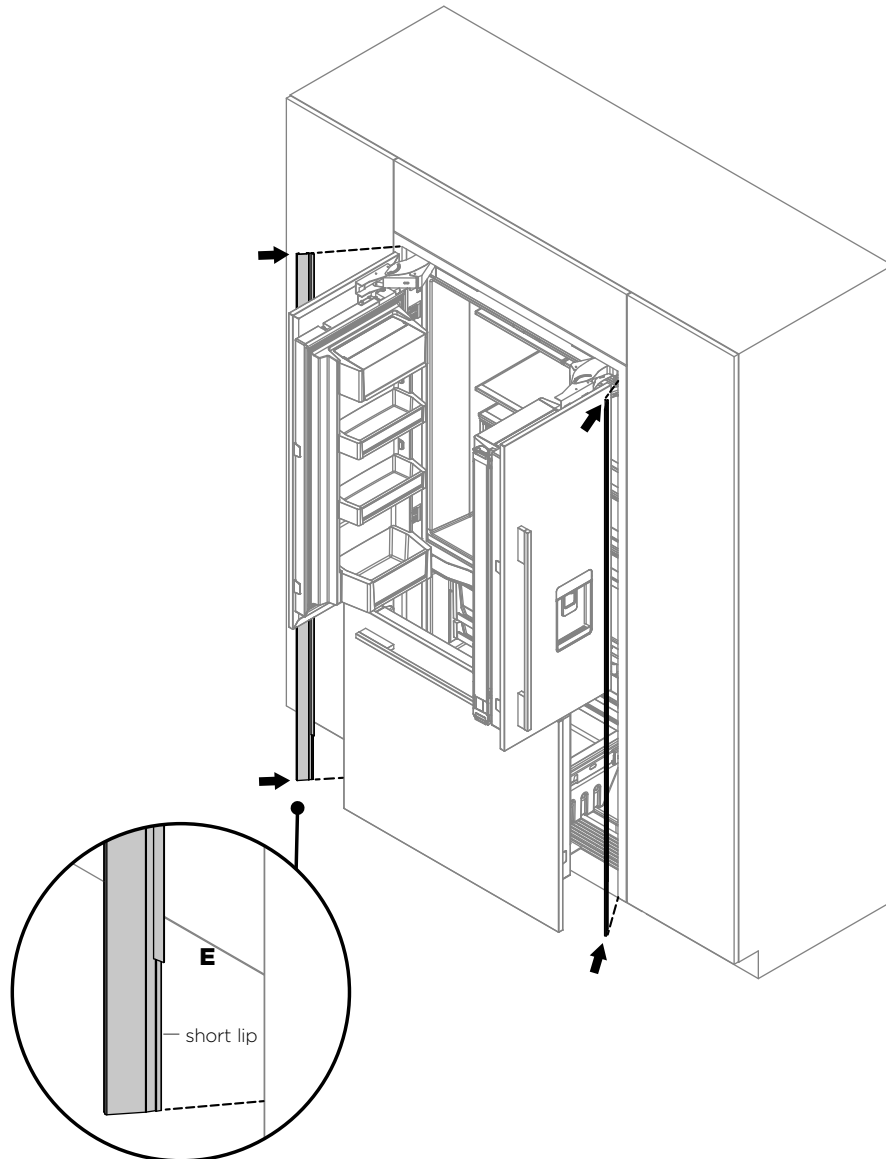
- IMPORTANT!**
- Ensure the cut is straight and square as this is an exposed surface.
 - Ensure the plastic part does not bend as this can cause visual stress marks.

Repeat for the remaining side trim.



26 CABINET TRIMS INSTALLATION – [B] FIXED SCREW METHOD

- ⑦ Place the side trim against the alcove side wall with the shorter lip facing the bottom (E).
- Ensure the side trim is positioned as high as it will go.



Top view of side trim engaged correctly in side trim bracket

- ⑧ Engage the side trim with the brackets by pushing the trim inwards at the locations of the top and middle side trim brackets.
- ⑨ Once the trim has engaged with top and middle brackets, push and engage the side trim at the location of the bottom bracket (F).

Repeat for the remaining side trims.

IMPORTANT!

- Each bracket has two engagement points for the trim to locate. Ensure the trim is engaged at both points (G).
- Ensure there are no visual gaps between the appliance and side trims.
- Adjust the gaps by loosening the side trim screws and moving the trim within clearance. If further adjustment is required, relocate brackets to desired position.

**TO BE COMPLETED BY THE INSTALLER****All models**

- Ensure all internal and external packaging is removed from the appliance before use.
- Check all parts are installed.
- Ensure the appliance is level.
- Ensure the appliance is securely fastened to the cabinetry with the supplied anti-tip bracket and fittings.
- Ensure the doors/drawer can open and close freely with no resistance from surrounding cabinetry.
- Ensure hinge limiting pin is fitted for 90° door swing.

Ice and Water models only

- Ensure the water filtration system has been flushed.
- Ensure a manual ice maker cycle has been forced.

Complete and keep for safe reference:

Model _____

Serial No. _____

Purchase Date _____

Purchaser _____

Dealer Address _____

Installer's Name _____

Installer's Signature _____

Installation Company _____

Installation Date _____

FISHERPAYKEL.COM

© Fisher & Paykel Appliances 2019. All rights reserved.
The appliance specifications in this booklet document to the specific appliances and models described at the date of issue. Under our policy of continuous appliance improvement, these specifications may change at any time. You should therefore check with your Dealer to ensure this booklet correctly describes the appliance currently available.

F I S H E R & P A Y K E L

**RÉFRIGÉRATEUR-CONGÉLATEUR ENCASTRABLE
ACTIVESMART™ À PORTES FRANÇAISES**

Modèles RS36A80

GUIDE D'INSTALLATION

US CA

844183B 06.19

TABLE DES MATIÈRES

① CONSIGNES DE SÉCURITÉ ET MISES EN GARDE		
② PIÈCES		
③ OUTILS		
④ DIMENSIONS DE L'APPAREIL ET DE LA CAVITÉ		
⑤ OPTIONS D'ARMOIRES		
⑥ DIMENSIONS DE PANNEAU DE PORTE ET DE PLINTHE EN ACIER INOXYDABLE		
⑦ DIMENSIONS DE PANNEAU DE PORTE ET DE PLINTHE SUR MESURE		
⑧ DIMENSIONS D'INSTALLATION DE PANNEAU DE PORTE SUR MESURE		
⑨ GABARIT D'INSTALLATION DE PANNEAU DE PORTE SUR MESURE		
⑩ DÉGAGEMENT DE LA PORTE		
⑪ Raccordement électrique et plomberie		
⑫ AVANT L'INSTALLATION		
⑬ PRÉPARATION DE LA CAVITÉ		
⑭ ALIMENTATION EN EAU ET ALIMENTATION ÉLECTRIQUE		
⑮ INSTALLATION DE LA GARNITURE SUPÉRIEURE		
⑰ POSITIONNEMENT DANS LES ARMOIRES		
⑱ ALIGNEMENT DANS LES ARMOIRES		

⑲ INSTALLATION DE PANNEAU DE PORTE – EN ACIER INOXYDABLE	OR	⑳ INSTALLATION DE PANNEAU DE PORTE – SUR MESURE

⑳		
⑳ Fixation aux armoires		
㉑ INSTALLATION DU FILTRE À EAU		
㉒ INSTALLATION DE LA PLINTHE		
㉓ INSTALLATION DES GARNITURES DE PORTE ET TIROIR		

㉔ INSTALLATION DES GARNITURES DE BÂTI – [A] MÉTHODE AVEC CLIP DE FIXATION FLEXIBLE	OR	㉕ INSTALLATION DES GARNITURES DE BÂTI – [B] MÉTHODE AVEC VIS FIXÉE

㉖ LISTE DE VÉRIFICATION		

IMPORTANT! CONSERVEZ CES INSTRUCTIONS

Les modèles illustrés dans ce guide d'installation peuvent ne pas être disponibles dans tous les pays et sont sujets à modifications sans préavis. Pour les plus récentes informations sur la disponibilité des modèles et des caractéristiques dans votre pays, visitez notre site [Web fisherpaykel.com](http://fisherpaykel.com) ou contactez votre détaillant Fisher & Paykel local.

⚠ MISE EN GARDE!



Risque de choc électrique
Lisez et observez les consignes de sécurité et mises en garde contenues dans ce guide d'installation avant d'utiliser ce produit.
Le fait de ne pas respecter ces consignes peut causer la mort, un choc électrique, un incendie ou des blessures.

⚠ MISE EN GARDE!



Risque de coupure
Attention—les bords du panneau sont tranchants. Des blessures ou des coupures peuvent survenir si vous ne faites pas preuve de prudence.

⚠ MISE EN GARDE!



Comme ce produit est lourd du haut, vous devez le fixer pour éviter qu'il ne bascule vers l'avant.
Pour assurer la stabilité du produit dans toutes les conditions d'utilisation, le support antibasculement et les raccords fournis doivent être installés par un installateur professionnel, conformément aux instructions d'installation suivantes.

IMPORTANT!

- Il est très important que l'installateur suive les instructions de ce guide d'installation pour assurer l'installation et le fonctionnement convenables du produit. Assurez-vous de lire attentivement le guide d'installation et de bien comprendre toutes les informations.
- Le raccordement de la conduite d'eau à votre produit Glaçons et eau doit être effectué par un plombier autorisé ou un technicien de service formé et supporté par Fisher & Paykel, conformément à toutes les réglementations provinciales et locales.
- L'installation et l'utilisation DOIVENT être conformes à tous les codes de plomberie provinciaux et locaux. Communiquez avec votre service local de travaux publics pour prendre connaissance des codes de plomberie.
Vous devez vous conformer à ces directives lors de l'installation du système de filtration d'eau.
- Pour éviter des maladies graves, voire mortelles, raccordez uniquement votre filtre à une alimentation en eau potable.
- La cartouche de filtre à eau doit être remplacée lorsque l'icône de remplacement de filtre s'allume. Cela se produira tous les 6 mois.
- Si le système de filtration d'eau gèle, remplacez le filtre. Le fait de ne pas remplacer le filtre jetable aux intervalles recommandés pourrait compromettre le rendement du filtre et causer une défaillance, entraînant des dommages matériels provoqués par des fuites d'eau ou inondations.
- Si vous constatez que le filtre se bouche très rapidement— nous vous recommandons de consulter un plombier ou de contacter les responsables de votre réseau de distribution d'eau pour obtenir des conseils sur la filtration de l'eau provenant du réseau.
- Le remplacement du filtre est effectué sous l'entière responsabilité du client et n'est pas couvert par la garantie, sauf si des pièces ou matériaux du filtre s'avéraient défectueux.
- Si l'eau n'a pas été utilisée pour produire des glaçons pendant un certain temps ou si les glaçons présentent un goût ou une odeur désagréable, jetez les glaçons et reportez-vous aux instructions de rinçage indiquées dans la section d'installation de ce guide d'utilisation / guide d'installation. Si le goût ou l'odeur persiste, vous pouvez remplacer le filtre.
- Utilisez le tuyau neuf fourni avec le produit. NE réutilisez PAS d'anciens tuyaux ayant servi pour d'anciens raccordements de distribution d'eau et de glaçons.
- Votre système de filtration d'eau peut résister à une pression d'eau maximale de 120 psi (827 kPa). Assurez-vous d'installer le réducteur de pression fourni avant l'installation du système de filtration d'eau. N'installez PAS ce filtre si la pression de l'eau dépasse 120 psi (827 kPa).

Pour réduire les risques associés aux dommages matériels provoqués par des fuites d'eau ou inondations :

- N'installez PAS les systèmes dans les endroits où les températures ambiantes peuvent dépasser 100 °F (38 °C) ou descendre en dessous de 33 °F (0,6 °C).
- N'installez PAS le filtre sur des conduites d'alimentation en eau chaude. La température maximale de l'eau pour l'utilisation de ce système de filtration est de 100 °F (38 °C).
- N'installez PAS le filtre à un endroit où des coups de bélier peuvent survenir.
En présence de coups de bélier, vous devez installer un dispositif antibélier.

MISE EN GARDE!

Pour réduire les risques de suffocation :

- NE permettez PAS aux enfants de moins de 3 ans d'accéder aux petites pièces pendant l'installation du filtre à eau.

Boîte interne (Ensemble d'installation)

À l'intérieur de l'appareil

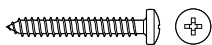
A Ensemble d'assemblage de support antibasculement



Support antibasculement
(1)



Cheville pour maçonnerie
(4)



Vis cruciforme n° 10x40
(4)

B Ensemble de fixation de panneau de porte



Support latéral
(10)

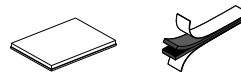


Bande latérale
(10)



Vis rondelle n° 8x16 (Sur mesure)
(36)

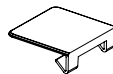
C Ensemble d'installation de garniture de porte/tiroir



Languettes adhésives double face
(6 pour chaque bande) (12)



Couvercle latéral
(4)



Couvercle supérieur
(2)

D Ensemble d'installation de garniture latérale de bâti



Support de garniture latérale
(6)



Clip de fixation
(6)



Vis rondelle n° 8x16
(12)

E Ensemble d'installation de garniture supérieure



Support de garniture supérieure de bâti
(2)

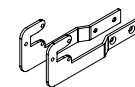


Écrou M5
(4)



Vis cruciforme M5x8
(4)

F Ensemble d'installation de support latéral



Supports de base latéraux (gauche/droit)
(2)



Vis cruciforme à tête fraisée M5x8
(4)



Vis cruciforme M5x10
(10)

G Ensemble d'installation de support de fixation



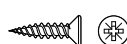
Support de fixation
(4)



Vis cruciforme à tête fraisée M5x8
(8)

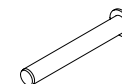


Cache-vis
(4)

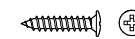


Vis à double filetage n° 8x19
(8)

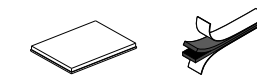
Z Miscellaneous components



Tige de limitation de charnière
(1)



Vis à tête cylindrique n° 8x16
(3)

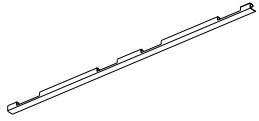


Languettes adhésives double face
(6)

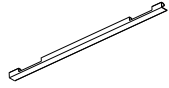
② PIÈCES

Boîte externe

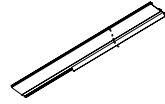
À l'intérieur de l'appareil



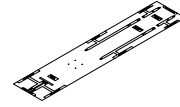
Garniture latérale de porte
(2)



Garniture latérale de tiroir
(2)



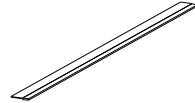
Garniture latérale de bâti
(2)



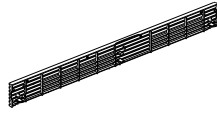
Gabarit double face de panneau de porte
(1)



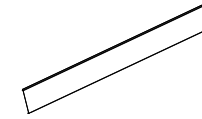
Garniture supérieure
(1)



Garniture supérieure de tiroir
(1)



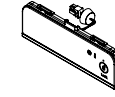
Grille du haut
(1)



Plinthe
(1)

Afficheur Glaçons et eau

(Modèles Glaçons et eau uniquement)
À l'intérieur de l'appareil



Module d'affichage externe
(1)

Emballage d'articles divers

À l'intérieur de l'appareil



Guide d'utilisation
(1)



Service et garantie
(1)



Guide d'installation
(1)



Outil de cartouche filtrante
(1)



Diviseur de débit d'air
(1)

Ensemble de raccords d'alimentation en eau

À l'intérieur de l'appareil



Clip de blocage de collet
(1)



Filtre à eau
(1)



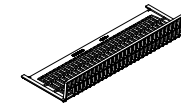
1/4 po (6 mm) Tuyau tressé en
acier inoxydable avec adaptateur
(1)



adaptateur de tube
(1)

Filtre de plinthe

À l'intérieur de l'appareil



Filtre de plinthe
(1)

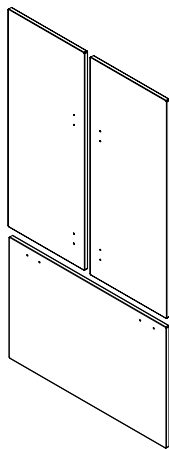
② PIÈCES

Ensemble de panneau de porte

Non fourni; vendu séparément

Ensemble de panneau de porte en acier inoxydable (Fisher & Paykel) :

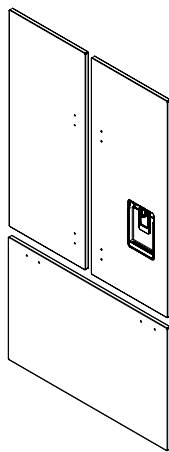
Comprend 2x panneaux de portes françaises et 1x panneau de tiroir.



Ensemble de panneau de porte pour modèles
Glaçons uniquement
(RD3680/RD3684)



Vis rondelle cruciforme M5x14
(acier inoxydable) (34)



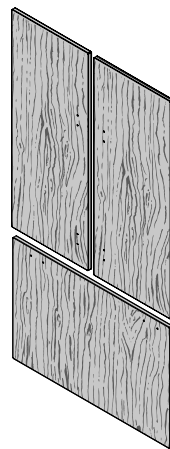
Ensemble de panneau de porte pour modèles
Glaçons et eau
(RD3680U/RD3684U)



Vis rondelle cruciforme M5x14
(acier inoxydable) (34)

Ensemble de panneau de porte sur mesure :

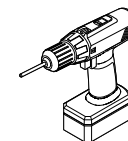
Fourni par le client, adapté aux armoires.
Convient aux modèles Glaçons uniquement.



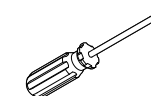
③ OUTILS

Outils requis

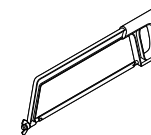
Non compris avec le produit



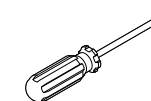
Visseuse électrique



Tournevis à pointe plate



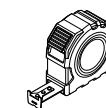
Scie à métaux



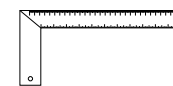
Tournevis cruciforme



Couteau à lame rétractable



Ruban à mesurer



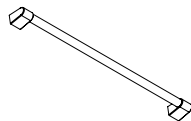
Règle



Crayon

Ensemble de poignée de porte

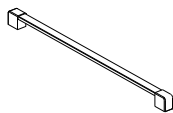
Non fourni; vendu séparément. Sélectionnez l'une des options ci-dessous :



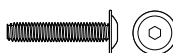
Poignée de porte arrondie
de style professionnel (3x)



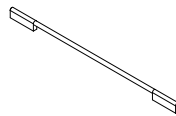
Vis à tête creuse cylindrique
M5x25 (12x)



Poignée de porte carrée
de style professionnel (3x)



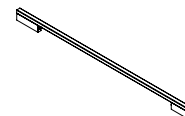
Vis à tête creuse cylindrique
M5x25 (12x)



Poignée de porte arrondie
de style contemporain (3x)



Vis à tête creuse cylindrique
M5x25 (12x)



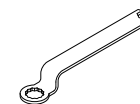
Poignée de porte carrée
de style contemporain (3x)



Vis à tête creuse cylindrique
M5x25 (12x)

Outils fournis

Compris dans la boîte interne

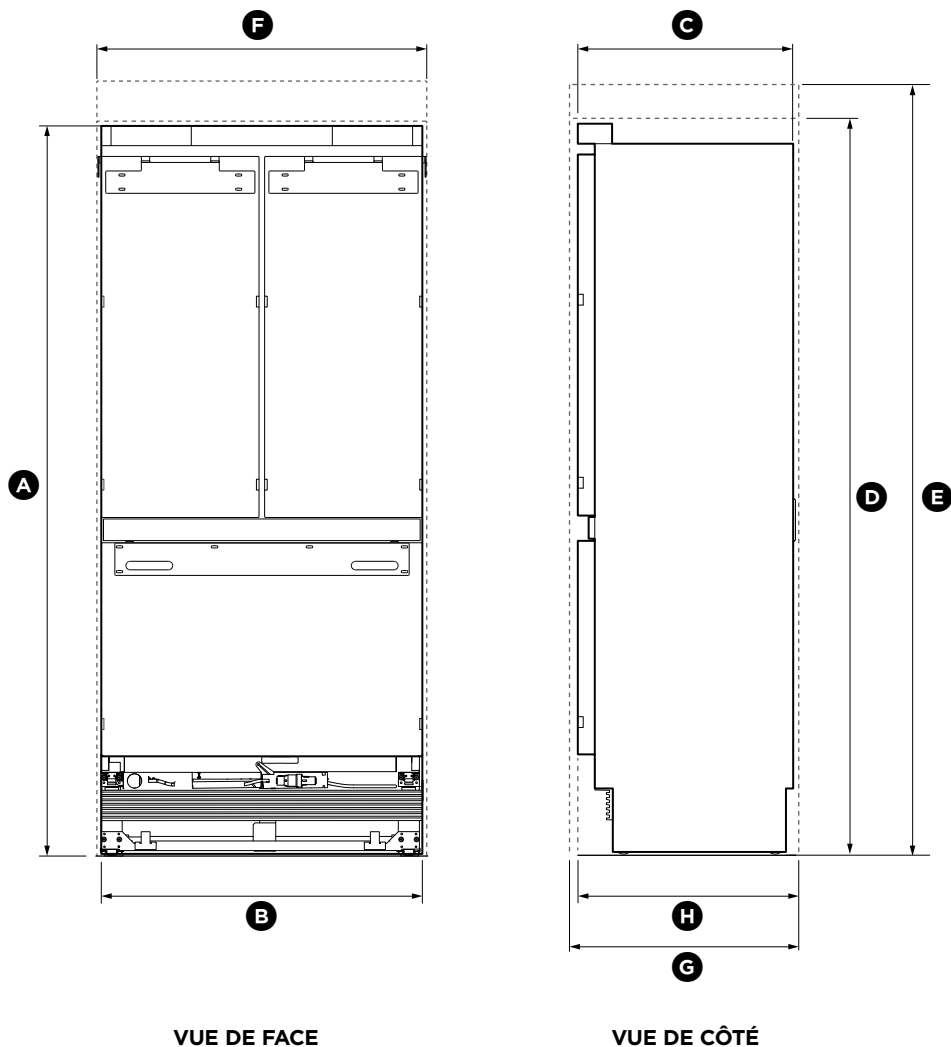


Clé FPA
(1)



Clé hexagonale
(1)

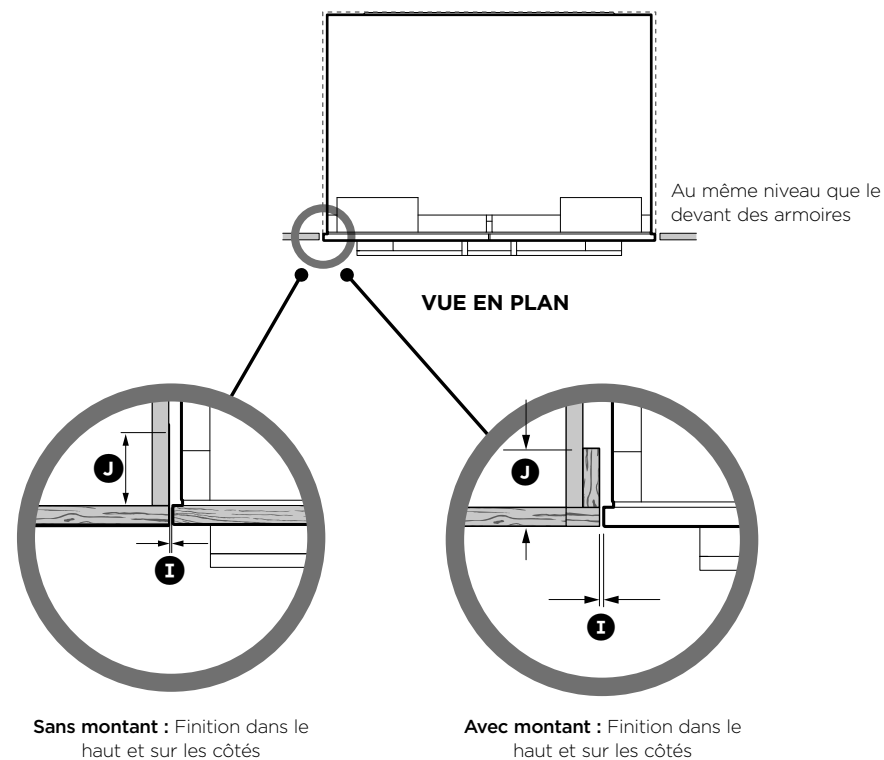
4 DIMENSIONS DE L'APPAREIL ET DE LA CAVITÉ



DIMENSIONS DE L'APPAREIL		po	mm
Ⓐ	Hauteur hors tout de l'appareil*	79 13/16	2 028
Ⓑ	Largeur hors tout de l'appareil	35 11/16	906
Ⓒ	Profondeur hors tout de l'appareil (sans les panneaux de portes)	23 3/4	603

IMPORTANT!

Pour faciliter l'installation, assurez-vous que la largeur et la hauteur de la cavité soient uniformes du haut vers le bas et de gauche à droite.

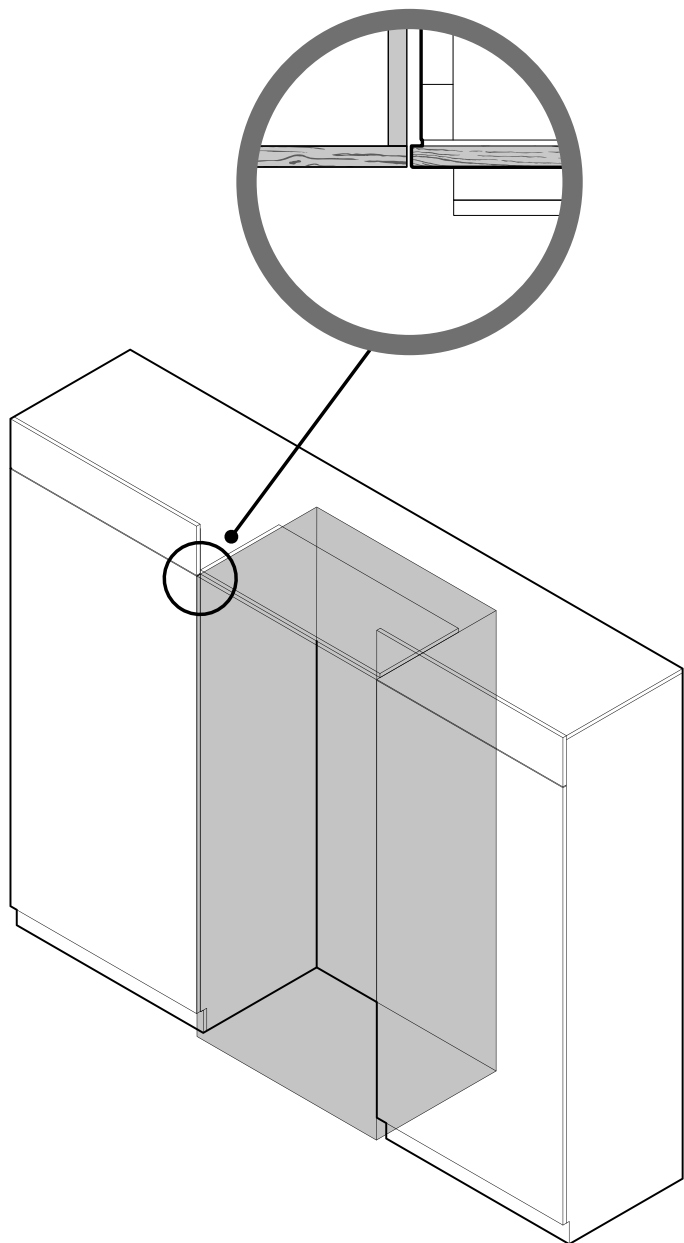


DIMENSIONS DE LA CAVITÉ		po	mm
Ⓓ	Hauteur hors tout de la cavité (pour appareil avec ensemble de panneau de porte RD3680)	80	2 032
Ⓔ	Hauteur hors tout de la cavité (pour appareil avec ensemble de panneau de porte RD3684)	84	2 134
Ⓕ	Largeur hors tout de la cavité	36	914
Ⓖ	Profondeur hors tout de la cavité (pour installation encastrée)	25	635
Ⓗ	Profondeur hors tout de la cavité (pour installation superposée)	24 3/4	629
Ⓘ	Dégagement minimal des armoires à partir du bord de l'appareil	3/16	4
⓵	Finition minimale requise	min. 3 1/2	89

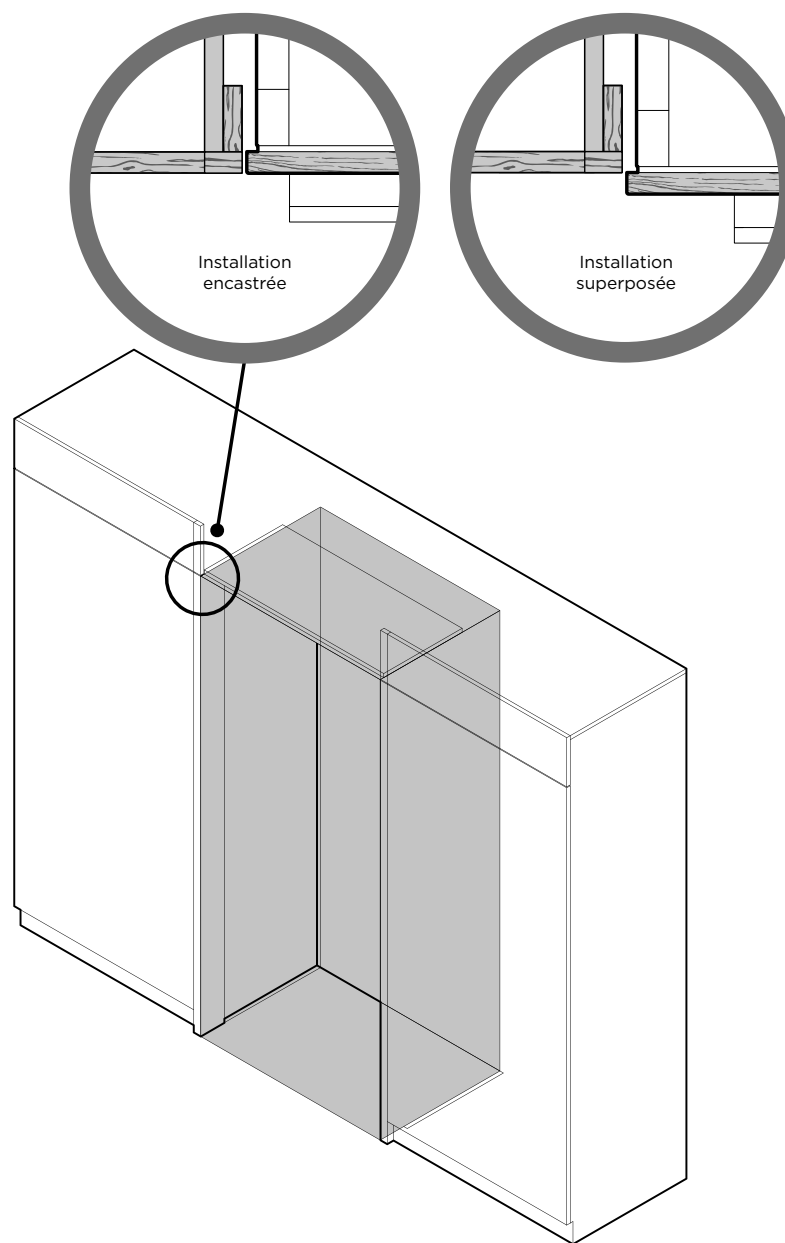
* Comprenant les pattes installées

5 OPTIONS D'ARMOIRES

ARMOIRES SANS MONTANT
(Alignement du produit avec les armoires)

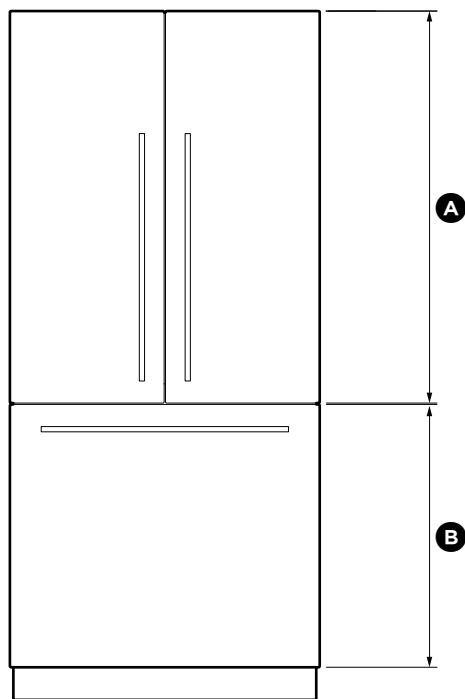


ARMOIRES AVEC MONTANT
(Alignement du produit avec le montant des armoires)

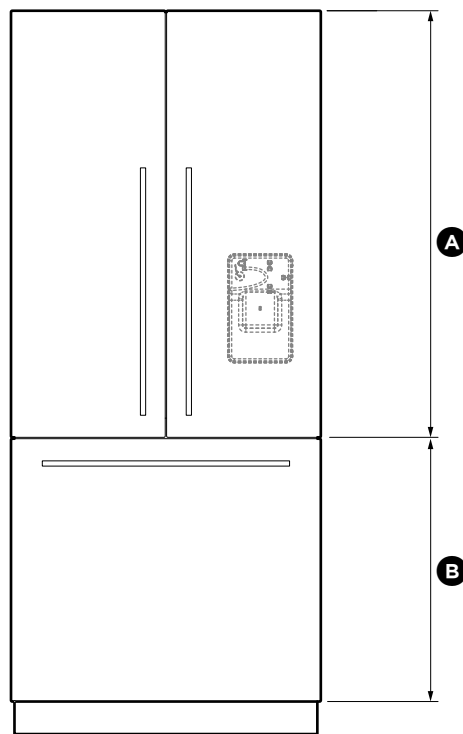


Remarque : Les illustrations sont fournies uniquement à titre de référence et ne représentent pas la largeur de cavité réelle.

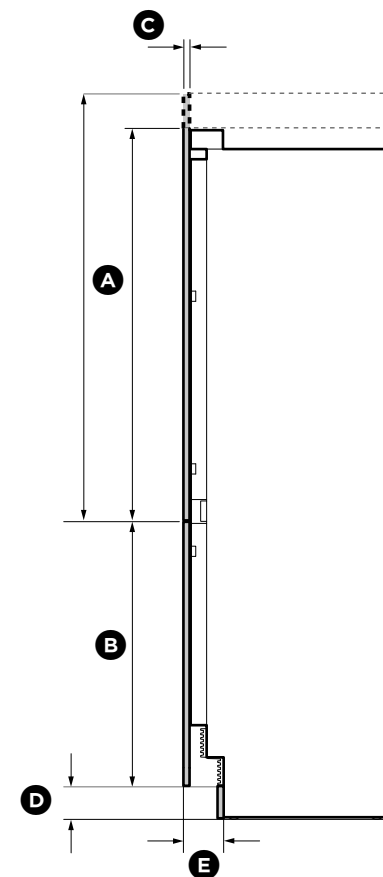
⑥ DIMENSIONS DE PANNEAU DE PORTE ET DE PLINTHE EN ACIER INOXYDABLE



ENSEMBLE DE PANNEAU DE PORTE
RD3680



ENSEMBLE DE PANNEAU DE PORTE
RD3684U



DIMENSIONS DES ENSEMBLES DE PANNEAUX DE PORTES	RD3680/RD3680U		RD3684/RD3684U	
	po	mm	po	mm
Ⓐ Hauteur des panneaux de portes supérieurs	45 1/4	1 150	49 5/16	1 252
Ⓑ Hauteur du panneau de tiroir inférieur	30 3/8	772	30 3/8	772
Ⓒ Profondeur des panneaux avant du produit (excluant les poignées)	3/4	19	3/4	19

Remarque :

- Les panneaux de portes en acier inoxydable Fisher & Paykel ne sont pas fournis et doivent être achetés séparément. N° de modèle RD3680/RD3684 (modèle Glaçons uniquement) et n° de modèle RD3680U/RD3684U (modèle Glaçons et eau).

POIDS DU PANNEAU DE PORTE	lb	kg
Poids maximal du panneau de porte supérieur (avec poignée)	22	10
Poids maximal du panneau de tiroir (avec poignée)	24 1/4	11

DIMENSIONS DE PANNEAU DE PLINTHE	po	mm
Ⓓ Hauteur du panneau de plinthe	4	102
Ⓔ Profondeur de la plinthe (mesurée à partir du devant des panneaux de portes)	4 3/4	120

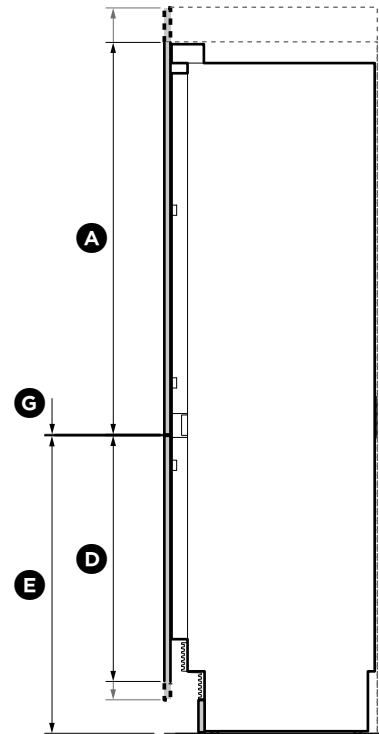
Remarque :

- Une plinthe en acier inoxydable d'une hauteur de 4 po (102 mm) est fournie avec le produit. Les clients doivent fournir leur propre plinthe sur mesure, d'une hauteur de 4 à 6 po (102 à 152 mm).
- Pour une plinthe dont la hauteur est supérieure à 4 po, raccourcissez la grille inférieure en conséquence. Reportez-vous à 'Installation de la plinthe' pour plus d'informations.

7 DIMENSIONS DE PANNEAU DE PORTE ET DE PLINTHE SUR MESURE

IMPORTANT!

Les panneaux de portes/tiroir sur mesure ne conviennent qu'aux modèles Glaçons uniquement.

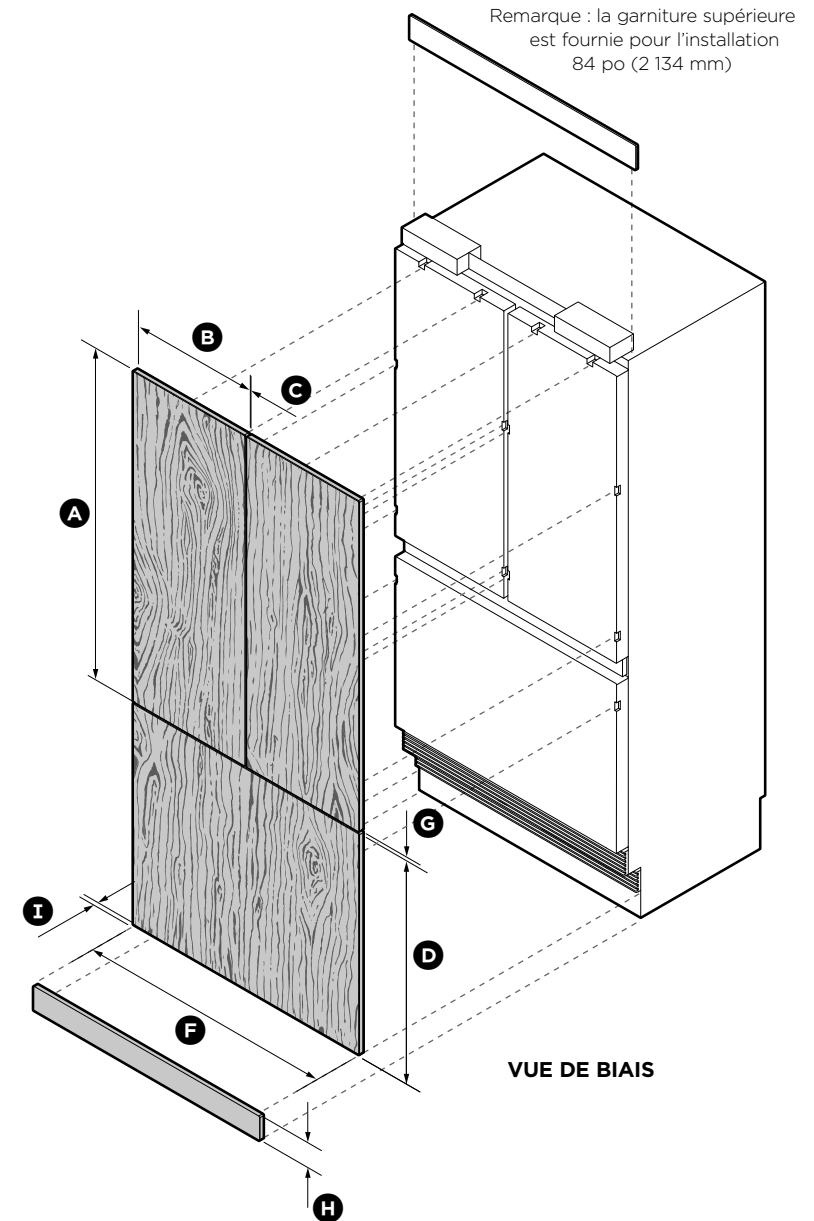


VUE DE PROFIL

DIMENSIONS	po	mm
Ⓐ Hauteur du panneau de porte supérieur	45 1/4 - 49 5/16	1 150 - 1 252
Ⓑ Largeur du panneau de porte supérieur	7 3/4	451
Ⓒ Espace entre les panneaux de portes supérieurs	3/16	4
Ⓓ Hauteur du panneau de tiroir inférieur	28 7/16 - 30 3/8	722 - 772
Ⓔ Hauteur entre le bas du produit et le dessus du panneau de tiroir inférieur	34 7/16	874
Ⓕ Largeur du panneau de tiroir inférieur	35 11/16	906
Ⓖ Espace entre les panneaux de portes supérieurs et le panneau de tiroir inférieur	3/16	4
Ⓗ Hauteur du panneau de plinthe	4 - 6	102 - 152
Ⓘ Profondeur des panneaux de portes sur mesure	5/8 - 3/4	16 - 19

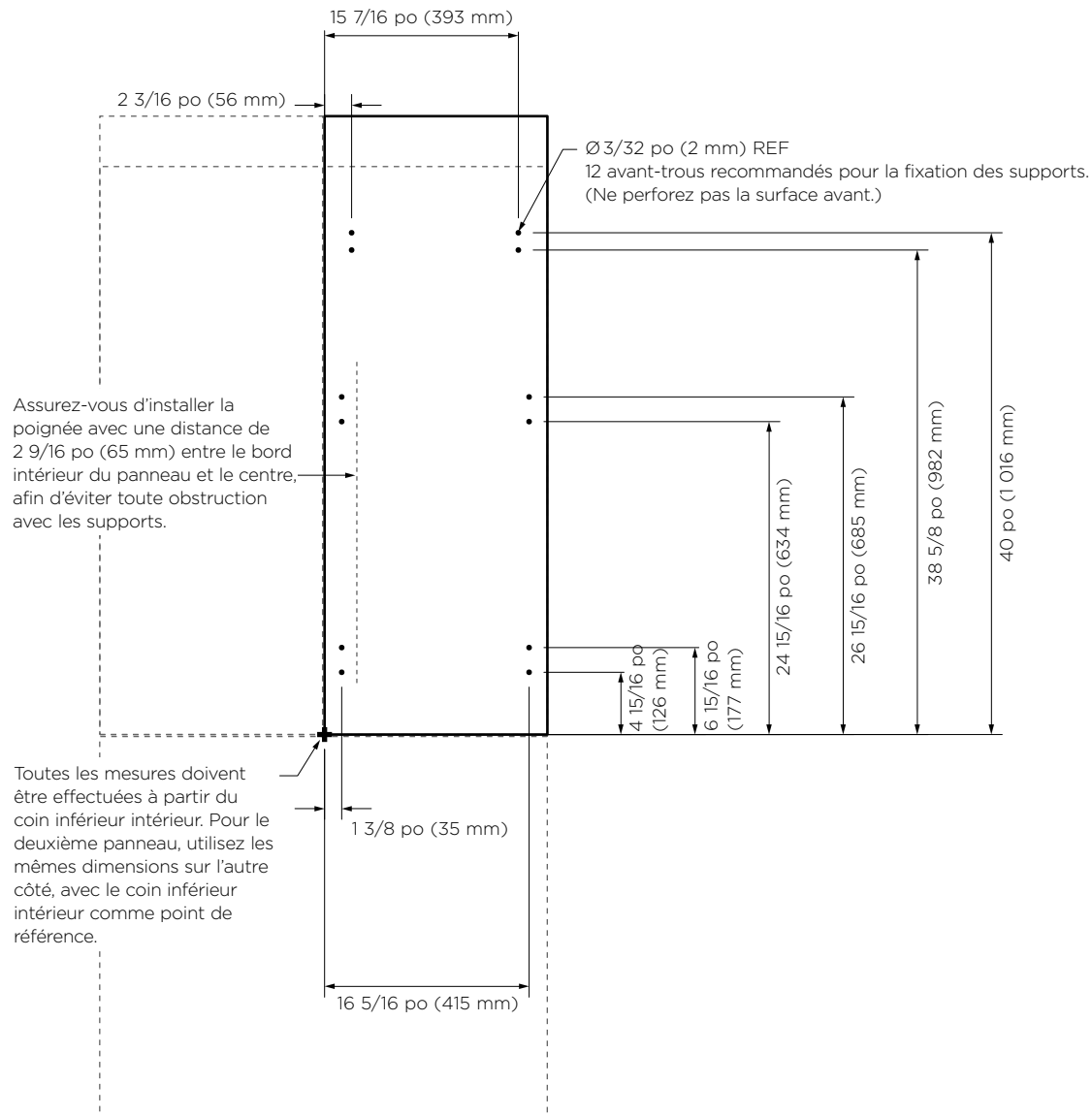
Remarque :

- Les panneaux de portes et la plinthe sur mesure doivent être fournis par le client.
- La hauteur de la plinthe sur mesure doit être de 4 à 6 po (102 à 152 mm), selon la hauteur du panneau de porte/tiroir.
- Pour une plinthe dont la hauteur est supérieure à 4 po, raccourcissez la grille inférieure en conséquence. Reportez-vous à 'Installation de la plinthe' pour plus d'informations.

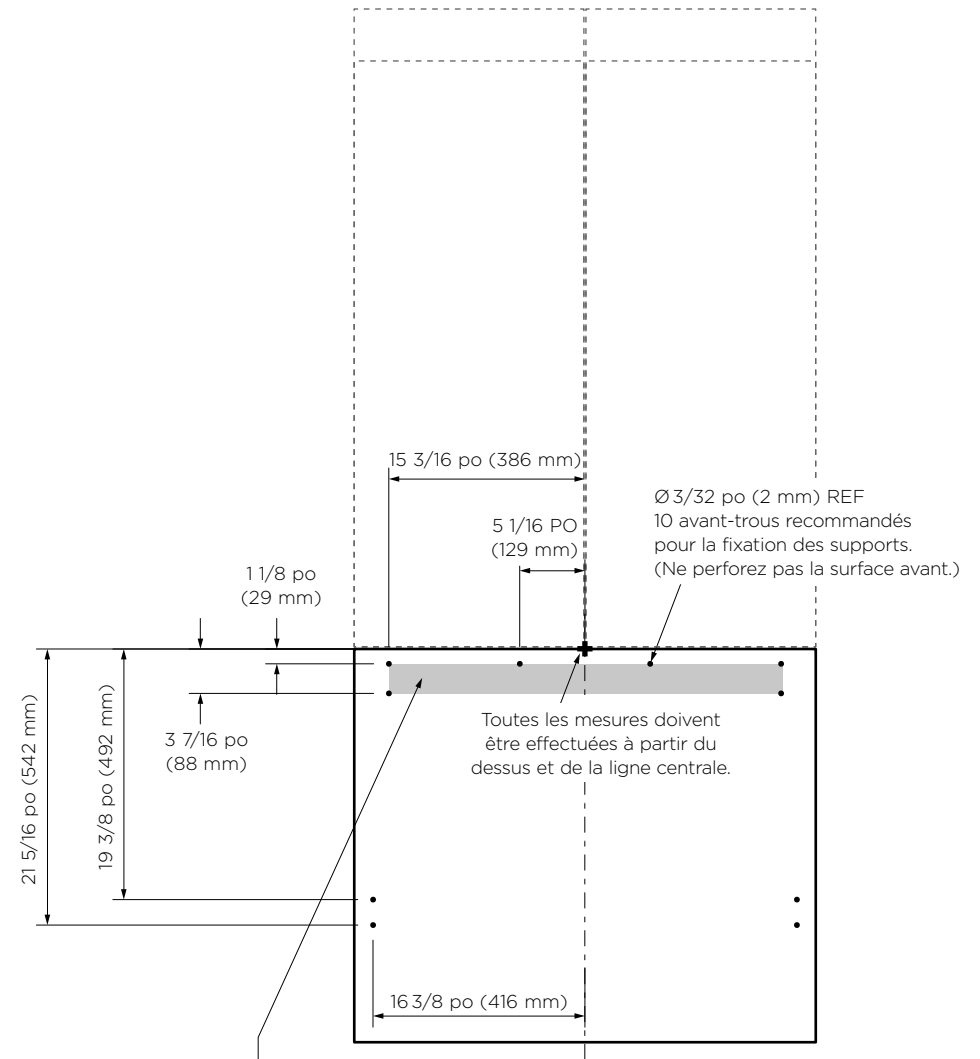


VUE DE BIAIS

Les illustrations ci-dessous concernent les modèles Glaçons uniquement RS36A80J. Les dimensions sont indiquées pour la préparation et l'installation des panneaux de portes sur mesure. Pour les fichiers Dwg et Dxf de la préparation de panneau ci-dessous, téléchargez le dossier sur thekitchentools.fisherpaykel.com.



PANNEAU SUPÉRIEUR – VUE ARRIÈRE

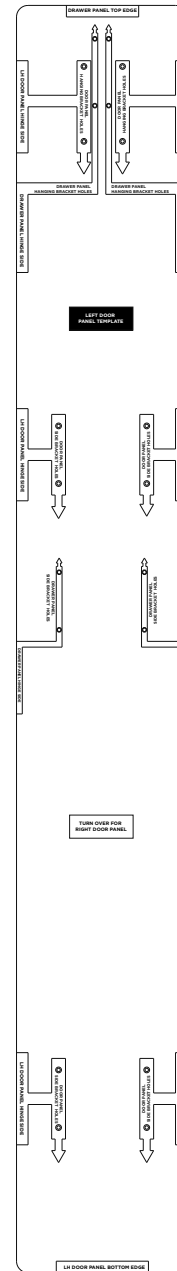


Les ouvertures sont situées dans le support de fixation pour les poignées Fisher & Paykel uniquement. Si vous devez positionner une poignée sur mesure dans la zone ombragée ci-dessus, assurez-vous que les têtes de vis de la poignée soient renforcées dans la partie arrière du panneau pour éviter toute obstruction avec le support d'accrochage.

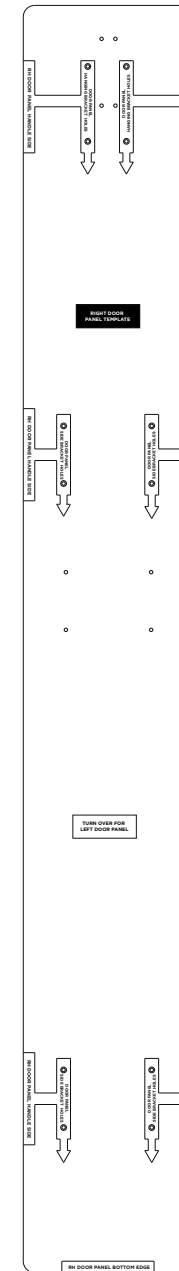
PANNEAU INFÉRIEUR – VUE ARRIÈRE

Ce gabarit est une feuille double face utilisée comme guide de perçage des trous de vis pour l'installation de vos panneaux de portes et tiroir sur mesure. Le gabarit est compris avec ce guide d'installation.

Reportez-vous à 'Installation de panneau de porte—Sur mesure' (page 27) pour plus d'informations.

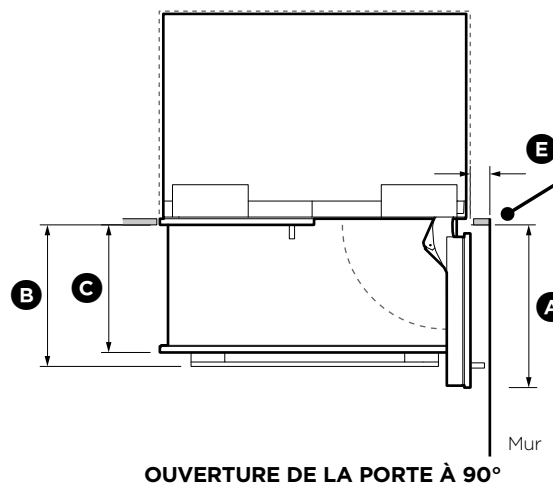
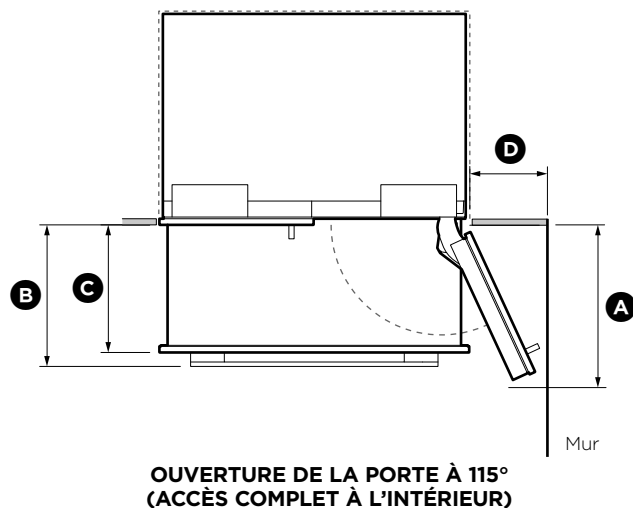


CÔTÉ DU
PANNEAU DE
PORTE GAUCHE



CÔTÉ DU
PANNEAU DE
PORTE DROIT

10 DÉGAGEMENT DE LA PORTE



Insertion de la tige de limitation de charnière

MISE EN GARDE!

- Avant d'ouvrir les portes, assurez-vous que l'appareil est stable.
- Suivez ces étapes pour éviter les risques de blessures graves ou mortelles.

Pour une rotation de porte à 90°, utilisez la tige de limitation de charnière fournie avec votre appareil. Cette tige s'insère dans les trous de la charnière supérieure.

- ① Ouvrez la porte à 90°.
- ② Insérez la tige de limitation de charnière à la verticale dans le trou.
 - Donnez un petit coup sur la tige si elle ne glisse pas facilement.

DIMENSIONS

	po	mm
① Profondeur de la porte (ouverture maximale) mesurée à partir du devant de la porte	18 7/8	480
② Profondeur du tiroir (ouvert) mesurée à partir du devant du tiroir, incluant la poignée	15 3/4	400
③ Profondeur du tiroir (ouvert) mesurée à partir du devant du tiroir, excluant la poignée	14 3/16	360
④ Dégagement minimal de la porte* par rapport au mur adjacent (115° — accès complet à l'intérieur)	12 3/8	315
⑤ Dégagement minimal de la porte* par rapport au mur adjacent (90° — accès réduit à l'intérieur)	4 5/16	110

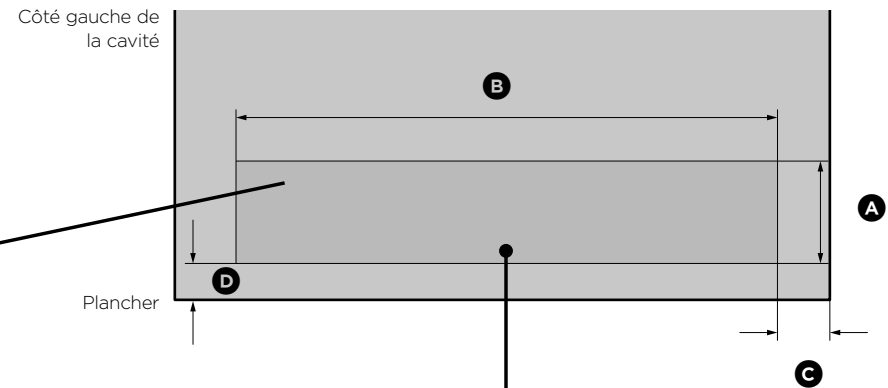
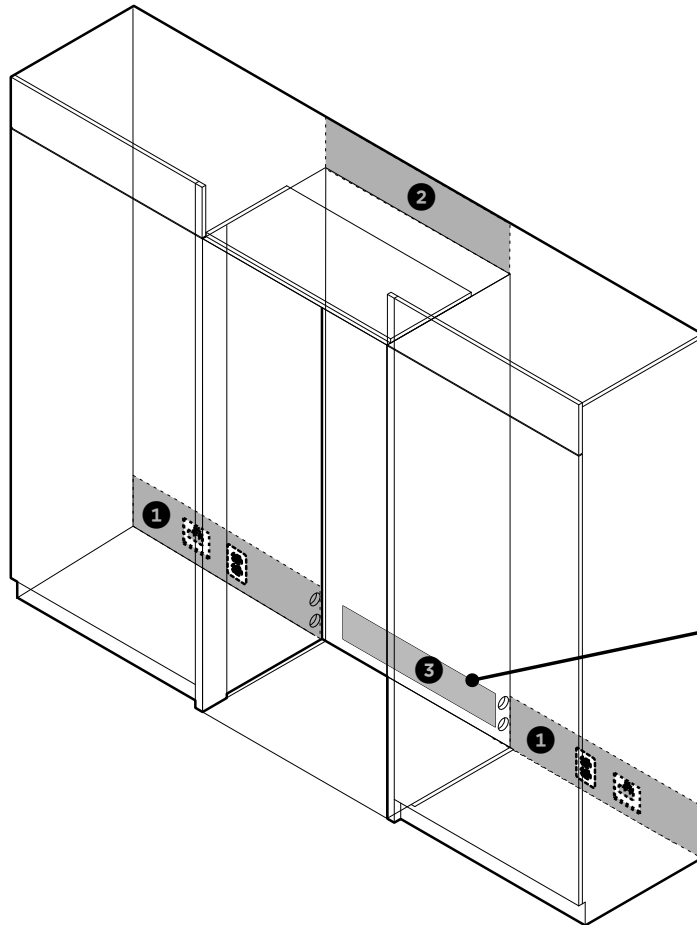
* Mesuré à partir du bord avant des armoires. Un dégagement supplémentaire de 3/4 po (20 mm) est requis lors de l'utilisation des ensembles de panneaux de portes RD3680 et RD3684.

IMPORTANT!

- Le raccordement électrique doit être situé dans une armoire adjacente d'un côté ou de l'autre du produit, ou encore au-dessus de la cavité du produit.
- Nous recommandons d'utiliser un interrupteur de sectionnement auquel l'utilisateur pourra facilement accéder après l'installation du produit.

MISE EN GARDE!

- Risque de choc électrique. Présumez que toutes les pièces sont sous tension.
- Déconnectez l'alimentation avant de procéder à l'entretien et à l'installation.



Les raccordements de l'alimentation en eau et de l'alimentation électrique doivent être dans cet espace, s'ils sont situés derrière l'appareil

RACCORDEMENTS D'ALIMENTATION ÉLECTRIQUE ET DE PLOMBERIE

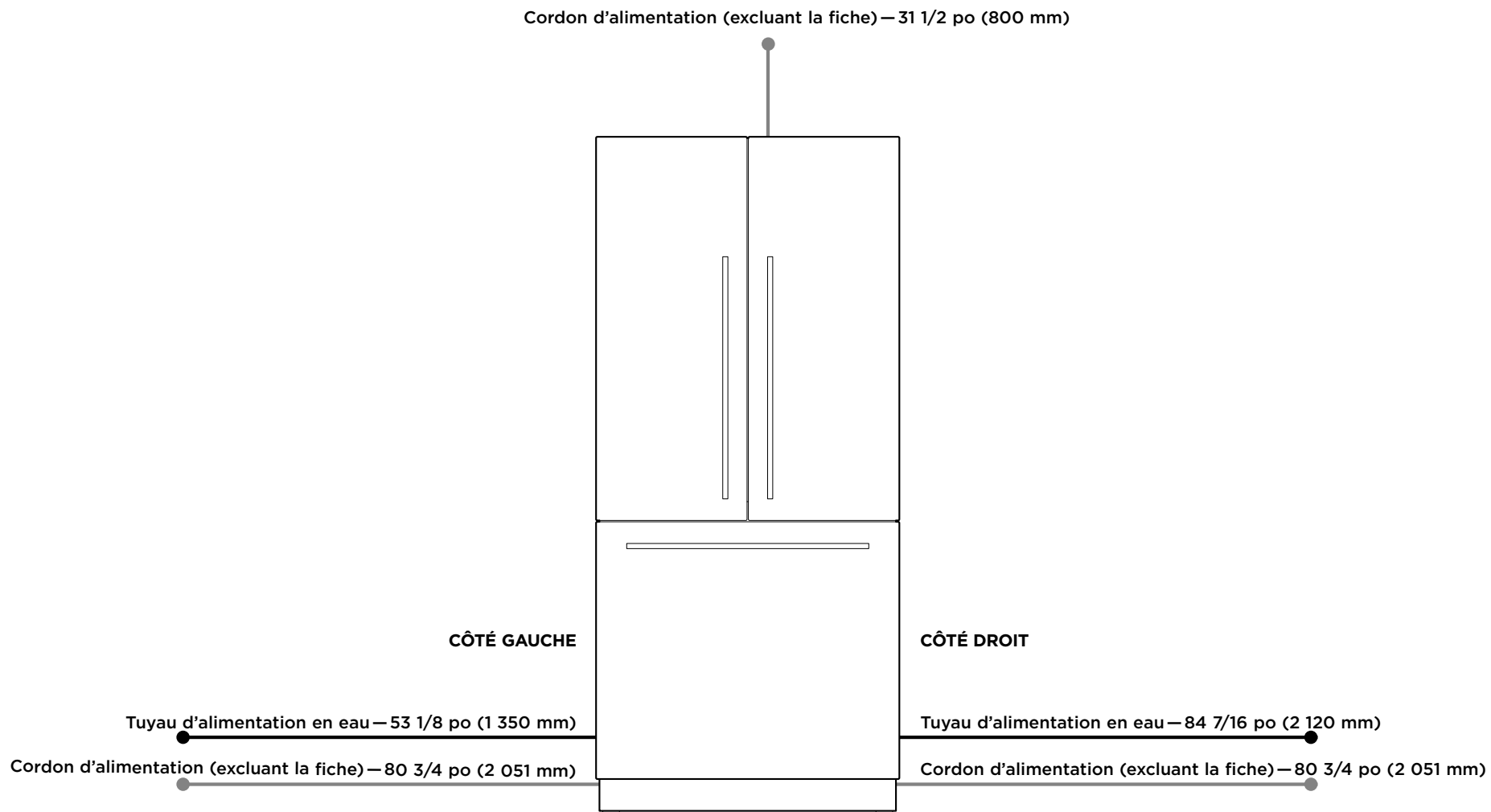
- ① Emplacement recommandé pour les raccordements dans une zone adjacente ou derrière l'appareil
- ② Autre emplacement possible pour les raccordements au-dessus de la cavité
- ③ Autre emplacement possible pour les raccordements à l'arrière de la cavité

DIMENSIONS POUR LE RACCORDEMENT ÉLECTRIQUE ET LA PLOMBERIE

	inches	mm
Ⓐ Hauteur hors tout de la zone d'alimentation	5 5/8	143
Ⓑ Largeur hors tout de la zone d'alimentation	29 3/4	756
Ⓒ Distance à partir du côté droit de la cavité	2 7/8	73
Ⓓ Distance à partir du plancher	2	51

Note: Dimensions are based on minimum depth of cavity.

Distance maximale du tuyau et du cordon d'alimentation



SPÉCIFICATIONS ÉLECTRIQUES

Alimentation	115 V CA, 60 Hz
Circuit	10 ampères

SPÉCIFICATIONS DE PLOMBERIE

Alimentation	Tuyau tressé en acier inoxydable de 1/4 po (6 mm)
Pression	min. 22 psi (150 kPa) max. 120 psi (827 kPa) @ 68 °F (20 °C)

IMPORTANT!

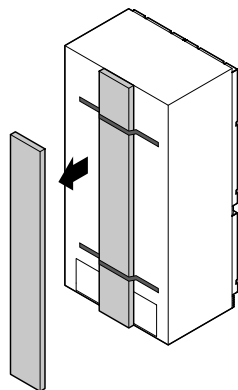
- Déballez votre produit avec soin pour éviter d'en endommager la surface.
- Assurez-vous que le produit est stable afin d'éviter tout basculement pendant le déballage.
- Pour éviter le basculement du produit, n'ouvrez pas les portes.
- Le produit est lourd; le déballage et l'installation nécessitent au moins 2 personnes.
- Assurez-vous que les pattes du produit sont rétractées.

- Si le produit est endommagé, communiquez avec votre détaillant Fisher & Paykel.
- Notez les numéros de modèle et d'enregistrement situés dans le coin inférieur droit du produit. Vous aurez besoin de ces informations pour effectuer une demande de service ou de réparation pour votre produit.

Vérification de votre appareil

- ① Retirez la boîte d'accessoires située sur le panneau arrière de l'appareil.

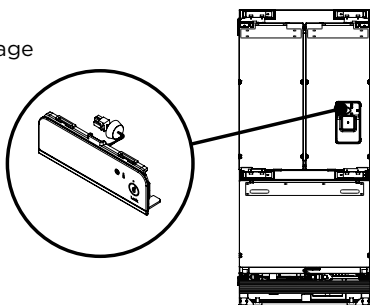
Reportez-vous à 'Liste des pièces' (page 5) pour connaître le contenu de la boîte d'accessoires.



IMPORTANT!

Lors du retrait de la boîte, veuillez prendre note que la boîte d'accessoires a pu être délogée du panneau arrière de l'appareil pendant le transport.

- ② Détachez le module d'affichage externe fixé avec du ruban adhésif à l'avant du produit.



- ③ Retirez de l'intérieur du produit les ensembles de raccords d'alimentation en eau et de filtre à eau, l'ensemble d'installation et l'emballage d'articles divers.

Reportez-vous à 'Pièces' (pages 3-5).



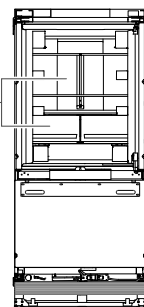
Ensembles de raccords d'alimentation en eau et de filtre à eau



Ensemble d'installation



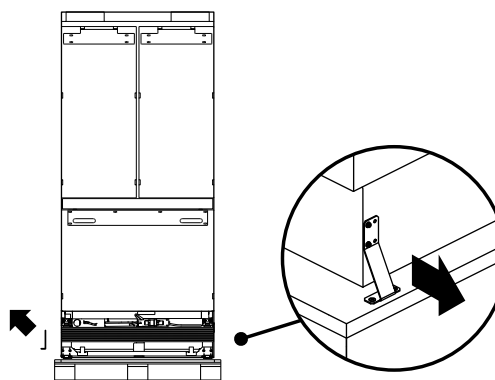
Emballage d'articles divers



Déplacement de votre produit

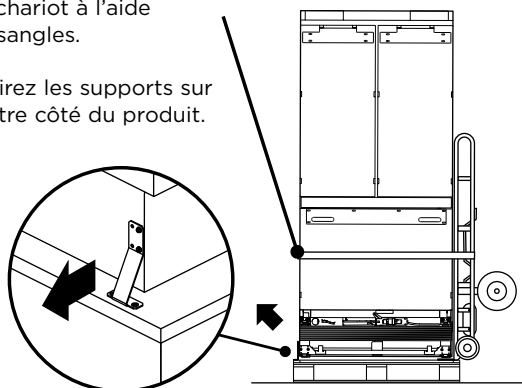
- ① Retirez les supports d'un côté du produit. (Pour les modèles à porte simple, retirez les supports sur le côté sans charnière du produit.)

Remarque : L'emplacement des supports dépend du modèle de votre produit.



- ④ Attachez le produit au chariot à l'aide de sangles.

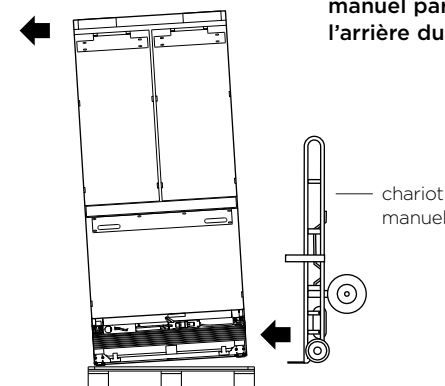
- ⑤ Retirez les supports sur l'autre côté du produit.



- ② Inclinez légèrement le produit vers le côté opposé.

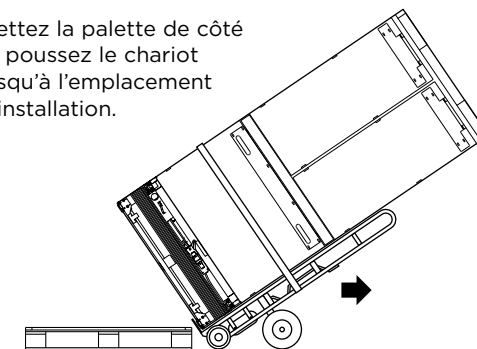
- ③ Insérez le chariot manuel sous le côté du produit dont les supports ont été retirés.

N'insérez PAS le chariot manuel par l'avant ou l'arrière du produit.



- ⑥ Inclinez le produit vers l'arrière sur le chariot.

- ⑦ Mettez la palette de côté et poussez le chariot jusqu'à l'emplacement d'installation.



IMPORTANT!

- Le produit est muni de roulettes avant et arrière qui facilitent le déplacement vers l'avant et l'arrière. Pour éviter d'endommager les roulettes ou le revêtement/la surface du plancher, ne déplacez pas le produit latéralement.
- Pour éviter un raccordement électrique incorrect et des fuites d'eau, faites installer le produit par un installateur qualifié ou un technicien de service formé et supporté par Fisher & Paykel.
- Tous les raccordements d'alimentation en eau, d'alimentation électrique et de mise à la terre doivent être conformes aux codes et règlements locaux et être effectués par un technicien autorisé, lorsque nécessaire.
- Évitez d'installer les produits sur un disjoncteur différentiel de fuite à la terre (DDFT).
- Assurez-vous que le produit est installé correctement. Les défaillances du produit résultant d'une installation incorrecte ne sont pas couvertes par la garantie du produit.

Vérification de l'emplacement d'installation

① Vérifiez les armoires

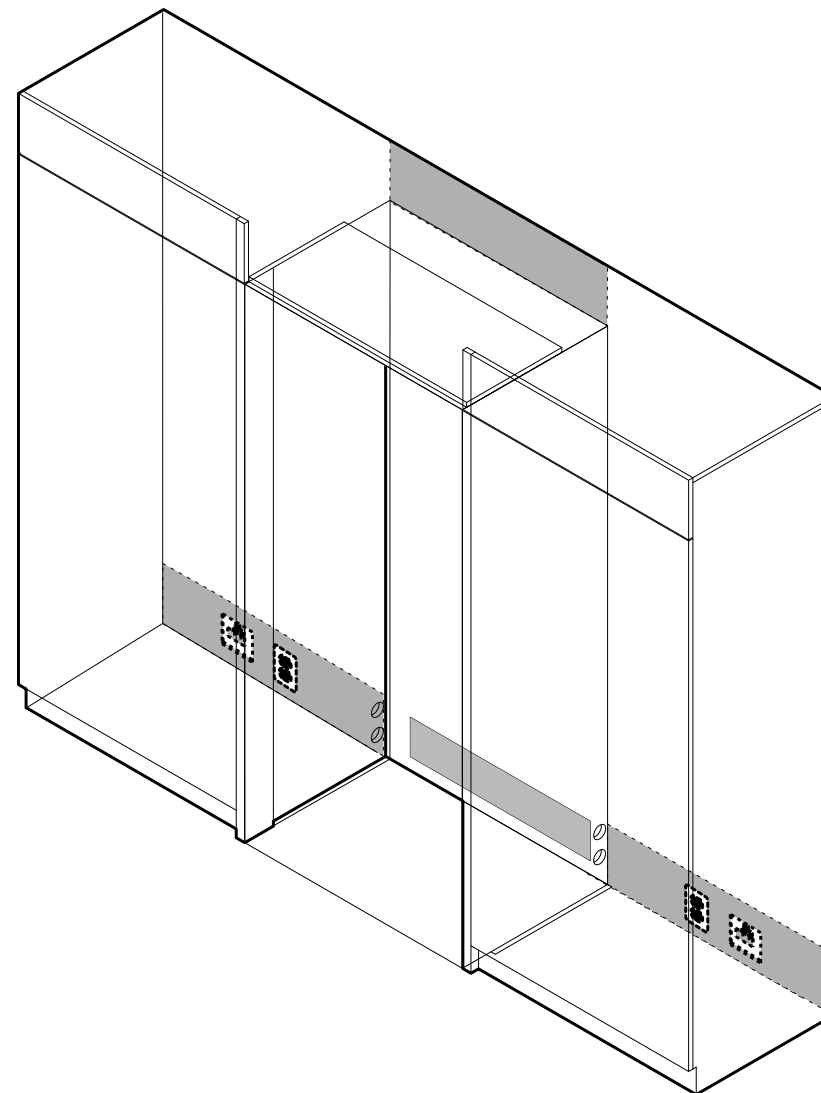
- Vérifiez les dimensions — hauteur, largeur, profondeur, niveau du plancher, finitions de l'alcôve.
- Assurez-vous que les ouvertures de ventilation dans les armoires sont exemptes de toute obstruction.
- Pour une installation encastrée, une finition en matériau solide est requise dans le haut et sur les côtés de l'alcôve existante ou nouvelle.
- Il est recommandé d'installer une bordure de finition mesurant au moins 3 1/2 po (90 mm) de profondeur, sur les côtés.
- Reportez-vous au tableau 'Dimensions de la cavité' avant de procéder à l'installation du produit.

② Vérifiez l'alimentation électrique

- Assurez-vous de brancher le produit à une prise électrique distincte.
- Pour prévenir les interruptions d'alimentation accidentelles du produit, évitez de partager le point d'alimentation avec d'autres produits.
- Pour connaître les caractéristiques d'alimentation requises, reportez-vous aux informations inscrites sur la plaque signalétique. Cette plaque est située dans la partie avant droite du tiroir lorsqu'il est ouvert.
- Assurez-vous que votre produit est correctement mis à la terre.
- Raccordez le produit à l'alimentation électrique (115 V CA, 60 Hz) à l'aide de la fiche et du cordon dont il est muni.
- Nous recommandons d'utiliser un interrupteur de sectionnement auquel l'utilisateur pourra facilement accéder après l'installation du produit.
- Lors de l'installation de ce produit, conformez-vous au Code national de l'électricité, ainsi qu'à tous les codes et règlements locaux.

③ Vérifiez l'alimentation en eau (pour les modèles Glaçons et eau uniquement)

- Assurez-vous de raccorder le produit à une alimentation en eau distincte.
- Votre produit doit être installé par un installateur qualifié, car un raccordement de plomberie incorrect pourrait causer des fuites d'eau.
- Fisher & Paykel n'est pas responsable des dommages (y compris les dommages causés par l'eau) provoqués par une installation ou un raccordement de plomberie incorrect.



Boîte interne

A Ensemble de support antibasculement



Support antibasculement (1)

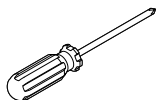


Cheville pour maçonnerie (4)

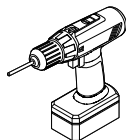


Vis cruciforme n° 10x40 (4)

Outils



Tournevis cruciforme



Visseuse électrique (optionnelle)



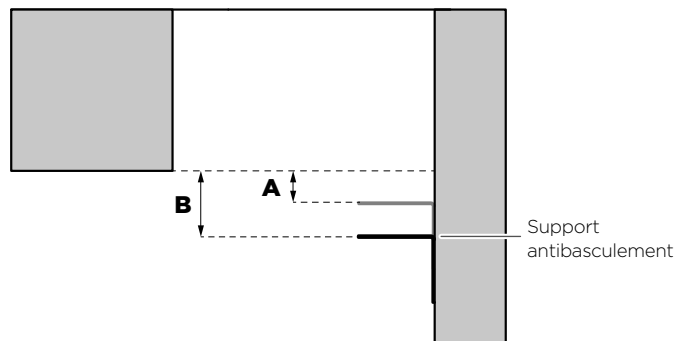
Crayon

IMPORTANT!

- Le support antibasculement et les raccords fournis doivent être installés au mur de l'emplacement d'encastrement fini afin de procurer une capacité de charge de 220 lb (100 kg).
- Assurez-vous que le support antibasculement soit installé correctement pour éviter que le produit puisse basculer vers l'avant lorsque la porte est ouverte.
- Assurez-vous que le support soit fixé aux poutres porteuses ou montants muraux situés le plus près du centre de l'alcôve.

Fixation du support antibasculement

- Effectuez une projection horizontale allant du rebord inférieur de l'emplacement d'encastrement fini vers le centre du mur arrière.
 - Pour l'installation dans une cavité de 80 po (2 032 mm) – mesurez 2 7/16 po (62 mm) vers le bas à partir de la ligne de projection (A).
 - Pour l'installation dans une cavité de 84 po (2 134 mm) – mesurez 6 7/16 po (164 mm) vers le bas à partir de la ligne de projection (B).
 Cela permettra de localiser la surface de contact entre le support et le produit.

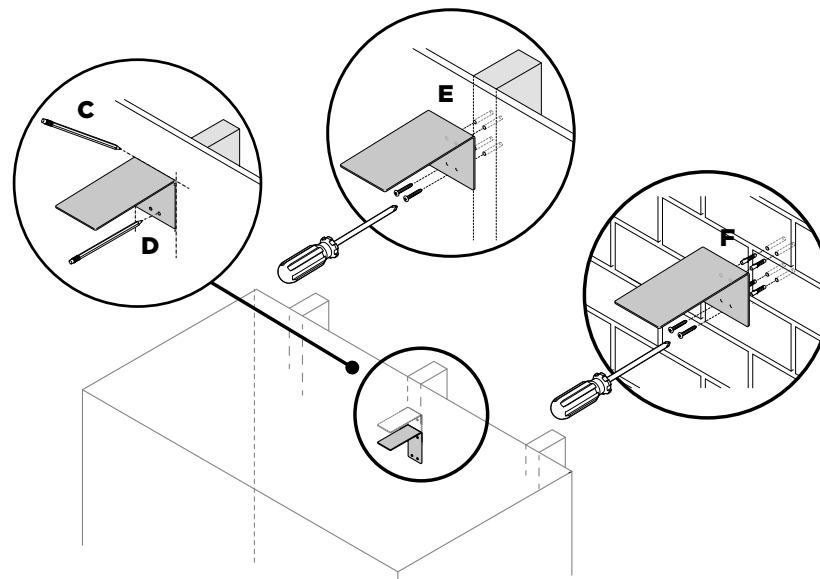


- Marquez l'emplacement pour le positionnement du support antibasculement. Placez le support de manière à ce que le rebord supérieur de la surface de contact soit aligné avec la marque (C).
- Marquez les emplacements des trous de vis sur le montant le plus au centre du mur (D).
- Percez les trous de vis aux emplacements marqués.
- Pour l'installation sur un mur en bois/plaque de plâtre :**
 - Fixez le support au mur à l'aide des vis cruciformes à tête cylindrique n° 10x40, puis vissez fermement (E).
- Pour l'installation sur un mur solide :**
 - À l'aide d'un marteau, enfoncez les chevilles pour maçonnerie dans le mur jusqu'à ce qu'elles soient au même niveau que ce dernier.
 - Fixez le support au mur à l'aide des vis cruciformes à tête cylindrique n° 10x40 (4x), puis vissez fermement (F).

MISE EN GARDE!

Lisez les consignes suivantes avant d'effectuer la fixation avec des vis et/ou chevilles pour maçonnerie :

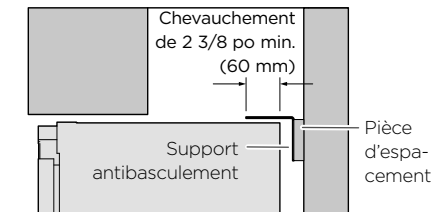
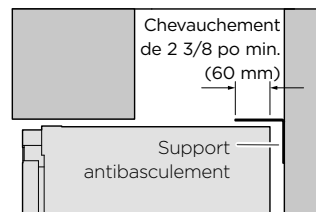
- Assurez-vous que les vis n'entrent pas en contact avec les raccordements électriques ou les conduites de gaz et d'eau.
- Assurez-vous de ne pas utiliser de matériaux de maçonnerie légers tels que des blocs de béton et du nouveau béton (sans temps de prise) pour l'installation.
- N'utilisez pas de pièces métalliques qui pourraient se corroder, tacher et/ou endommager le bâti.



IMPORTANT!

Lors du positionnement du produit dans les armoires, vérifiez que le support antibasculement chevauche le réfrigérateur d'un minimum de 2 3/8 po (60 mm) pour assurer un maintien stable.

S'il n'est pas possible d'obtenir un chevauchement minimum de 2 3/8 po (60 mm), installez une pièce d'espacement solide sur le montant de mur derrière le support.

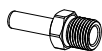


Ensemble de raccords d'alimentation en eau

(Modèles Glaçons et eau uniquement)



Clip de blocage de collet (1)



Adaptateur de 1/4 po (6 mm) (1)



Tuyau tressé en acier inoxydable de 1/4 po (6 mm) (1)

IMPORTANT!

- Assurez-vous de faire raccorder l'alimentation en eau par un installateur professionnel.
- Le produit standard est fourni avec un tuyau tressé d'alimentation en eau compatible avec un adaptateur en laiton.
- Assurez-vous de laisser une longueur de tuyau suffisante pour effectuer le raccordement de l'alimentation en eau et pour pouvoir avancer le produit lors des travaux d'entretien, au besoin.
- Faites couler de l'eau dans le tuyau avant de le raccorder au produit pour éliminer tout débris présent dans le tuyau.
- Nous recommandons d'utiliser un interrupteur de sectionnement facilement accessible après l'installation du produit.

Raccordement de l'alimentation en eau (pour les modèles Glaçons et eau uniquement)

- 1 Déplacez le produit devant les armoires, à une distance permettant d'accéder aux raccords d'alimentation électrique et d'alimentation en eau à l'arrière.

- 2 À l'avant de l'appareil, insérez l'adaptateur du tuyau de conduite d'eau tressé (A) dans le PRV.

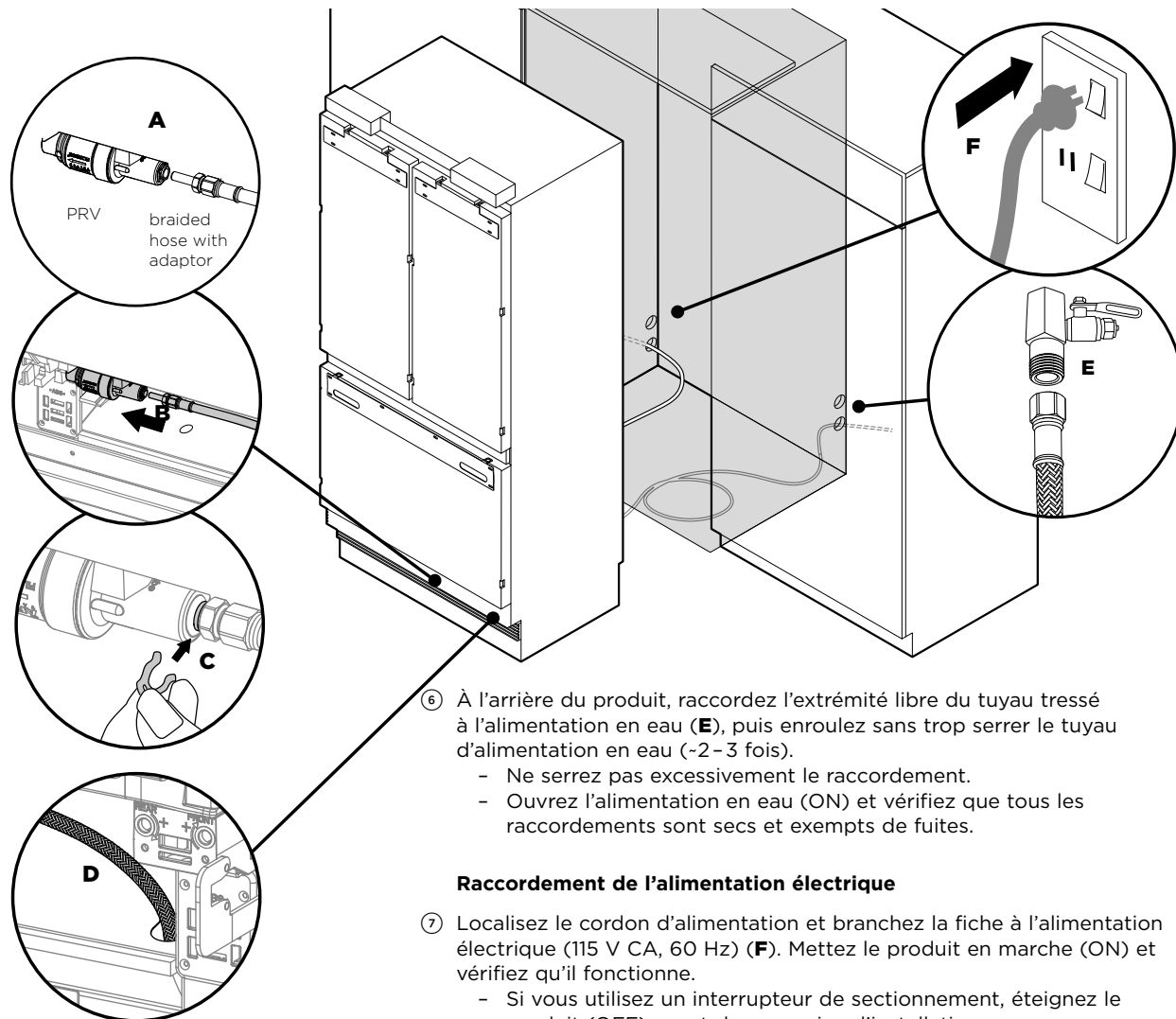
Remarque : Si vous utilisez un tuyau en plastique PEX de 1/4 po, un ensemble de raccords d'alimentation en eau (non fourni) est requis.

- 3 Insérez entièrement l'extrémité de tuyau de l'adaptateur dans la vanne de réglage de pression. Une fois l'extrémité insérée, tirez doucement sur le tuyau pour vous assurer qu'il est bien verrouillé en place (B).

Remarque : Délogez la vanne de réglage de pression des clips, si nécessaire.

- 4 Fixez le raccordement en insérant une clavette de blocage entre la vanne de réglage de pression et l'extrémité de tuyau de l'adaptateur (C).
 - Si la vanne de réglage de pression est délogée pendant l'installation, réinstallez-la dans le clip.

- 5 Faites passer l'extrémité libre du tuyau d'alimentation en eau dans l'ouverture située à la base, pour l'acheminer par l'arrière du produit (D).



- 6 À l'arrière du produit, raccordez l'extrémité libre du tuyau tressé à l'alimentation en eau (E), puis enroulez sans trop serrer le tuyau d'alimentation en eau (~2-3 fois).
 - Ne serrez pas excessivement le raccordement.
 - Ouvrez l'alimentation en eau (ON) et vérifiez que tous les raccords sont secs et exempts de fuites.

Raccordement de l'alimentation électrique

- 7 Localisez le cordon d'alimentation et branchez la fiche à l'alimentation électrique (115 V CA, 60 Hz) (F). Mettez le produit en marche (ON) et vérifiez qu'il fonctionne.
 - Si vous utilisez un interrupteur de sectionnement, éteignez le produit (OFF) avant de poursuivre l'installation.

15 INSTALLATION DE LA GARNITURE SUPÉRIEURE

Boîte interne

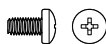
Ensemble d'installation de garniture supérieure



Support de garniture supérieure de bâti (2)



Écrou M5 (6)



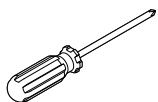
Vis cruciforme M5x8 (12)

Boîte externe

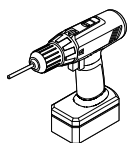


Garniture supérieure (1)

Outils



Tournevis cruciforme



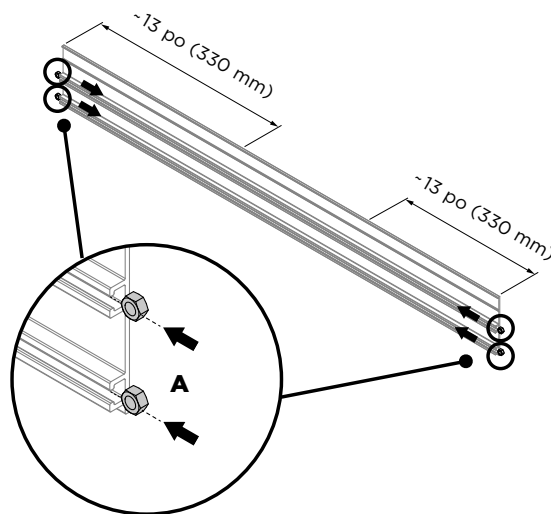
Visseuse électrique (optionnelle)

MISE EN GARDE!

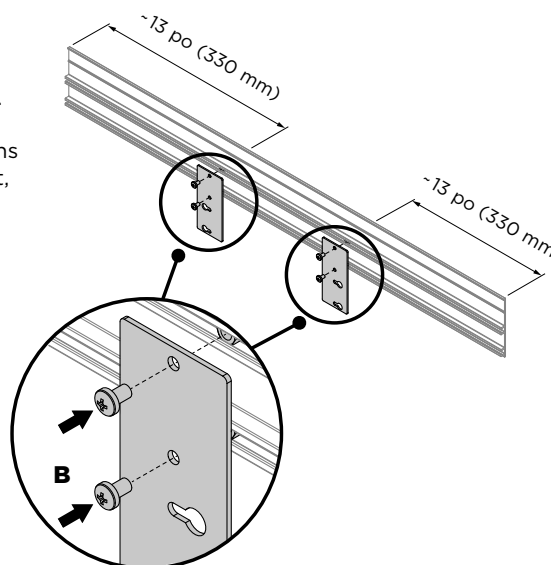
- Soyez prudent lorsque vous effectuez des travaux pendant que le produit est à l'extérieur de l'emplacement d'encastrement fini.
- Assurez-vous que le produit soit bien fixé pour éviter qu'il ne bascule vers l'avant. Le basculement du produit peut entraîner des blessures graves, voire mortelles.

Installation de la garniture supérieure — pour cavité de 84 po (2 134 mm) uniquement

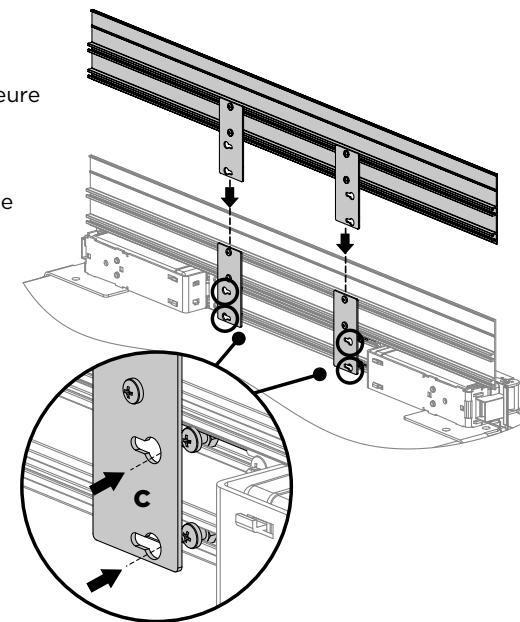
- 1 Insérez les écrous M5 (A) dans les parties supérieure et inférieure des extrémités gauche et droite de la garniture supérieure. Glissez les écrous vers le centre de la garniture, -13 po (330 mm).



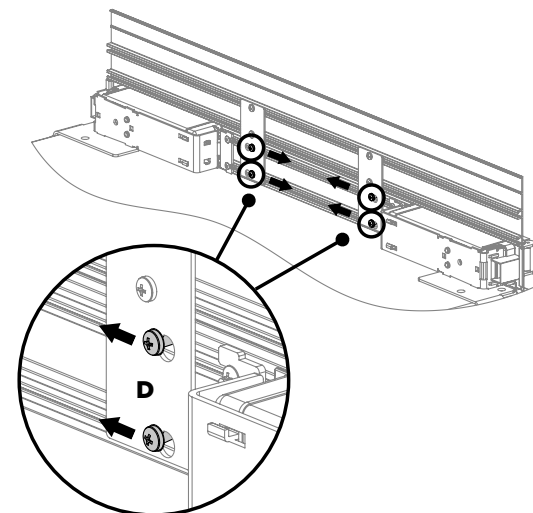
- 2 Positionnez les supports de garniture supérieure au-dessus des écrous M5. Faites passer les vis cruciformes M5x8 (B) dans les ouvertures du support, puis fixez-les.



- 3 Dans le haut du produit, placez la garniture supérieure assemblée derrière la garniture existante. Positionnez la garniture supérieure de manière à ce que les têtes de vis dans la garniture du produit s'insèrent dans les trous en forme de serrure des supports (C).



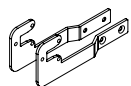
- 4 Glissez les vis de la garniture du produit vers le côté étroit des trous en forme de serrure des supports, puis serrez les vis afin de verrouiller la garniture supérieure en position (D).



Boîte interne

Ensemble d'installation de support latéral

F



Supports de base latéraux (G/D)
(2)

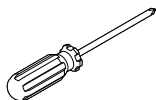


Vis cruciforme à tête fraisée M5x8 (4)

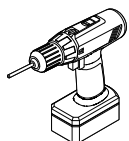


Vis cruciforme M5x10 (10)

Outils



Tournevis cruciforme



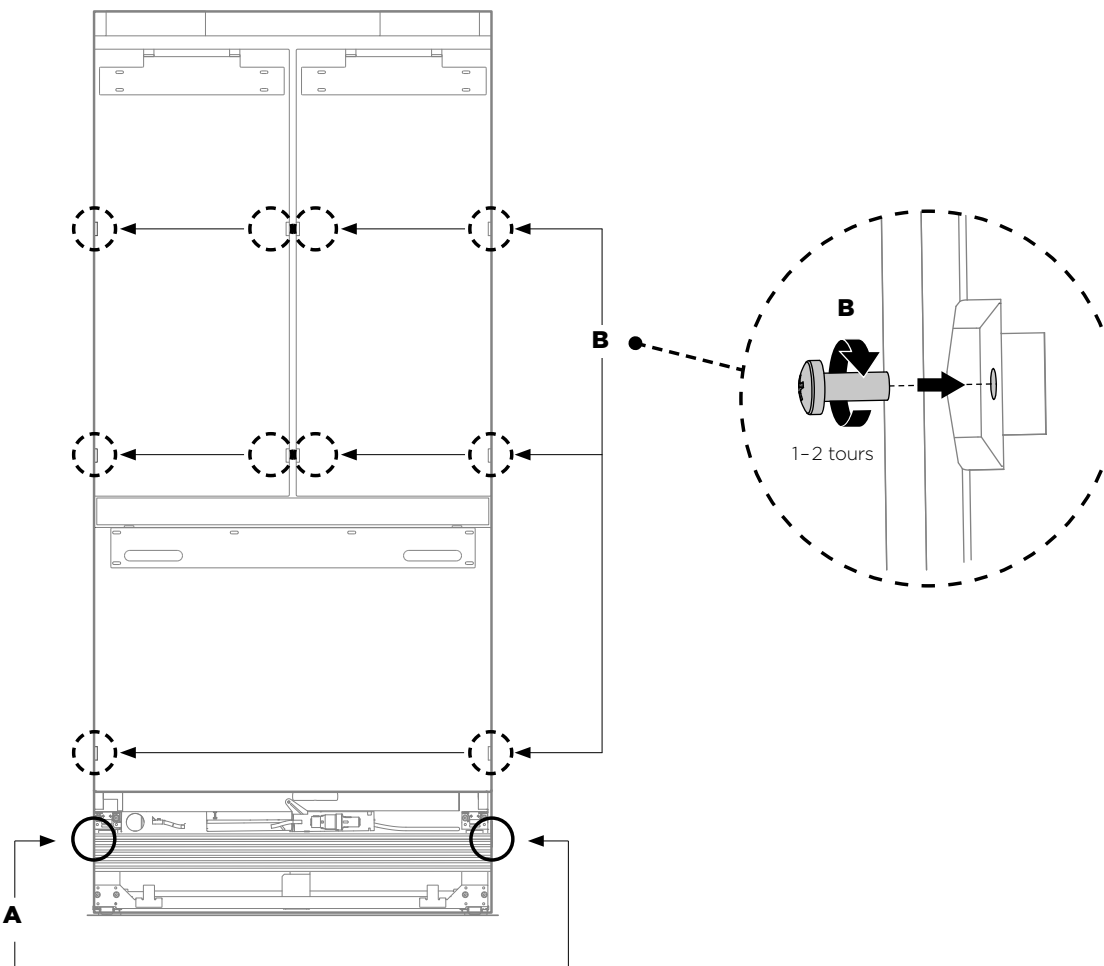
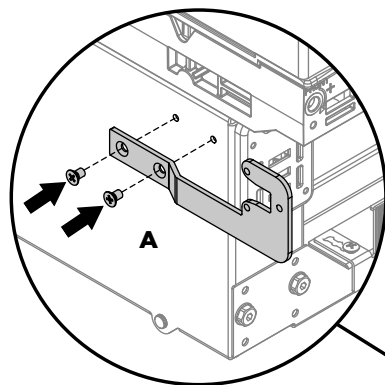
Visseuse électrique (optionnelle)

IMPORTANT!

- Assurez-vous de retirer tous les matériaux d'emballage externes du produit avant l'installation.
- Assurez-vous que les portes du produit demeurent fermées pendant l'installation.

Fixation des supports de base latéraux

- ① Fixez les supports de base latéraux sur les côtés inférieurs gauche et droit du produit à l'aide des vis cruciformes à tête fraisée M5x8 (**A**).
- ② Vissez sans serrer (1-2 tours) les vis cruciformes M5x10 dans les portes (**B**).



IMPORTANT!

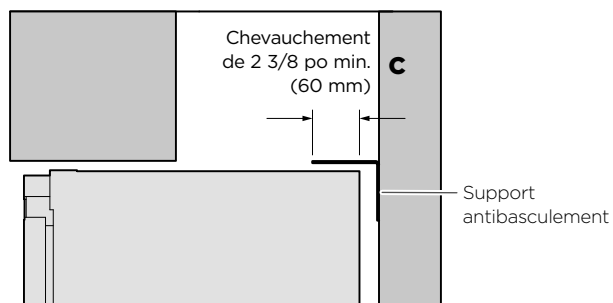
- Pour éviter de causer des dommages et de possibles fuites d'eau, veillez à ne pas passer sur le tuyau lors du déplacement du produit dans les armoires.

Positionnement du produit dans les armoires

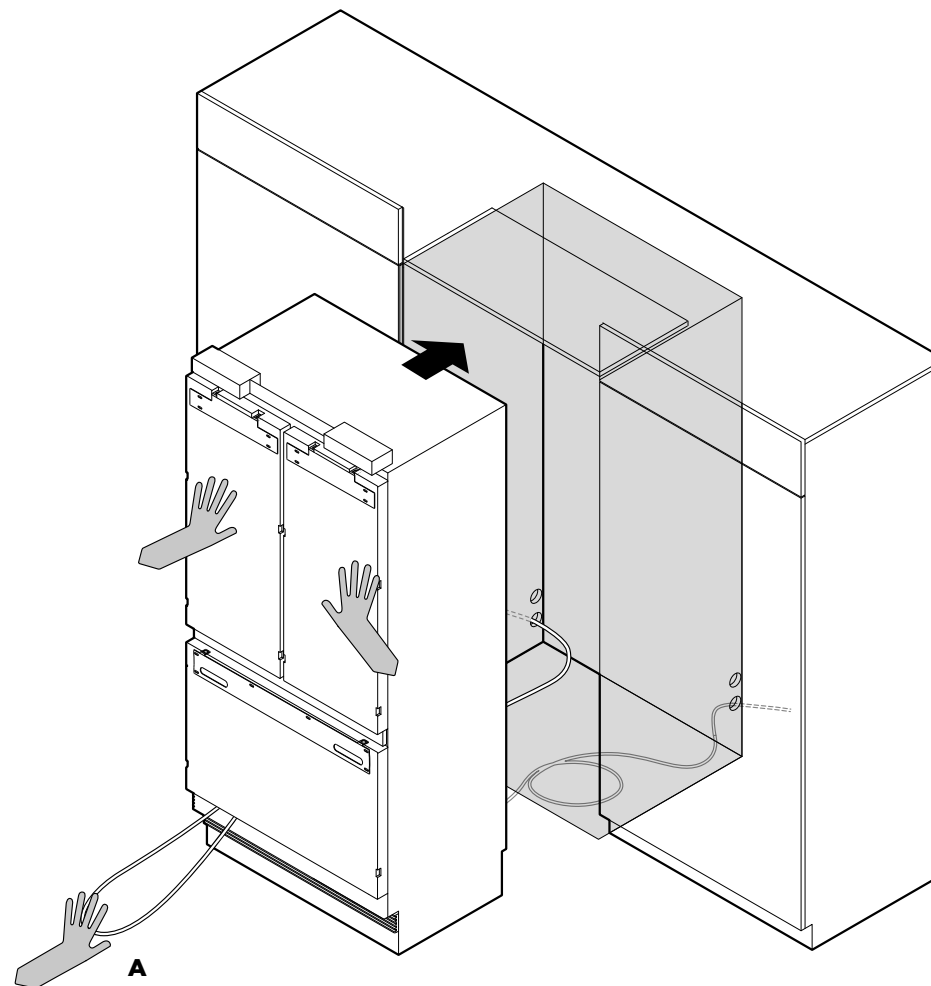
- ① Enroulez le surplus d'eau et le cordon d'alimentation à plat derrière l'appareil (A).
- ② Poussez l'appareil dans l'armoire jusqu'à ce que le support antibasculement chevauche le bord supérieur arrière de l'appareil (B).

IMPORTANT!

- Assurez-vous que l'appareil est centré.
- Assurez-vous que le support antibasculement chevauche le réfrigérateur d'au moins 60 mm (2 3/8 po) pour un maintien sûr (C).



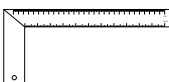
Reportez-vous à 'Fixation du support antibasculement' pour plus d'informations.



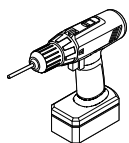
Outils



Clé hexagonale



Règle



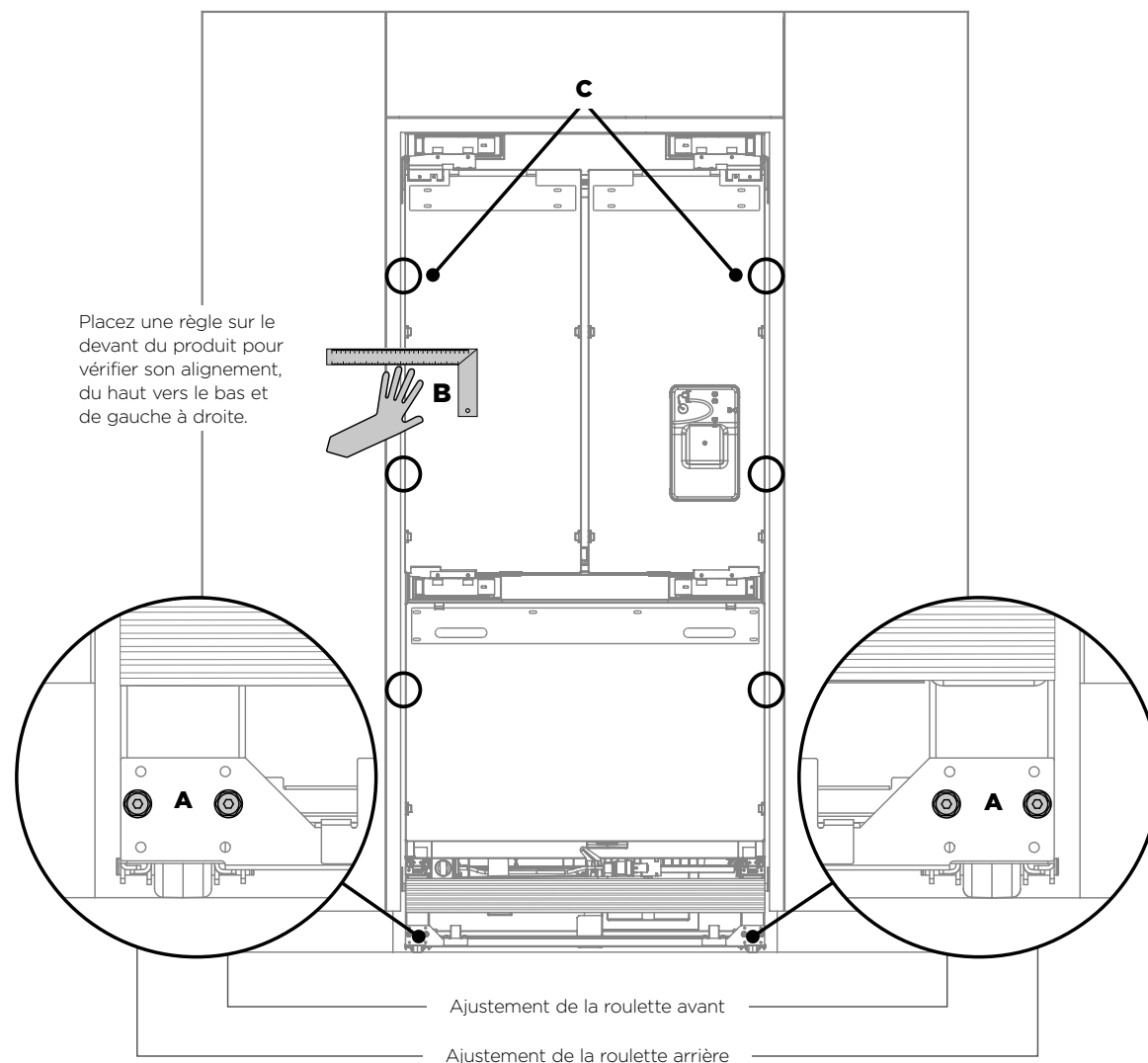
Visseuse électrique

IMPORTANT!

- N'installez PAS le produit sur un plancher souple, inégal ou qui n'est pas de niveau, car cela pourrait entraîner une déformation du produit et compromettre l'étanchéité de la porte.
 - Élevez le produit à l'aide d'une douille hexagonale de 7/16 po (11 mm) ou d'une clé hexagonale de 3/16 po (4 mm).
 - Un tour d'écrou de réglage de hauteur équivaut à un ajustement de hauteur de 1/16 po (1 mm). Remarque : L'ajustement maximum est de 13/16 po (20 mm).
- Lors de l'utilisation d'une visseuse électrique, utilisez un réglage à faible couple pour éviter d'endommager le système d'ajustement de hauteur.
 - Pour l'obtention de l'alignement adéquat, assurez-vous que les espaces dans le haut, dans le bas et sur les côtés ne soient pas supérieurs à 1/16 po (1,5 mm).
 - L'alignement final sera effectué après l'installation des panneaux de portes et le positionnement du produit au même niveau que les armoires.

Alignement de l'appareil dans les armoires

- ① Centrez l'appareil dans l'alcôve, en utilisant les murs adjacents comme guide.
- ② Tournez les écrous d'ajustement avant et arrière (A) à l'aide d'une clé hexagonale pour allonger les pattes afin qu'elles reposent au sol.
 - Tournez dans le sens des aiguilles d'une montre pour augmenter la hauteur ou tournez dans le sens inverse pour la diminuer.
- ③ Continuez de tourner les vis d'ajustement des pattes avant et arrière en alternance pour aligner le devant des portes, du haut vers le bas, sur les deux côtés, jusqu'à l'obtention de l'alignement adéquat.
- ④ Vérifiez les espaces dans le haut et le bas, à gauche et à droite en plaçant une règle (B) sur le devant de l'appareil.
 - Assurez-vous que les espaces entre l'appareil et les armoires adjacentes soient égaux sur les deux côtés (C).
 - Cette étape aide à placer l'appareil au même niveau que les armoires adjacentes.
- ⑤ Poussez doucement sur le devant de l'appareil pour vérifier sa stabilité.



Boîte interne

Ensemble de fixation de panneau de porte

B



Support latéral (10)



Bande latérale (10)

Ensemble de poignée de porte



Vis à tête creuse cylindrique M5x25 (12x)

Ensemble de panneau de porte

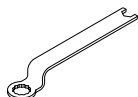


Vis rondelle cruciforme M5x14 (acier inoxydable) (34)

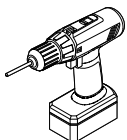
Outils



Clé hexagonale



Clé FPA



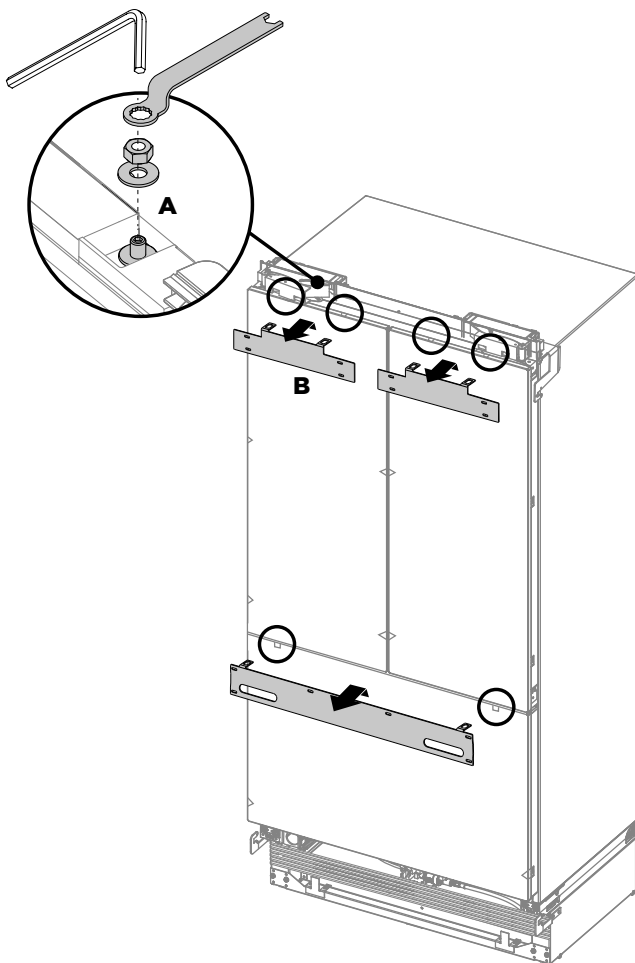
Visseuse électrique

IMPORTANT!

- Suivez ces étapes pour éviter des difficultés lors de l'ajustement du panneau de porte et l'installation du capuchon esthétique.
- Assurez-vous de protéger le fini des panneaux de portes en acier inoxydable.
- Pour les panneaux de portes sans distributeur d'eau : Laissez la pellicule protectrice sur les panneaux pendant l'installation et retirez-la uniquement lorsque vous terminez.

Retrait des supports d'accrochage

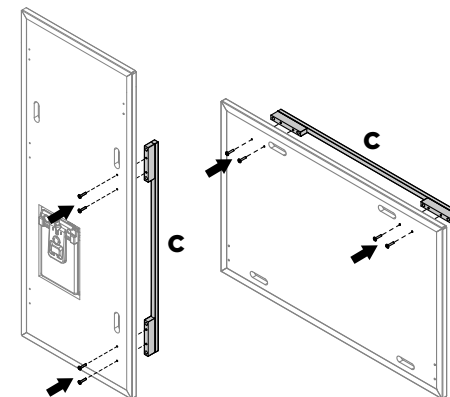
- ① Retirez les rondelles M8 et les écrous M8 des goujons M8 dans le haut de la porte (A). Conservez les rondelles et écrous pour les réutiliser ultérieurement.
- ② Retirez le support d'accrochage du haut de chaque porte et mettez-le de côté (B) pour l'installation ultérieure.



Fixation des poignées de porte et de tiroir (C)

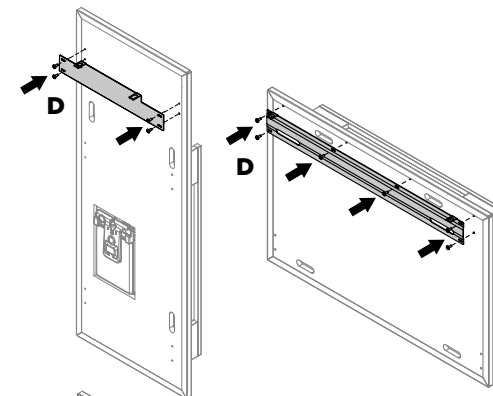
- ③ Retirez les bouchons en plastique des trous de poignée (4 pour chaque panneau de porte).
- ④ Alignez les trous de poignée avec les trous du panneau de porte, puis fixez à l'aide de vis à tête creuse cylindrique M5x25 (4 pour chaque panneau de porte).

Remarque : L'ensemble de poignée de porte doit être acheté séparément. Reportez-vous à 'Pièces' (page 3-5) pour plus de détails.



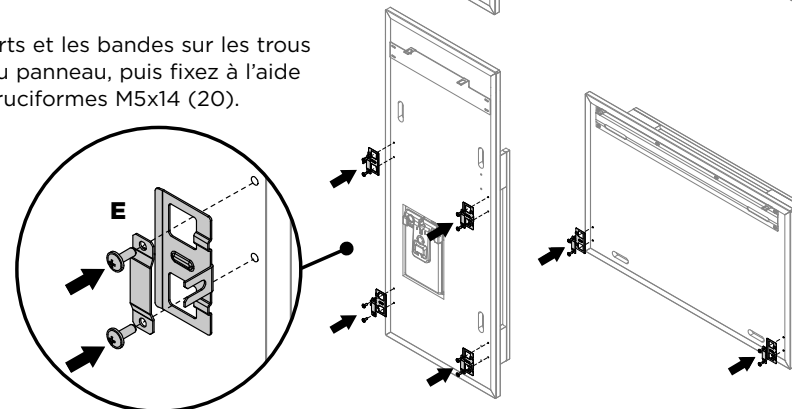
Fixation des supports d'accrochage (D)

- ⑤ Alignez le support sur les trous, puis fixez à l'aide de vis rondelles cruciformes M5x14 (14).



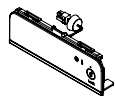
Fixation des supports latéraux et des bandes latérales (E)

- ⑥ Alignez les supports et les bandes sur les trous de chaque côté du panneau, puis fixez à l'aide de vis rondelles cruciformes M5x14 (20).



Afficheur Glaçons et eau

(Modèles Glaçons et eau uniquement)



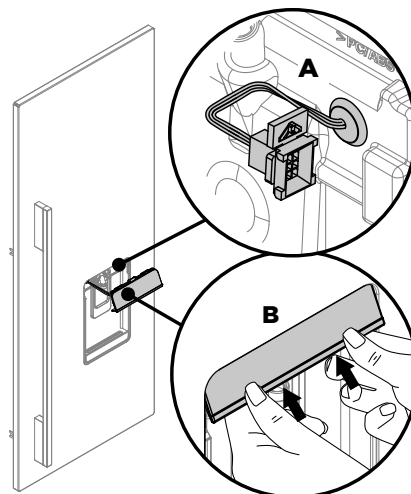
Module d'affichage externe (1)


IMPORTANT!

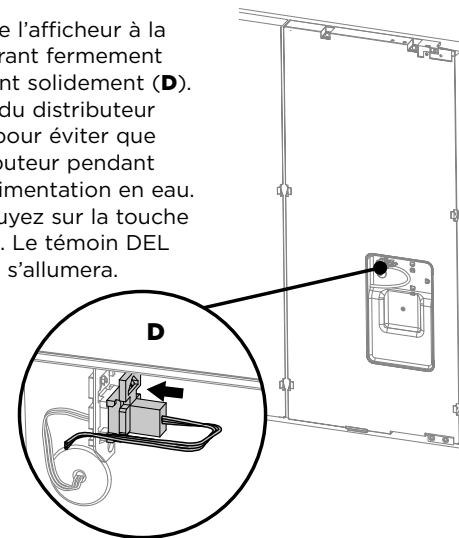
- Le fait de ne pas suivre ces étapes pourrait entraîner des difficultés lors de l'ajustement du panneau de porte et l'installation du capuchon esthétique.
- Pour les panneaux de portes avec distributeur d'eau : Retirez la pellicule protectrice des portes du produit avant de suspendre les panneaux de portes.

Connectez le module d'affichage externe (pour les modèles Glaçons et eau uniquement)

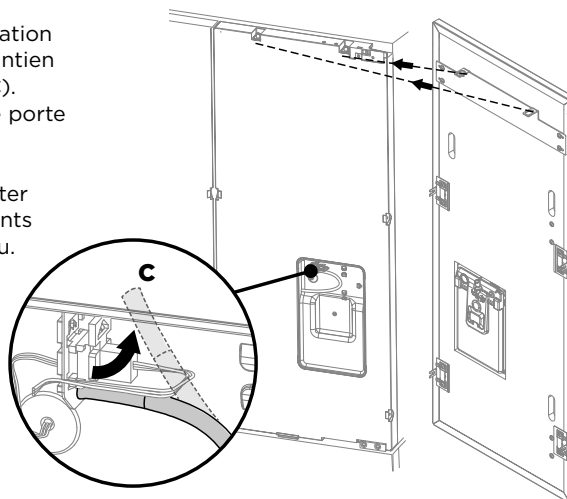
- 1 Retirez le module d'affichage externe fixé avec du ruban adhésif à l'avant du produit.
- 2 Faites passer les fils couplés de l'afficheur dans la cavité du panneau de porte (A).
 - Assurez-vous que l'œillet est emboîté.
- 3 Inclinez les languettes supérieures de l'afficheur pour les insérer dans le panneau de porte (B).
 - Assurez-vous de ne pas coincer les fils couplés.
- 4 Poussez fermement contre les languettes inférieures de l'afficheur afin de les insérer dans le panneau de porte jusqu'à ce qu'elles s'enclenchent solidement.
 - Assurez-vous que l'afficheur soit au même niveau que le panneau de porte.



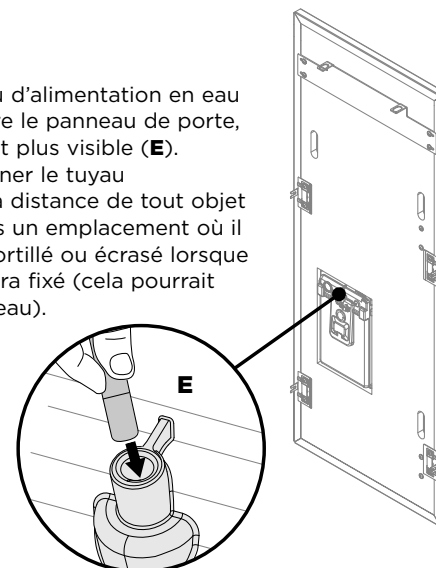
- 7 Connectez les fils couplés de l'afficheur à la porte du produit en les insérant fermement jusqu'à ce qu'ils s'enclenchent solidement (D).
 - Activez le verrouillage du distributeur sur l'afficheur externe pour éviter que l'eau s'écoule du distributeur pendant le raccordement de l'alimentation en eau.
 - Pour le verrouiller, appuyez sur la touche  pendant 4 secondes. Le témoin DEL au-dessus de la touche s'allumera.



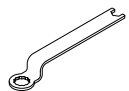
- 5 Retirez le tuyau d'alimentation en eau de la pièce de maintien sur la porte du produit (C).
- 6 Suspendez le panneau de porte sur les goujons M8.
 - Assurez-vous que le panneau puisse pivoter pour les raccordements d'alimentation en eau.



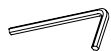
- 8 Poussez fermement le tuyau d'alimentation en eau dans le raccord situé derrière le panneau de porte, jusqu'à ce que le trait ne soit plus visible (E).
 - Assurez-vous d'acheminer le tuyau d'alimentation en eau à distance de tout objet ou coin tranchant, dans un emplacement où il ne pourra pas être entortillé ou écrasé lorsque le panneau de porte sera fixé (cela pourrait interrompre le débit d'eau).



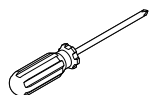
Outils



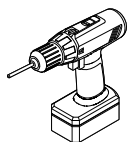
Clé FPA



Clé hexagonale



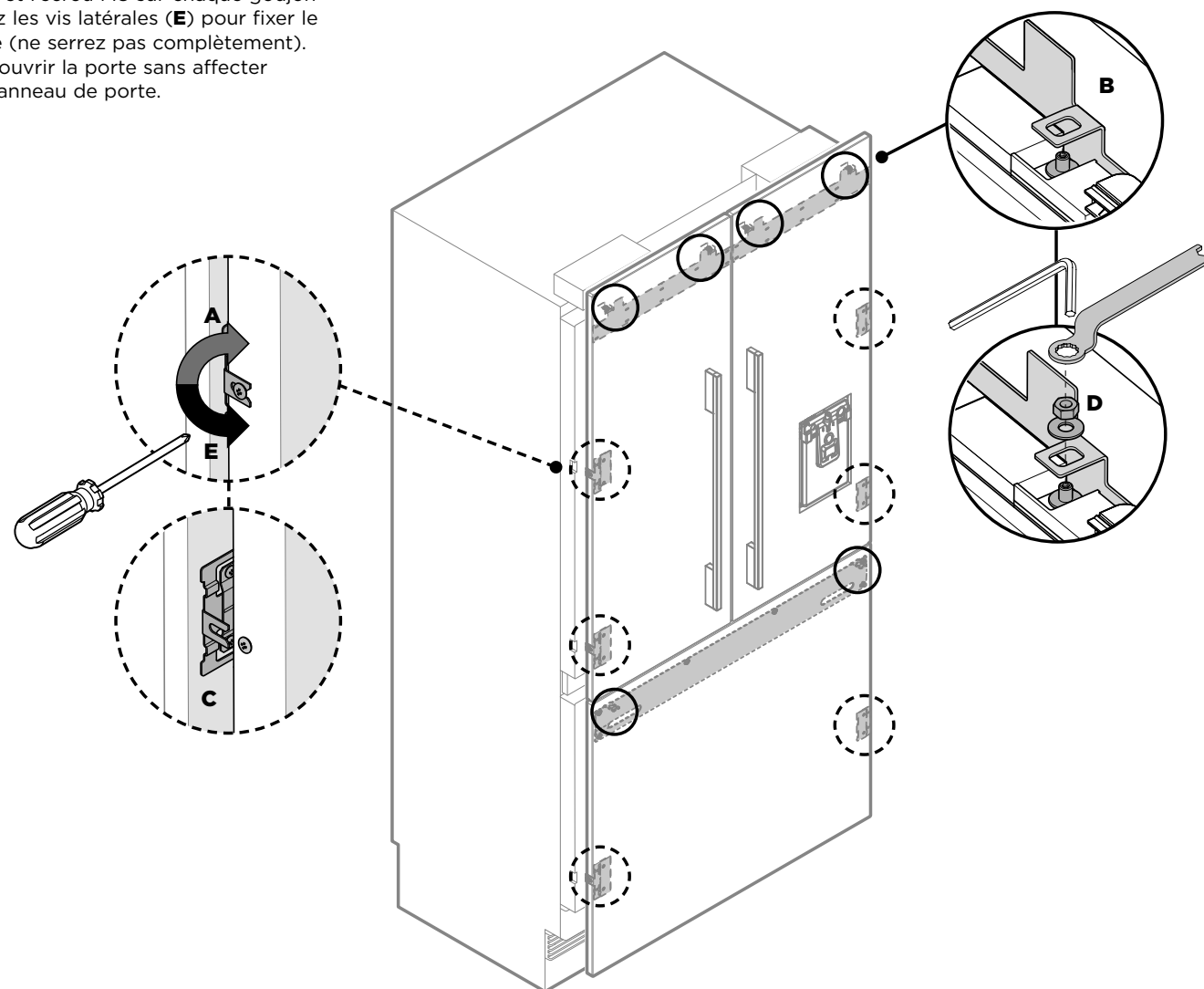
Tournevis cruciforme



Visseuse électrique (optionnelle)

Fixation des panneaux de portes

- ① Ouvrez la porte et desserrez les vis cruciformes M5x10 (ne les retirez pas) sur les côtés des portes (A).
- ② Suspendez le panneau de porte en insérant les goujons M8 dans les trous du support d'accrochage (B).
- ③ Glissez les fourches des supports latéraux sur les vis de la porte (C).
- ④ Vissez la rondelle et l'écrou M8 sur chaque goujon (D), puis resserrez les vis latérales (E) pour fixer le panneau de porte (ne serrez pas complètement). Cela permettra d'ouvrir la porte sans affecter l'ajustement du panneau de porte.

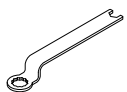


B nsemble de fixation de panneau de porte



Vis rondelle n° 8x16 (Sur mesure) (2)

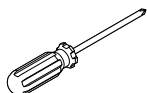
Outils



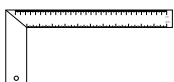
Clé FPA



Clé hexagonale



Tournevis cruciforme



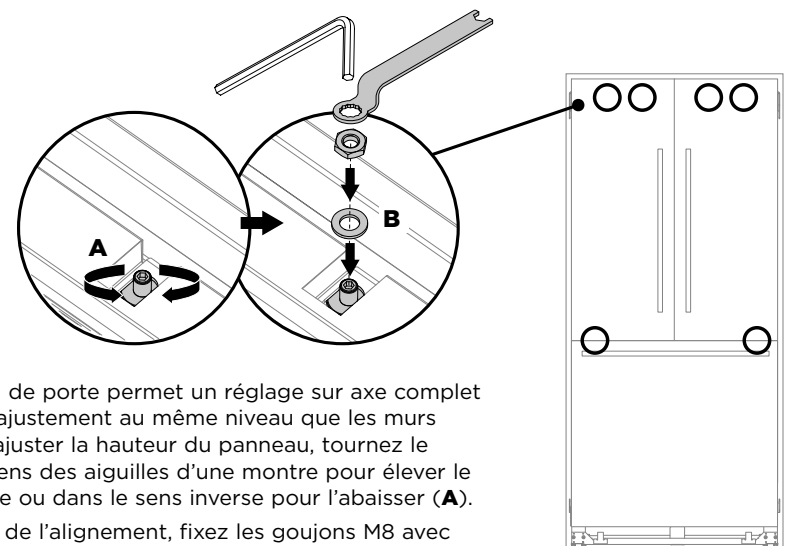
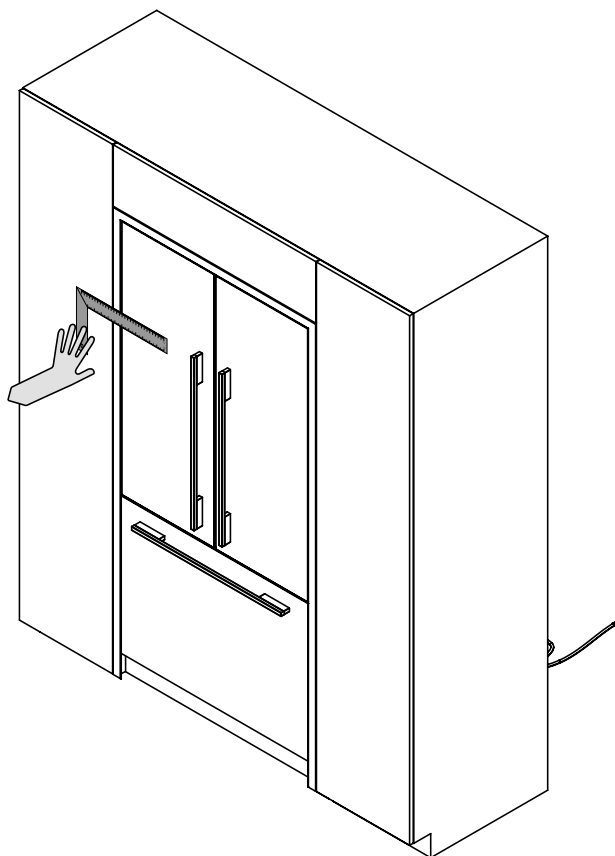
Règle

IMPORTANT!

- Suivez ces étapes pour éviter des difficultés lors de l'ajustement du panneau de porte et l'installation du capuchon esthétique.

Ajustement des panneaux de portes

- 1 Placez une règle sur le devant du produit pour vérifier son alignement, du haut vers le bas et de gauche à droite.
 - Assurez-vous que l'espace entre le dessus du panneau de porte et l'armoire du haut ne soit pas supérieur à 1/4 po (7 mm).
 - Pour réduire cet espace, élevez le produit en tournant les quatre écrous d'ajustement du même nombre de tours.

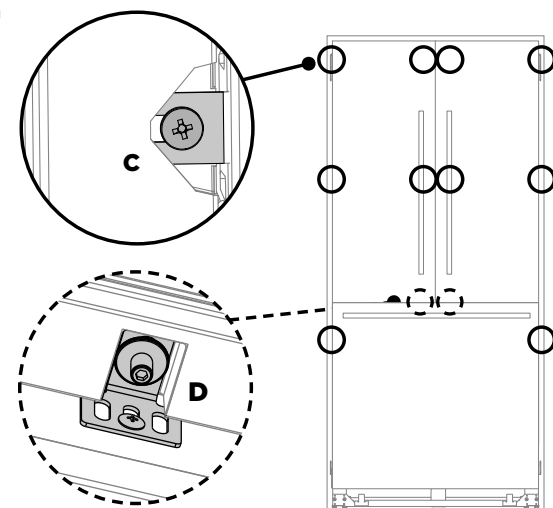


- 2 Chaque panneau de porte permet un réglage sur axe complet pour assurer un ajustement au même niveau que les murs adjacents. Pour ajuster la hauteur du panneau, tournez le goujon dans le sens des aiguilles d'une montre pour élever le panneau de porte ou dans le sens inverse pour l'abaisser (A).
- 3 Une fois satisfait de l'alignement, fixez les goujons M8 avec la rondelle M8 et l'écrou M8 (B). Le dessus du goujon doit demeurer sous la face supérieure du panneau de porte.
- 4 Fixez les fourches de support latéral en serrant les vis latérales (C).

Répétez pour tous les panneaux de portes.

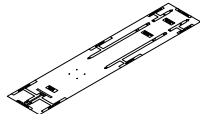
Remarque :

- Pour l'ajustement en profondeur, desserrez les vis latérales (10), ajustez les panneaux, puis resserrez les vis lorsque vous êtes satisfait.
- Pour un ajustement supplémentaire des panneaux de portes, retirez les panneaux de portes et desserrez les vis de fixation du support d'accrochage, puis déplacez le support latéralement selon les besoins.



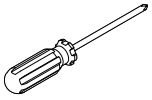
- 5 Desserrez le goujon M8 (D) de sorte que le support de verrouillage puisse glisser librement vers l'arrière.
 - Glissez le support de verrouillage vers l'extérieur jusqu'à ce qu'il touche à la partie arrière du panneau de porte. Serrez complètement le goujon M8.
 - Vissez-le en place en utilisant une vis n° 8x16 dans l'un des trois trous oblongs.

Boîte externe

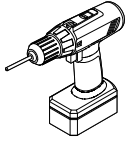


Gabarit double face de panneau de porte (1)

Outils



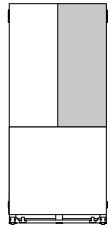
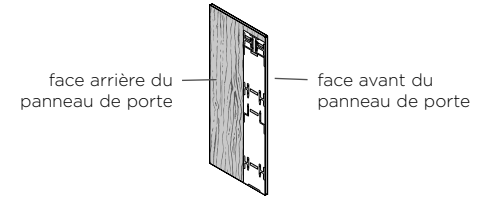
Tournevis cruciforme



Visseuse électrique (optionnelle)

IMPORTANT!

- Le gabarit est une simple feuille dont un côté est utilisé pour le panneau de la porte gauche/ le panneau de tiroir, et l'autre côté, pour le panneau de la porte droite.
- Le gabarit doit être placé sur la face arrière du panneau de porte.



Utilisation du gabarit d'installation (pour le panneau de la porte française droite)

2 Marquez les emplacements de perçage des trous de vis pour le support d'accrochage gauche et les supports latéraux. Percez des trous de vis de 3/32 po (2 mm) aux emplacements marqués.

4 Marquez les emplacements de perçage des trous de vis pour le support d'accrochage droit et les supports latéraux. Percez des trous de vis de 3/32 po (2 mm) aux emplacements marqués.

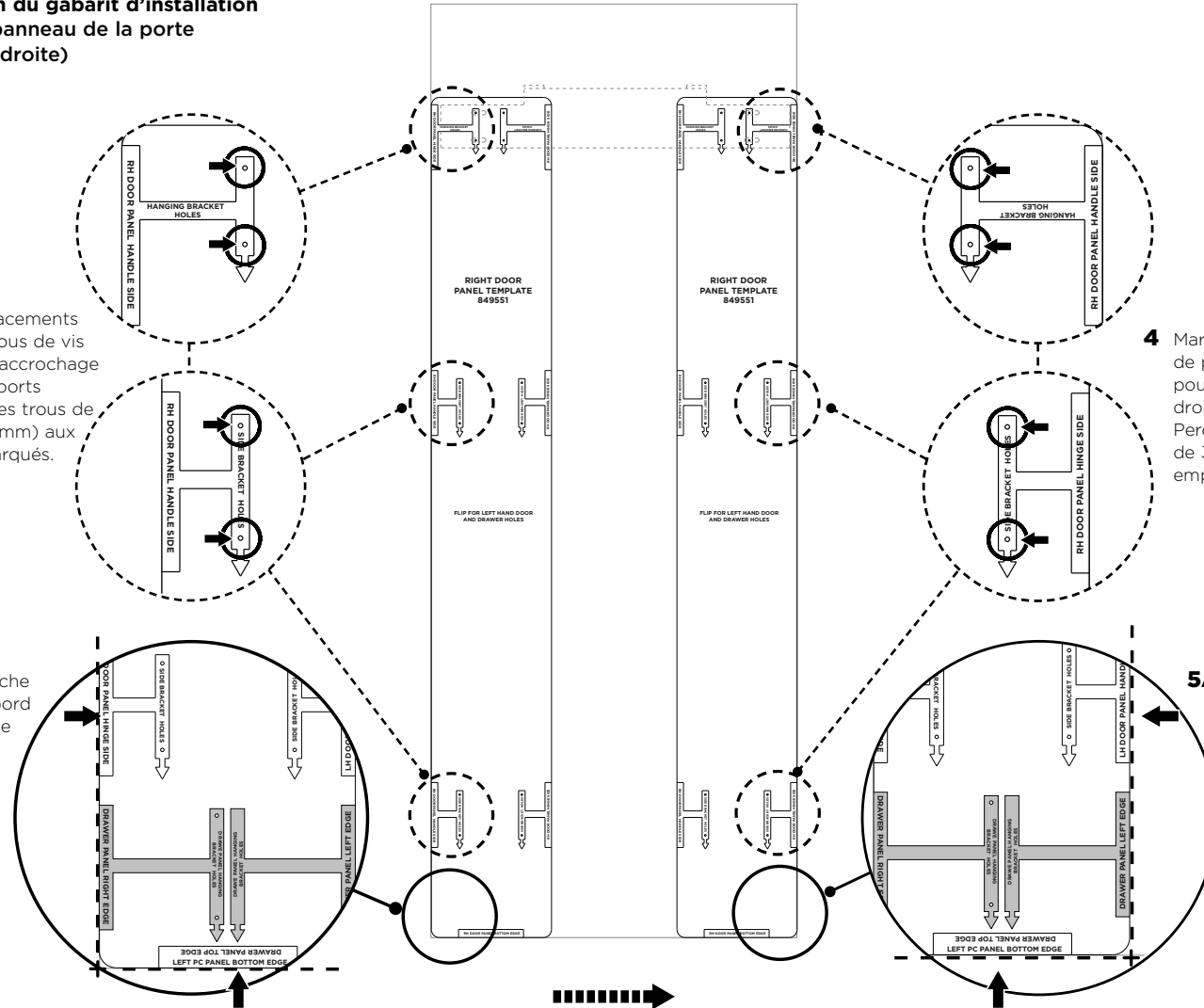
1A Alignez le rebord gauche du gabarit avec le rebord gauche du panneau de porte supérieur.

5A Alignez le rebord droit du gabarit avec le rebord droit du panneau de porte supérieur.

1B Alignez le bas du gabarit avec le rebord inférieur du panneau de porte supérieur.

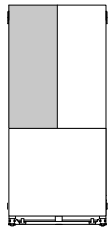
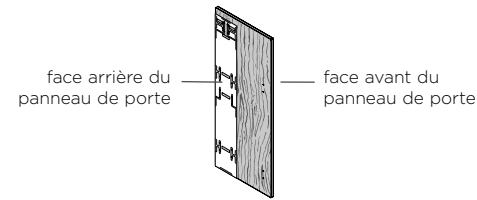
3 Déplacez le même gabarit sur le côté droit du panneau de porte.

5B Alignez le bas du gabarit avec le rebord inférieur du panneau de porte supérieur.



IMPORTANT!

- Retournez le gabarit pour l'utiliser avec le panneau supérieur de la porte droite.
- Le gabarit doit être placé sur la face arrière du panneau de porte.



Utilisation du gabarit d'installation (pour le panneau de la porte française gauche)

2 Marquez les emplacements de perçage des trous de vis pour le support d'accrochage gauche et les supports latéraux. Percez des trous de vis de 3/32 po (2 mm) aux emplacements marqués.

4 Marquez les emplacements de perçage des trous de vis pour le support d'accrochage droit et les supports latéraux. Percez des trous de vis de 3/32 po (2 mm) aux emplacements marqués.

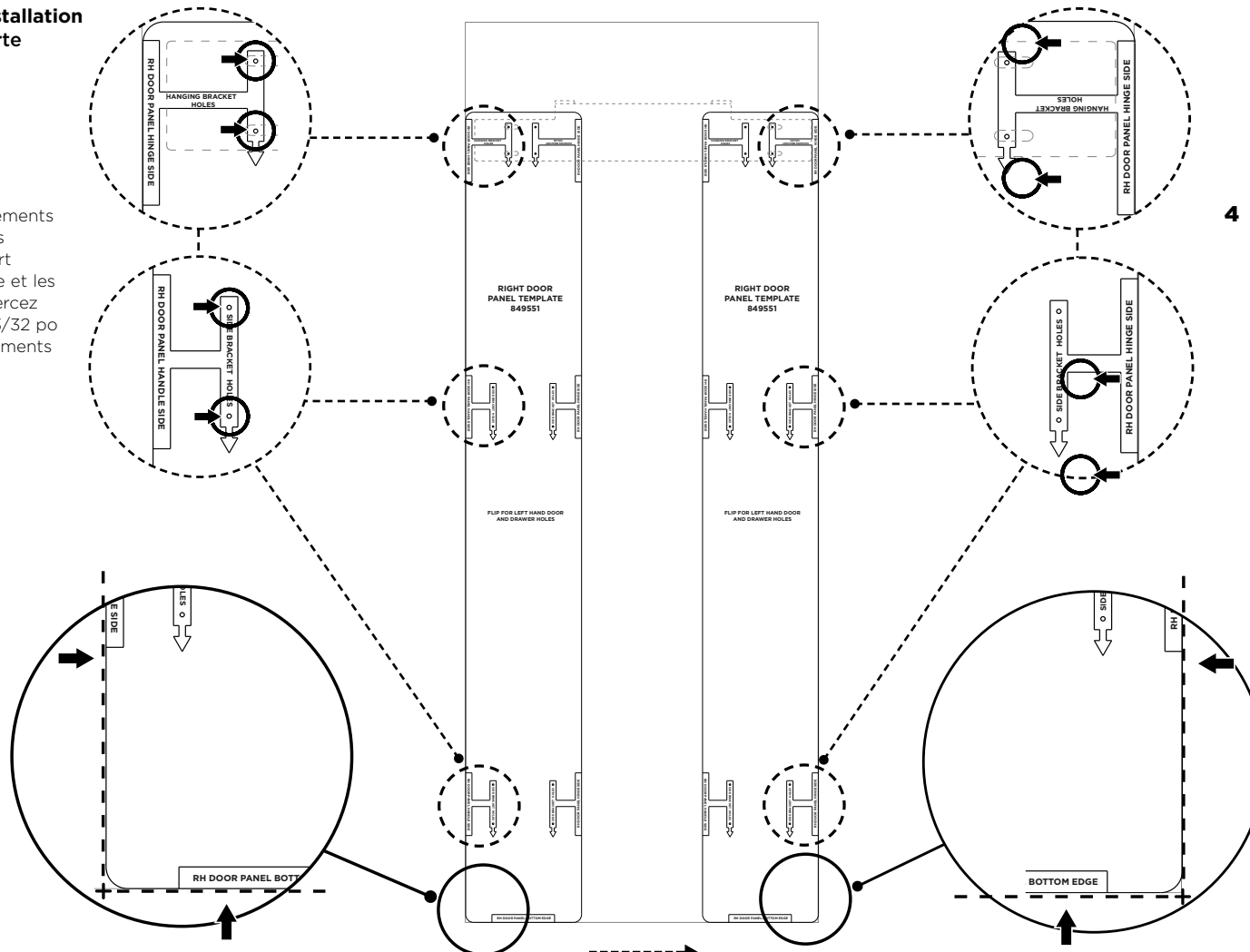
1A Alignez le rebord gauche du gabarit avec le rebord gauche du panneau de porte supérieur.

5A Alignez le rebord droit du gabarit avec le rebord droit du panneau de porte supérieur.

1B Alignez le bas du gabarit avec le rebord inférieur du panneau de porte supérieur.

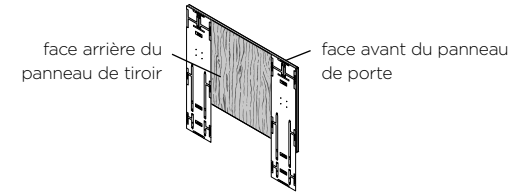
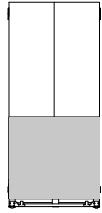
3 Déplacez le même gabarit sur le côté droit du panneau de porte.

5B Alignez le bas du gabarit avec le rebord inférieur du panneau de porte supérieur.

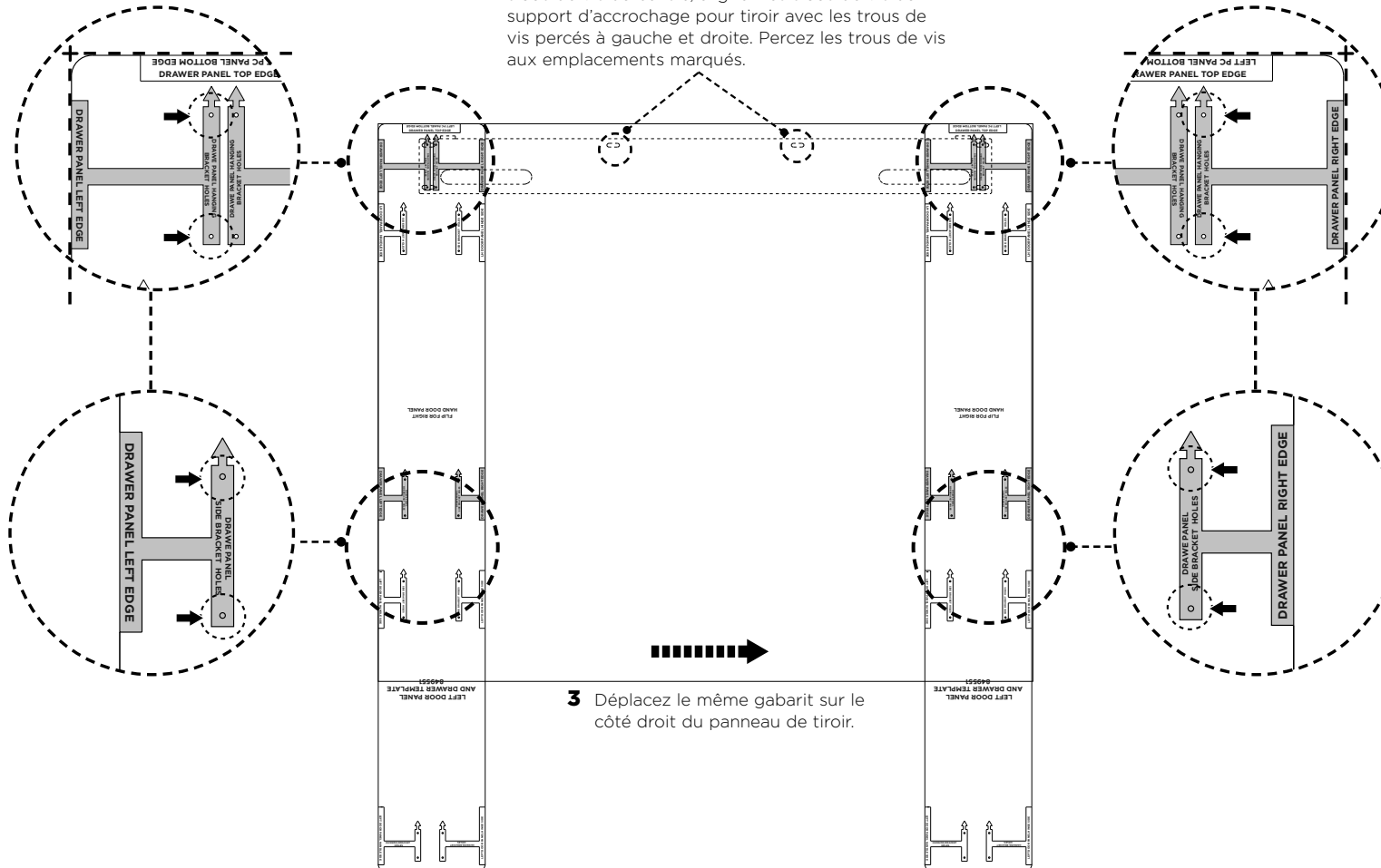


IMPORTANT!

- Utilisez le gabarit du panneau de porte gauche pour le panneau de tiroir.
- Placez le gabarit sur la face arrière du panneau de tiroir.


Utilisation du gabarit d'installation (pour le panneau de tiroir)


- 1A** Alignez le haut du gabarit avec le rebord supérieur du panneau de tiroir.
- 1B** Alignez le rebord gauche du gabarit avec le rebord gauche du panneau de tiroir.
- 2** Marquez les emplacements de perçage des trous de vis pour le support d'accrochage gauche et les supports latéraux. Percez des trous de vis de 3/32 po (2 mm) aux emplacements marqués..



- 6** Pour marquer les emplacements de perçage des trous de vis du centre, alignez les trous de vis du support d'accrochage pour tiroir avec les trous de vis percés à gauche et droite. Percez les trous de vis aux emplacements marqués.

- 4A** Alignez le haut du gabarit avec le rebord supérieur du panneau de tiroir.
- 4B** Alignez le rebord droit du gabarit avec le rebord droit du panneau de tiroir.
- 5** Marquez les emplacements de perçage des trous de vis pour le support d'accrochage gauche et les supports latéraux. Percez des trous de vis de 3/32 po (2 mm) aux emplacements marqués.

- 3** Déplacez le même gabarit sur le côté droit du panneau de tiroir.

20 INSTALLATION DE PANNEAU DE PORTE – SUR MESURE

Boîte interne

Ensemble de fixation de panneau de porte

B



Support latéral (10)



Bande latérale (10)



Vis rondelle n° 8x16 (Sur mesure) (34)

Ensemble de poignée de porte

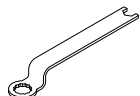


Vis à tête creuse cylindrique M5x25 (12x)

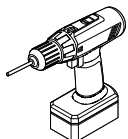
Outils



Clé hexagonale



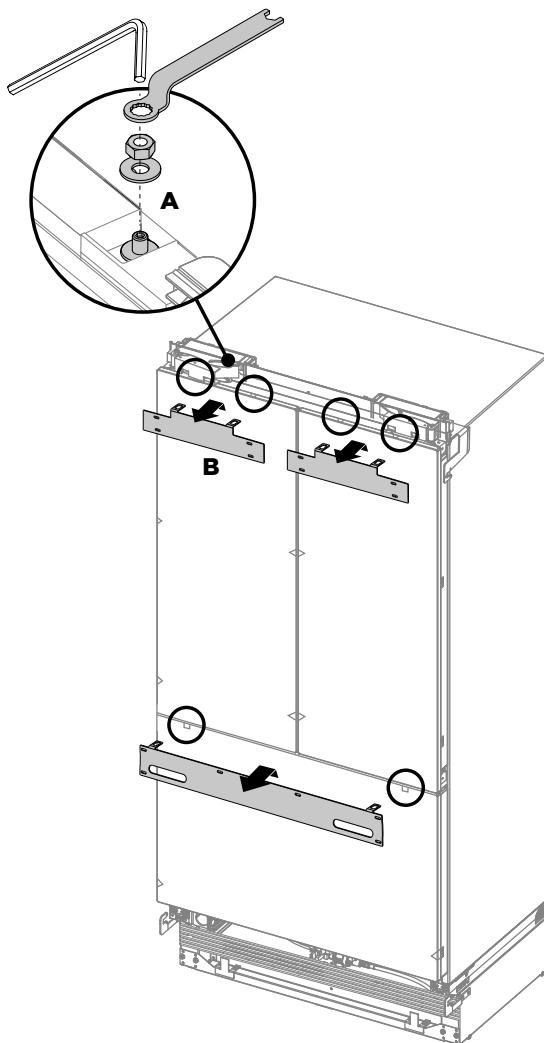
Clé FPA



Visseuse électrique (optionnelle)

Retrait des supports d'accrochage

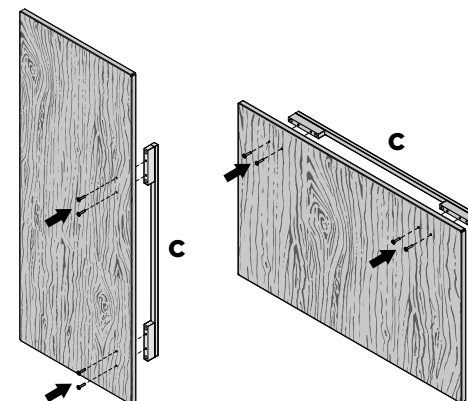
- 1 Retirez les rondelles M8 et les écrous M8 des goujons M8 dans le haut de la porte (A). Conservez les rondelles et écrous pour les réutiliser ultérieurement.
- 2 Retirez le support d'accrochage du haut de chaque porte et mettez-le de côté (B) pour l'installation ultérieure.



Fixation des poignées de porte et de tiroir (C)

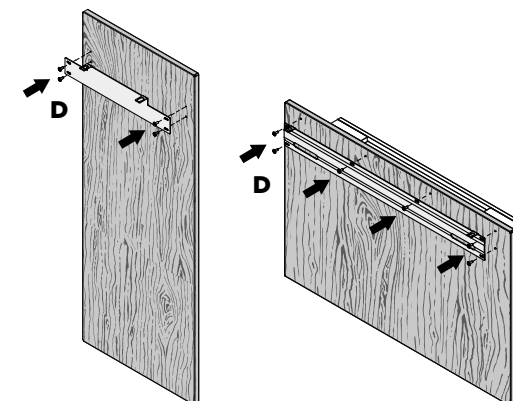
- 3 Alignez les trous de poignée avec les trous du panneau de porte, puis fixez à l'aide de vis à tête creuse cylindrique M5x25 (4 pour chaque panneau de porte).

Remarque : L'ensemble de poignée de porte doit être acheté séparément. Reportez-vous à 'Pièces' (page 3-5) pour plus de détails.



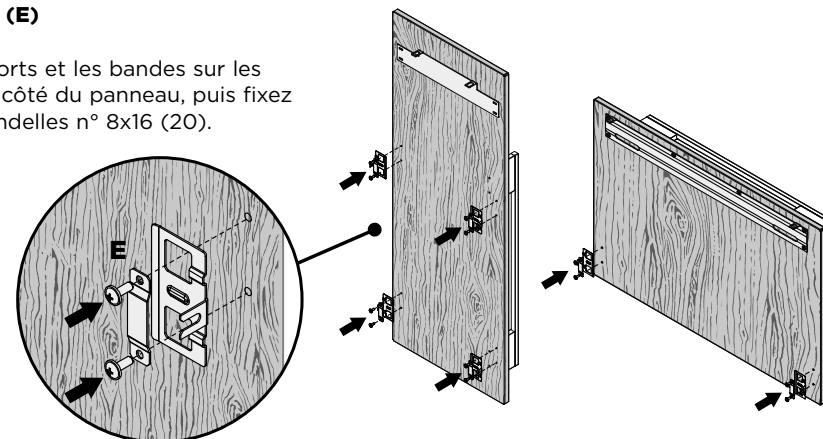
Fixation des supports d'accrochage (D)

- 4 Alignez le support sur les trous, puis fixez à l'aide de vis rondelles n° 8x16 (14).

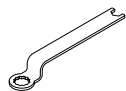


Fixation des supports latéraux et des bandes latérales (E)

- 5 Alignez les supports et les bandes sur les trous de chaque côté du panneau, puis fixez à l'aide de vis rondelles n° 8x16 (20).



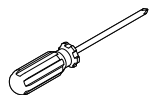
Outils



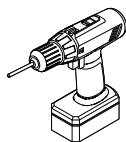
Clé FPA



Clé hexagonale



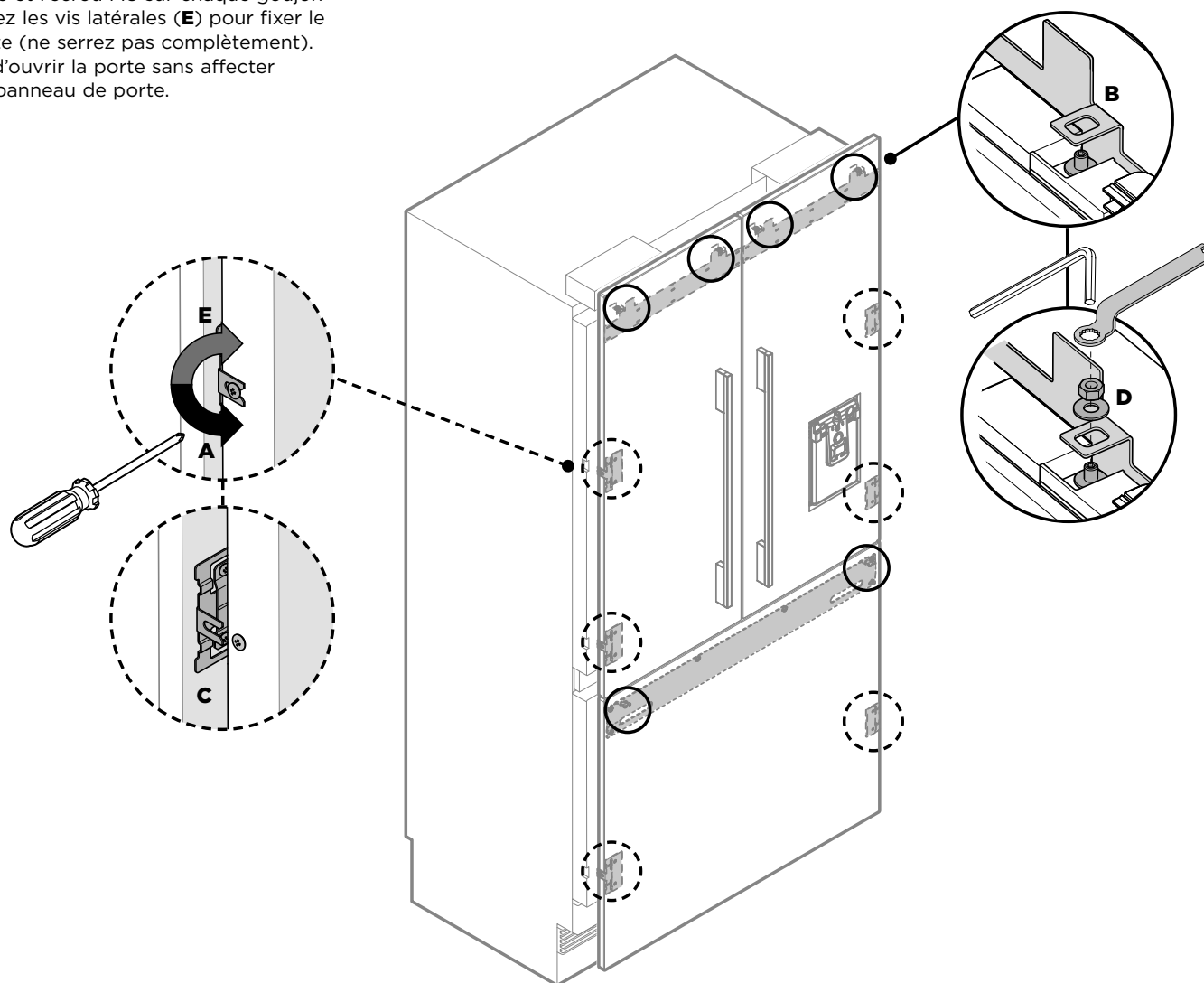
Tournevis cruciforme



Visseuse électrique
(optionnelle)

Fixation des panneaux de portes

- ① Ouvrez la porte et desserrez les vis cruciformes M5x10 (ne les retirez pas) sur les côtés des portes (**A**).
- ② Suspendez le panneau de porte en insérant les goujons M8 dans les trous du support d'accrochage (**B**).
- ③ Glissez les fourches des supports latéraux sur les vis de la porte (**C**).
- ④ Vissez la rondelle et l'écrou M8 sur chaque goujon (**D**), puis resserrez les vis latérales (**E**) pour fixer le panneau de porte (ne serrez pas complètement). Cela permettra d'ouvrir la porte sans affecter l'ajustement du panneau de porte.

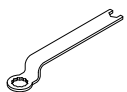


B Ensemble de fixation de panneau de porte



Vis rondelle n° 8x16 (Sur mesure) (2)

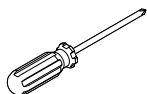
Outils



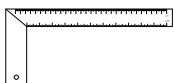
Clé FPA



Clé hexagonale



Tournevis cruciforme



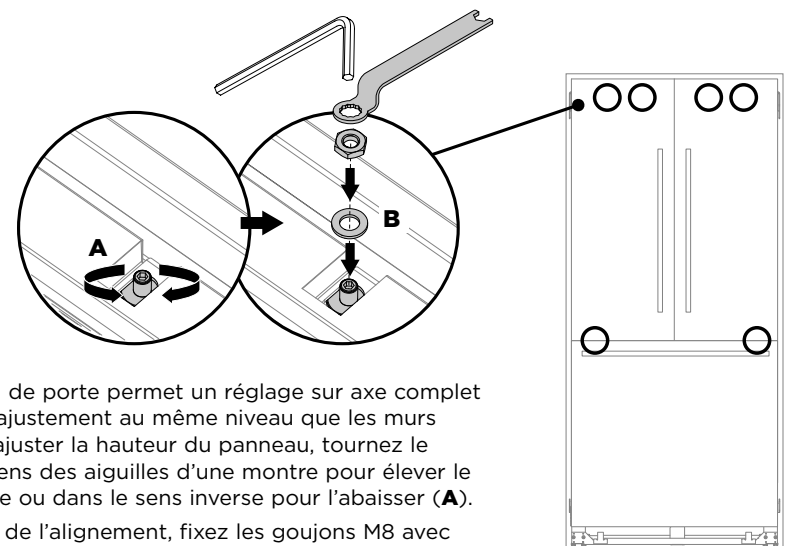
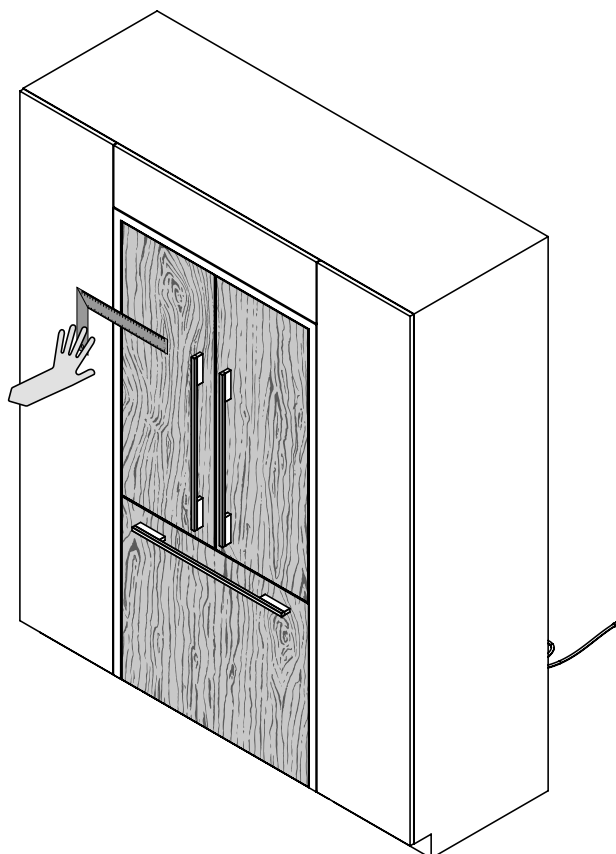
Règle

IMPORTANT!

- Suivez ces étapes pour éviter des difficultés lors de l'ajustement du panneau de porte et l'installation du capuchon esthétique.

Ajustement des panneaux de portes

- 1 Placez une règle sur le devant du produit pour vérifier son alignement, du haut vers le bas et de gauche à droite.
 - Assurez-vous que l'espace entre le dessus du panneau de porte et l'armoire du haut ne soit pas supérieur à 1/4 po (7 mm).
 - Pour réduire cet espace, élevez le produit en tournant les quatre écrous d'ajustement du même nombre de tours.

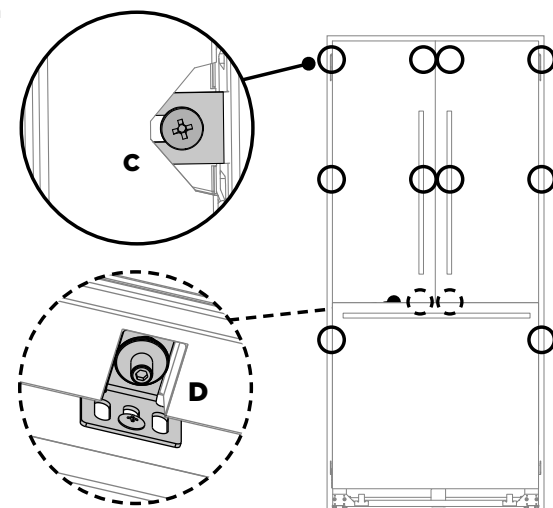


- 2 Chaque panneau de porte permet un réglage sur axe complet pour assurer un ajustement au même niveau que les murs adjacents. Pour ajuster la hauteur du panneau, tournez le goujon dans le sens des aiguilles d'une montre pour élever le panneau de porte ou dans le sens inverse pour l'abaisser (A).
- 3 Une fois satisfait de l'alignement, fixez les goujons M8 avec la rondelle M8 et l'écrou M8 (B). Le dessus du goujon doit demeurer sous la face supérieure du panneau de porte.
- 4 Fixez les fourches de support latéral en serrant les vis latérales (C).

Répétez pour tous les panneaux de portes.

Remarque :

- Pour l'ajustement en profondeur, desserrez les vis latérales (10), ajustez les panneaux, puis resserrez les vis lorsque vous êtes satisfait.
- Pour un ajustement supplémentaire des panneaux de portes, retirez les panneaux de portes et desserrez les vis de fixation du support d'accrochage, puis déplacez le support latéralement selon les besoins.



- 5 Desserrez le goujon M8 (D) de sorte que le support de verrouillage puisse glisser librement vers l'arrière.
 - Glissez le support de verrouillage vers l'extérieur jusqu'à ce qu'il touche à la partie arrière du panneau de porte. Serrez complètement le goujon M8.
 - Vissez-le en place en utilisant une vis n° 8x16 dans l'un des trois trous oblongs.

Boîte interne

Ensemble d'installation de support de fixation

G



Support de fixation (4)



Vis cruciforme à tête fraisée M5x8 (12)

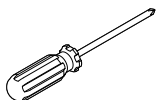


Cache-vis (4)

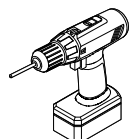


Vis à double filetage n° 8x19 (8)

Outils

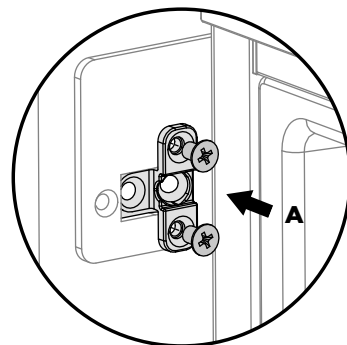
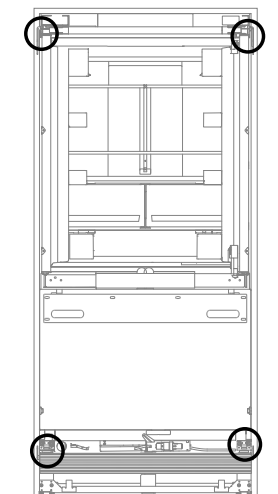


Tournevis cruciforme

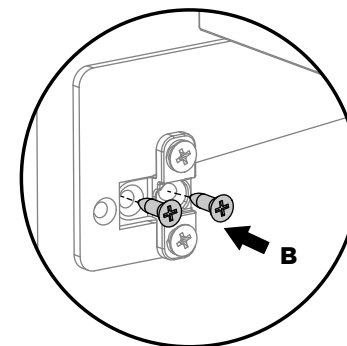
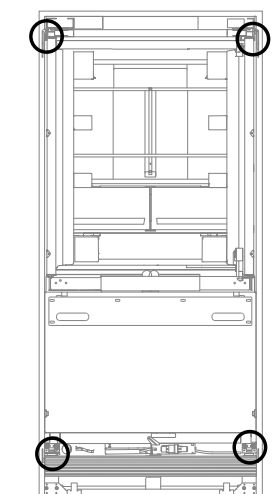


Visseuse électrique (optionnelle)

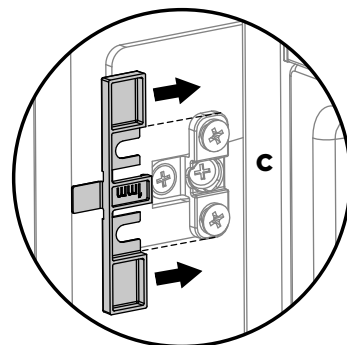
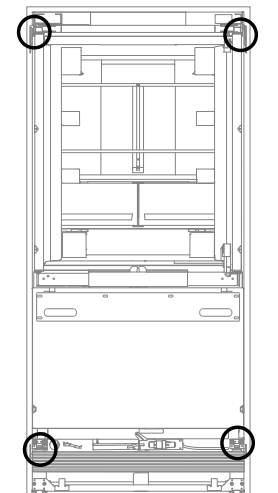
Installation des supports de fixation



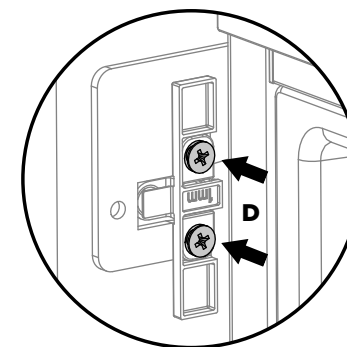
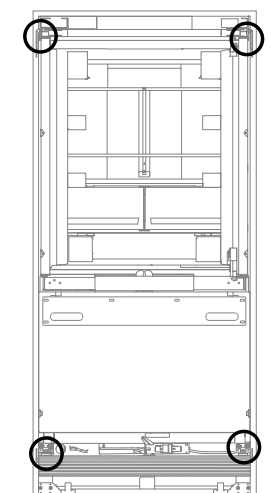
- ① Ouvrez doucement les portes françaises du réfrigérateur.
- ② Placez les supports de fixation sur les supports de base supérieurs et latéraux du produit, puis fixez-les à mi-chemin à l'aide de vis cruciformes à tête fraisée M5x8 (A).



- ③ Fixez le centre de chaque support de fixation sur le côté du mur adjacent à l'aide de vis à double filetage n° 8x19 (B).

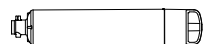


- ④ Glissez le cache-vis entre le support de fixation et le support latéral sur le produit (C).



- ⑤ Fixez le cache-vis en serrant les vis cruciformes à tête fraisée M5x8 (D).

Emballage d'articles divers



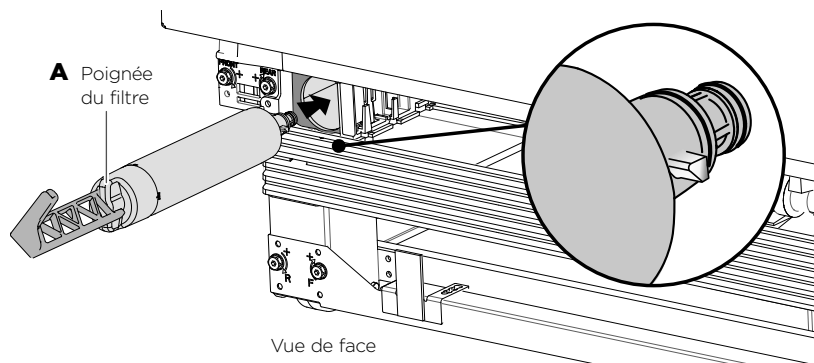
Filtre à eau (1)



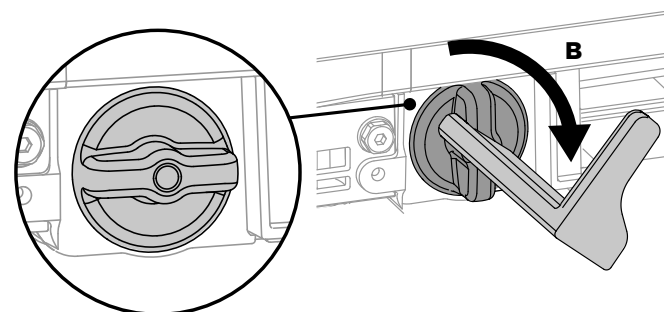
Outil de cartouche filtrante (1)

IMPORTANT!

- La tête du filtre à eau doit être enfoncée fermement dans le produit et fixée, car une installation incorrecte pourrait entraîner des fuites d'eau.



Vue de face



Filtre en position verrouillée

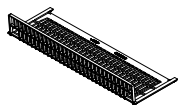
Installation du filtre à eau

- ① Retirez l'emballage en plastique du nouveau filtre.
- ② Ouvrez légèrement le tiroir de congélateur afin d'insérer le filtre à l'intérieur du boîtier dans le coin inférieur gauche du produit. Assurez-vous que la poignée du filtre soit positionnée à la verticale (A).
- ③ Poussez fermement la cartouche à l'intérieur du boîtier, complètement dans la tête de filtre.
- ④ Aligned l'outil de retrait de filtre sur la poignée du filtre et tournez de 90° dans le sens des aiguilles d'une montre pour serrer le filtre (B). Retirez l'outil de retrait de filtre et fermez le tiroir de congélateur.

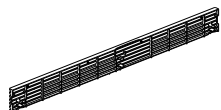
IMPORTANT!

- Avant de mettre en marche votre appareil à glaçons automatique, vous devez faire couler de l'eau dans le filtre pour éliminer les impuretés ou l'air emprisonné dans le réservoir d'eau et le système de filtration.
- Reportez-vous à 'Instructions d'utilisation – Appareil à glaçons automatique' dans le guide d'utilisation pour obtenir plus d'informations.

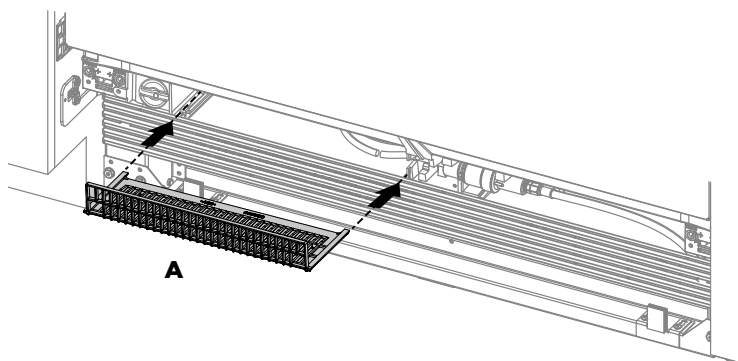
Boîte externe



Filtre de plinthe
(1)

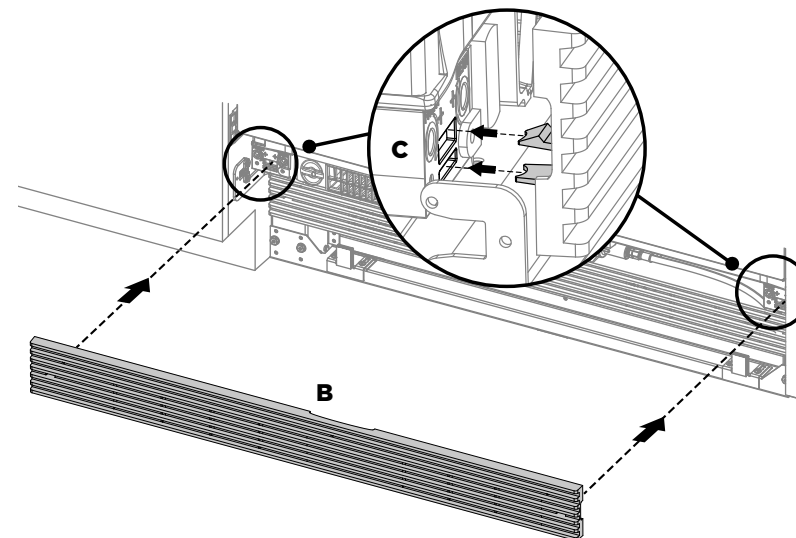


Grille du haut
(1)



Installation du filtre de plinthe

- ① Installez le filtre sur les rails, puis poussez jusqu'à ce qu'il s'enclenche solidement (**A**).



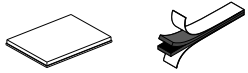
Installation de la grille du haut

- ② Alignez les clips de la grille du haut avec les fentes de la plinthe supérieure. Assurez-vous de placer la grille du haut dans le bon sens (**B**).
- ③ Poussez la grille fermement sur le produit jusqu'à ce que les clips s'enclenchent (**C**).

Boîte interne

Ensemble d'installation de garniture de porte/tiroir

E



Languettes adhésives double face (2)

Z Pièces diverses



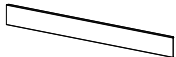
Vis à tête cylindrique n° 8x16 (3)

Emballage d'articles divers



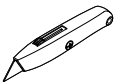
Diviseur de débit d'air (1)

Boîte externe

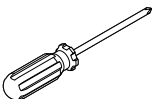


Plinthe (1)

Outils



Couteau à lame rétractable



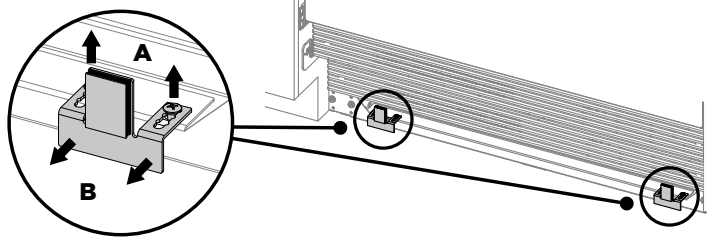
Tournevis cruciforme

IMPORTANT!

- Le produit standard est fourni avec une plinthe en acier inoxydable de 4 po (102 mm) et les pièces de montage requises pour l'installation de la plinthe.
- Les clients peuvent également fournir leur propre plinthe sur mesure de 4 à 6 po (102 à 152 mm) pour l'encastrement complet du produit.

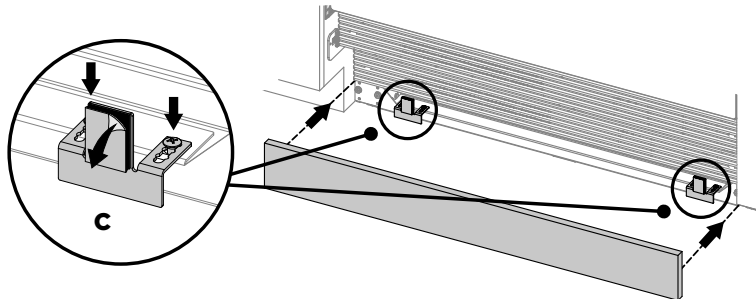
Pour une plinthe standard — 4 po (102 mm)

- ① Desserrez les vis des supports de la plinthe (A) à mi-chemin, puis déplacez les supports vers l'avant (B).

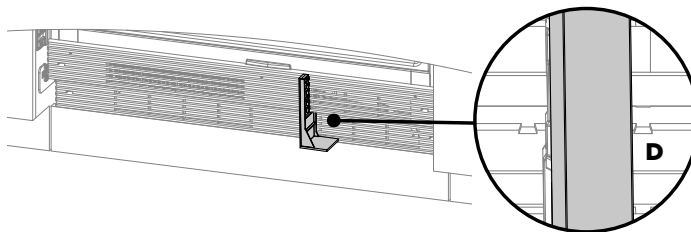


- ② Préalignez la plinthe en la plaçant devant les supports, jusqu'à ce qu'elle soit au même niveau que les armoires à proximité. Une fois satisfait de l'alignement, mettez la plinthe de côté et serrez les vis de support afin de verrouiller les supports en position.

- ③ Enlevez l'endos adhésif d'un côté des languettes adhésives double face, puis fixez-les aux supports. Enlevez l'endos adhésif de l'autre côté des languettes adhésives double face, puis fixez la plinthe (C).

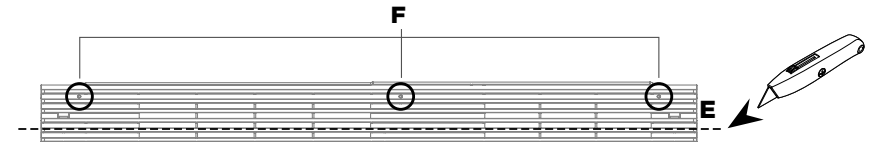


- ④ Alignez le diviseur de débit d'air sous l'indicateur de languettes de la grille, puis fixez-le sur les ailettes de la grille inférieure (D).



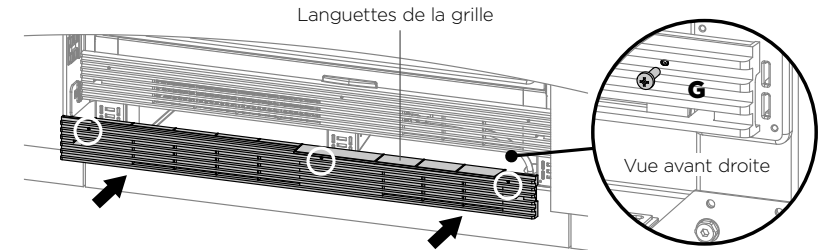
Pour une plinthe sur mesure dont la hauteur est supérieure à 4 po (102 mm)

- ⑤ Retirez la grille inférieure dans le bas du produit.
- ⑥ Mesurez la hauteur requise pour la grille inférieure. Sur un carton, découpez/taillez avec soin les ailettes non requises dans le bas de la grille de plinthe, puis jetez-les (E).
- ⑦ Percez des trous de Ø 5/32 po (4 mm) dans les encoches de la grille (F).

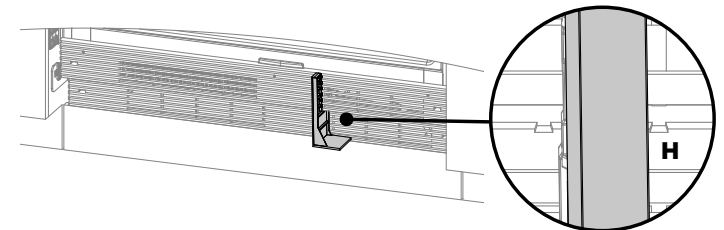


Découpez avec soin les ailettes non requises dans le bas de la grille

- ⑧ Avec les languettes de la grille orientées vers le haut, alignez la grille sur le bas de la plinthe de l'appareil, à l'endroit où les trous de vis sont situés, puis fixez-la à l'aide de vis à tête cylindrique n° 8x16 (G).



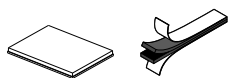
- ⑨ Alignez le diviseur de débit d'air sous l'indicateur de languettes de la grille, puis fixez-le sur les ailettes de la grille inférieure (H).



Boîte interne

Ensemble d'installation de garniture de porte/tiroir

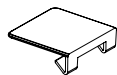
C



Languettes adhésives double face (10)

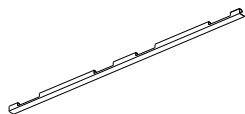


Couvercle latéral (4)

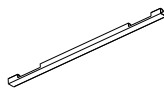


Couvercle supérieur (2)

Boîte externe



Garniture latérale de porte (2)



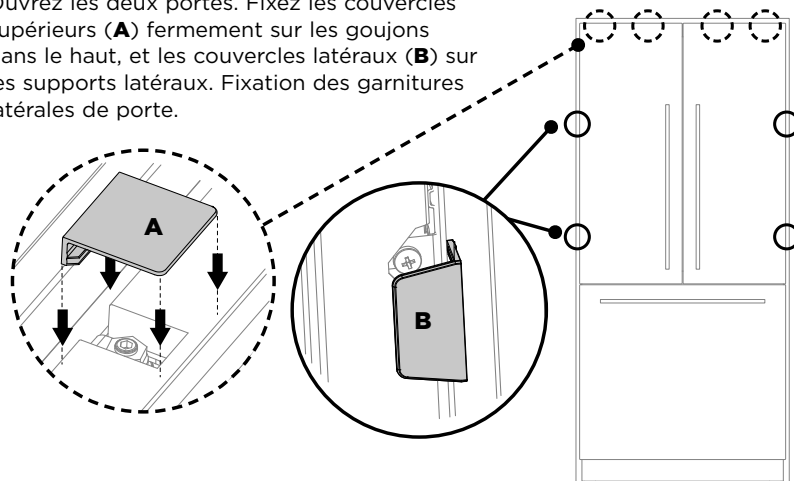
Garniture latérale de tiroir (2)



Garniture supérieure de tiroir (1)

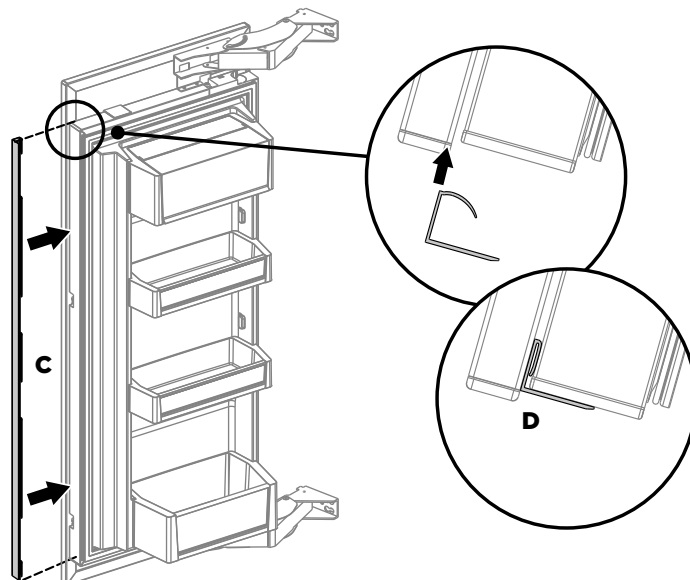
Fixation des couvercles

- ① S'il y a lieu, retirez la pellicule protectrice restante de vos panneaux de portes.
- ② Ouvrez les deux portes. Fixez les couvercles supérieurs (A) fermement sur les goujons dans le haut, et les couvercles latéraux (B) sur les supports latéraux. Fixation des garnitures latérales de porte.



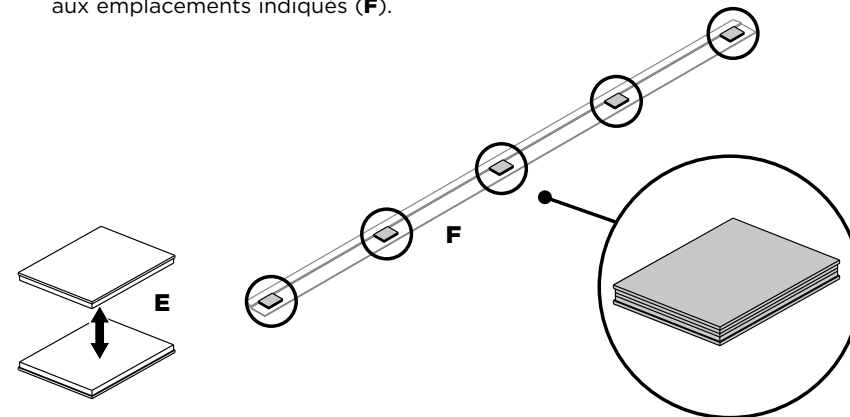
Fixation des garnitures latérales de porte

- ③ Installez les garnitures latérales en les insérant dans l'espace du panneau de chaque côté de la ou des porte(s) (C). Alignez la garniture avec le haut de la porte, puis enfoncez-la uniformément dans l'espace du panneau jusqu'à ce qu'elle soit complètement logée (D).

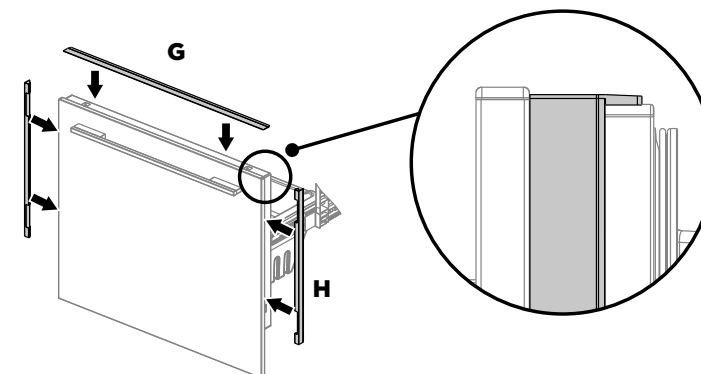


Fixation des garnitures supérieure et latérales de tiroir

- ④ Appuyez ensemble des languettes adhésives double face pour former des paires (E), puis enlevez l'endos adhésif d'un côté seulement.
- ⑤ Appuyez fermement sur le dessous de la garniture supérieure de tiroir, aux emplacements indiqués (F).



- ⑥ Enlevez l'endos adhésif restant des languettes adhésives double face.
- ⑦ Placez la garniture contre la surface arrière du panneau, puis appuyez fermement. Assurez-vous que la garniture repose complètement contre la surface du tiroir (G).
- ⑧ Installez les garnitures latérales en les insérant dans l'espace du panneau de chaque côté de la ou des porte(s) (H).
 - Assurez-vous que le bâti soit centré pour éviter toute obstruction avec les garnitures latérales.



CHOISISSEZ L'UNE DES DEUX MÉTHODES D'INSTALLATION DES GARNITURES LATÉRALES DE BÂTI :

[A] MÉTHODE AVEC CLIP DE FIXATION FLEXIBLE – MÉTHODE RECOMMANDÉE [B] MÉTHODE AVEC VIS FIXÉE – MÉTHODE À UTILISER SI LES ARMOIRES NE SONT PAS CONFORMES AUX SPÉCIFICATIONS

(Essayez la méthode [A]. Si la méthode [A] ne permet pas l'ajustement adéquat des garnitures latérales parce que les armoires sont inégales ou non conformes aux spécifications, utilisez la méthode [B].)

25 INSTALLATION DES GARNITURES DE BÂTI – [A] MÉTHODE AVEC CLIP DE FIXATION FLEXIBLE

Boîte interne

Ensemble d'installation de garniture latérale de bâti

D

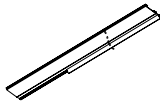


Support de garniture latérale (6)



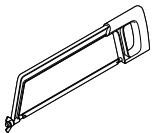
Clip de fixation (6)

Boîte externe



Garniture latérale de bâti (2)

Outils



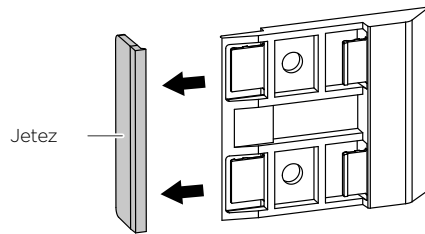
Scie à métaux



Crayon

- 1 Brisez la languette de référence sur chaque support de garniture latérale, puis jetez-la.

Répétez cette étape pour tous les supports de garniture latérale.



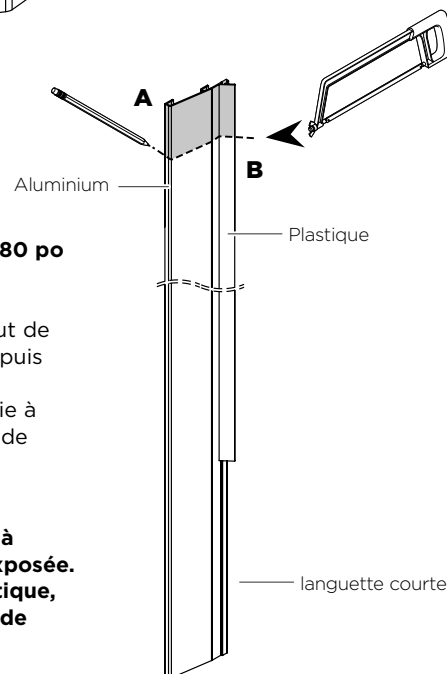
Pour l'installation dans une cavité de 80 po (2 032 mm) uniquement

- 2 Mesurez 4 po (102 mm) à partir du haut de la garniture latérale avec une équerre, puis marquez une ligne de découpage (A).
- 3 Coupez le long de la ligne avec une scie à dents fines pour obtenir une longueur de 76 po (1 930 mm) (B).

IMPORTANT!

- Assurez-vous de couper bien droit et à l'équerre, car il s'agit d'une surface exposée.
- Veillez à ne pas plier la pièce de plastique, car cela pourrait causer des marques de contrainte visibles.

Répétez cette étape pour toutes les garnitures latérales.



- 4 Placez 3 supports de garniture latérale sur chaque garniture latérale.

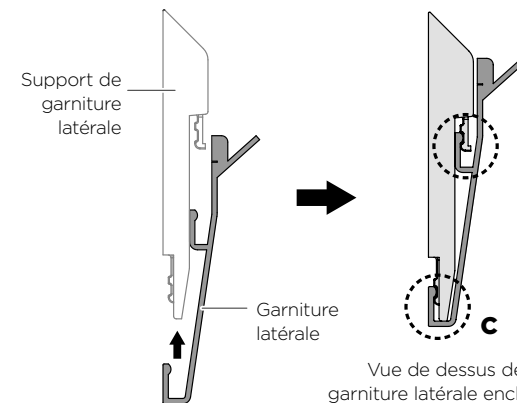
Remarque : Mesurez à partir du haut de la garniture, avec la languette courte vers le bas.

Reportez-vous à (B) pour l'orientation de la garniture et les emplacements de support des installations de 80 po et 84 po.

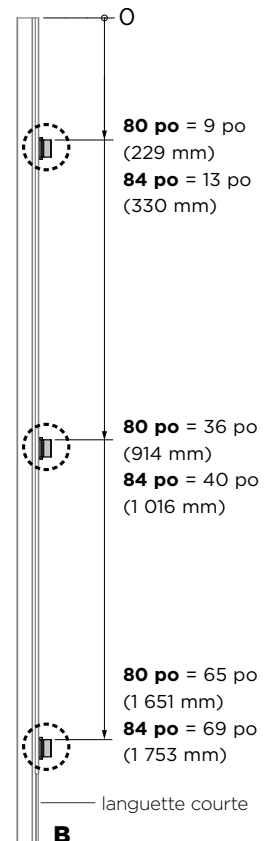
IMPORTANT!

Chaque support comporte deux points d'enclenchement permettant d'installer la garniture latérale. Assurez-vous d'enclencher la garniture aux deux points (C).

Répétez cette étape pour toutes les garnitures latérales.



Vue de dessus de la garniture latérale enclenchée correctement dans le support de garniture latérale

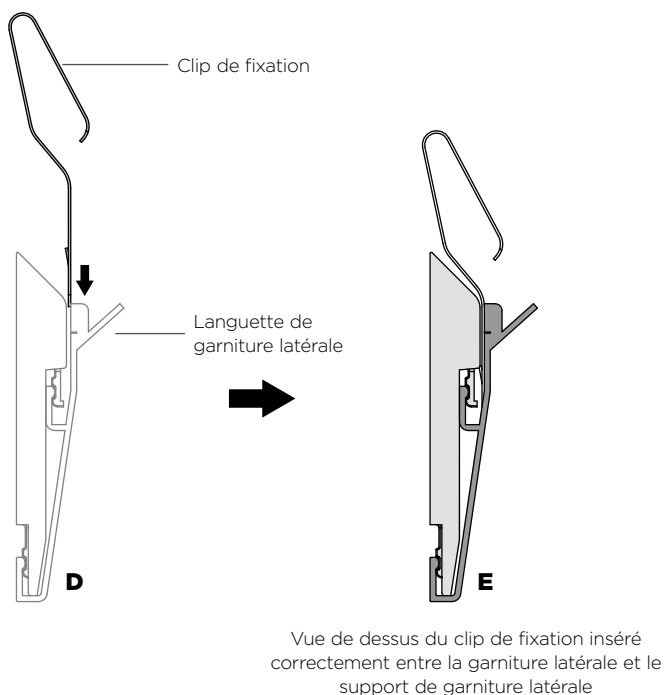


- ⑤ Insérez le clip de fixation dans l'espace entre la garniture latérale et le support de garniture latérale, en l'orientant comme dans les illustrations (D) et (E).

IMPORTANT!

Assurez-vous d'orienter correctement le clip de fixation, avec la boucle ouverte vers la languette de la garniture latérale.

Répétez cette étape pour toutes les garnitures latérales.



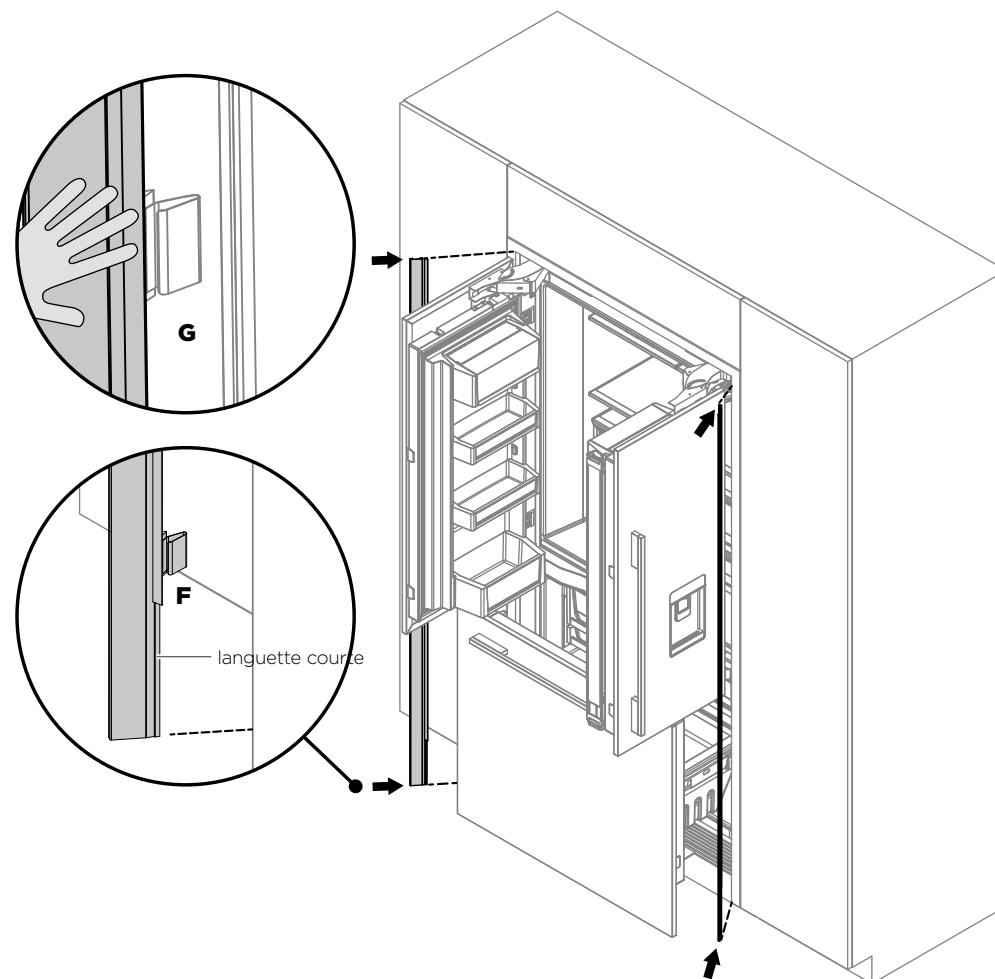
- ⑥ Ouvrez les portes françaises. Placez la garniture latérale assemblée avec les supports et clips de fixation contre la paroi de l'alcôve, en orientant la languette courte vers le bas (F).

IMPORTANT!

Assurez-vous de positionner la garniture latérale aussi haut que possible.

Poussez la garniture latérale à chaque emplacement de support, jusqu'à ce qu'il n'y ait aucun espace visible entre la garniture et l'armoire (G).

Répétez cette étape pour toutes les garnitures latérales.



Boîte interne

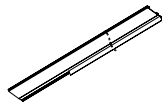
Ensemble
d'installation
de garniture
latérale de bâti

Support de garniture latérale (6)



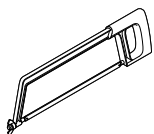
Vis rondelle n° 8x16 (12)

Boîte externe

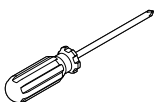


Garniture latérale de bâti (2)

Outils



Scie à métaux



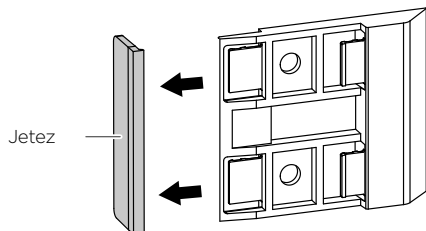
Tournevis cruciforme



Crayon

- 1 Brisez la languette de référence sur chaque support de garniture latérale, puis jetez-la.

Répétez cette étape pour tous les supports de garniture latérale.

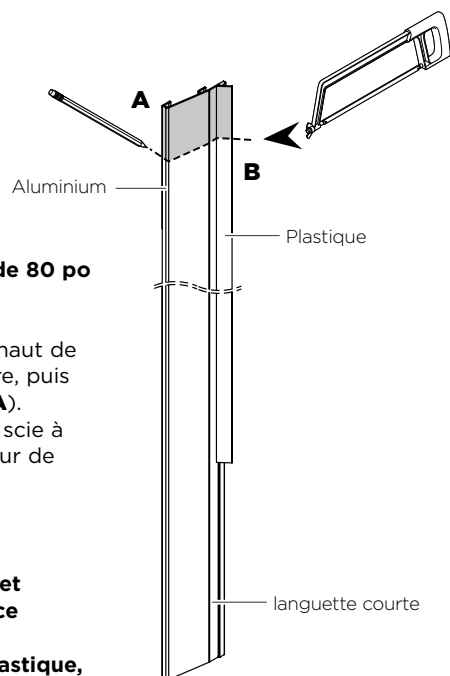
Pour l'installation dans une cavité de 80 po
(2 032 mm) uniquement

- 2 Mesurez 4 po (102 mm) à partir du haut de la garniture latérale avec une équerre, puis marquez une ligne de découpage (A).
- 3 Coupez le long de la ligne avec une scie à dents fines pour obtenir une longueur de 76 po (1 930 mm) (B).

IMPORTANT!

- Assurez-vous de couper bien droit et à l'équerre, car il s'agit d'une surface exposée.
- Veillez à ne pas plier la pièce de plastique, car cela pourrait causer des marques de contrainte visibles.

Répétez cette étape pour la garniture latérale restante.

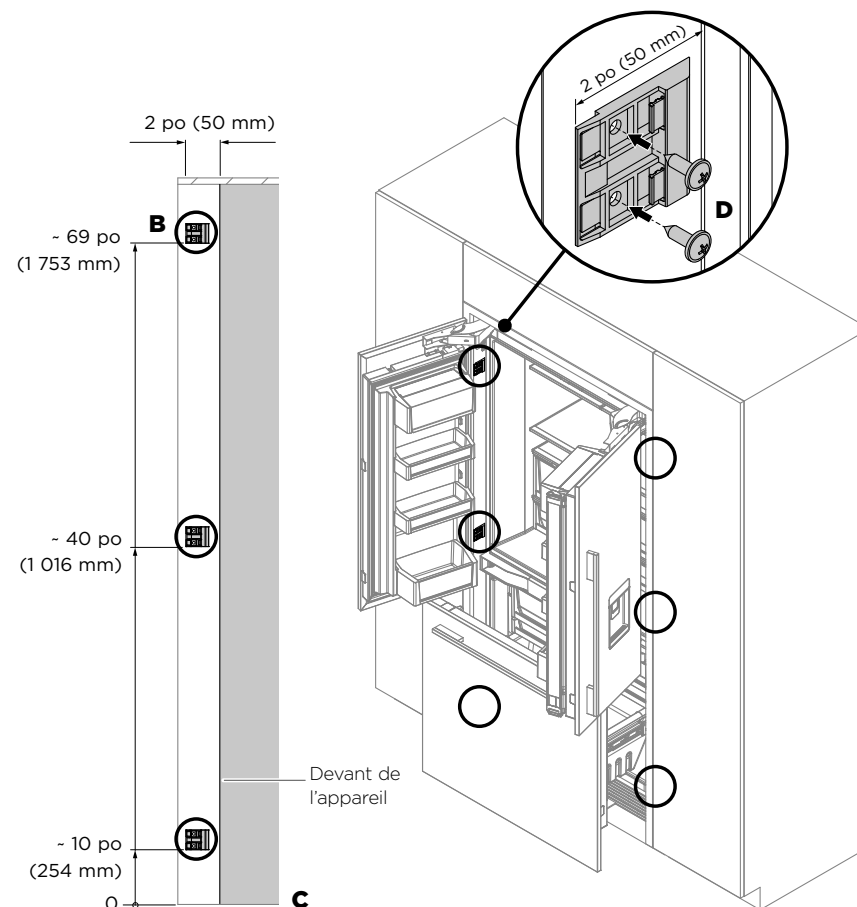


- 4 Placez trois supports de garniture latérale sur une garniture latérale. Reportez-vous à (B) pour connaître les emplacements des supports.
- 5 Ouvrez les portes françaises. Mesurez 2 po (50 mm) du devant de l'appareil (depuis l'arrière des portes) vers le devant de l'alcôve, puis marquez une ligne verticale précise (C).
- 6 Alignez le bord du support sur la ligne marquée, puis fixez le support à l'armoire à l'aide de vis rondelles n° 8x16 (D).

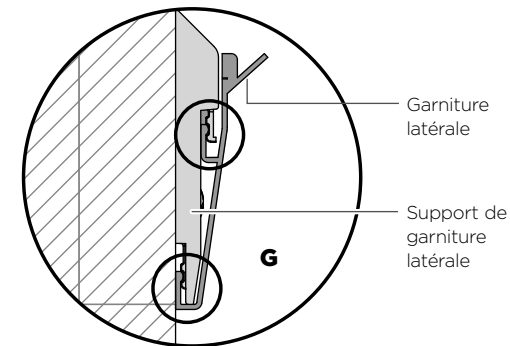
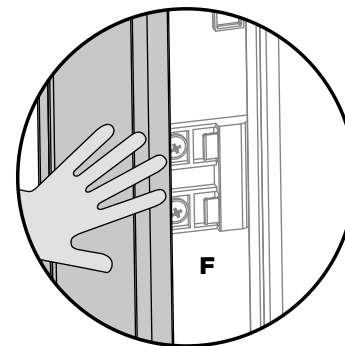
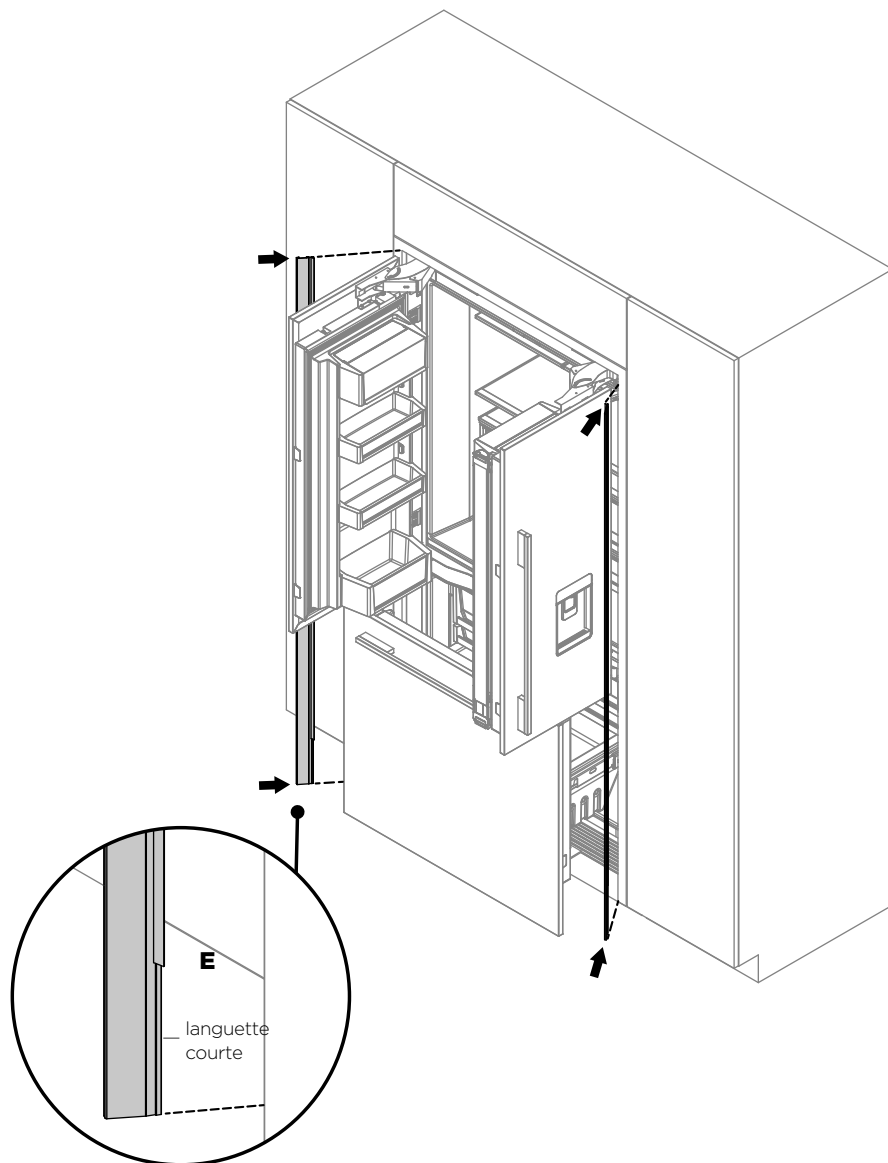
Répétez sur l'autre côté.

IMPORTANT!

Un positionnement imprécis du support peut entraîner l'incapacité à installer la garniture latérale ou un espace entre la garniture latérale et le réfrigérateur.



- ⑦ Placez la garniture latérale contre la paroi de l'alcôve, avec la languette courte orientée vers le bas (E).
- Assurez-vous de positionner la garniture latérale aussi haut que possible.



Vue de dessus de la garniture latérale enclenchée correctement dans le support de garniture latérale

- ⑧ Enclenchez la garniture latérale dans les supports en poussant la garniture vers l'intérieur aux emplacements des supports de garniture latérale du haut et du centre.
- ⑨ Une fois la garniture enclenchée dans les supports du haut et du centre, poussez sur la garniture latérale pour l'enclencher à l'emplacement du support du bas (F).

Répétez cette étape pour les garnitures latérales restantes.

IMPORTANT!

- Chaque support comporte deux points d'enclenchement permettant d'installer la garniture. Assurez-vous d'enclencher la garniture aux deux points (G).
- Assurez-vous qu'il n'y ait aucun espace visible entre le produit et les garnitures latérales.
- Ajustez les espaces en desserrant les vis de garniture latérale afin de déplacer la garniture dans les limites convenables. Si des ajustements supplémentaires sont requis, déplacez les supports à l'endroit souhaité.



À ÊTRE REMPLIE PAR L'INSTALLATEUR

Tous les modèles

- Assurez-vous de retirer tous les matériaux d'emballage internes et externes du produit avant l'utilisation.
- Vérifiez que toutes les pièces sont installées.
- Assurez-vous que le produit est de niveau.
- Assurez-vous que le produit est fixé solidement aux armoires à l'aide du support antibasculement et des raccords fournis.
- Assurez-vous que les portes/le tiroir peuvent s'ouvrir et se fermer facilement, sans aucune résistance causée par les armoires à proximité.
- Assurez-vous que la tige de limitation de charnière est ajustée pour une rotation de porte à 90°.

Modèles Glaçons et eau uniquement

- Assurez-vous de rincer le système de filtration d'eau.
- Assurez-vous d'activer manuellement un cycle de l'appareil à glaçons.

Remplir et conserver pour référence ultérieure :

Modèle _____

N° de série _____

Date d'achat _____

Acheteur _____

Adresse du détaillant _____

Nom de l'installateur _____

Signature de l'installateur _____

Entreprise d'installation _____

Date de l'installation _____

FISHERPAYKEL.COM

© Fisher & Paykel Products 2019. Tous droits réservés.
Les caractéristiques de produit présentées dans ce livret s'appliquent aux modèles et produits spécifiques qui y sont décrits à la date de publication. Dans le cadre de notre politique d'amélioration en permanence de nos produits, ces caractéristiques peuvent être modifiées à tout moment. Nous vous recommandons de vérifier auprès de votre détaillant que ce livret décrit le produit actuellement disponible.